

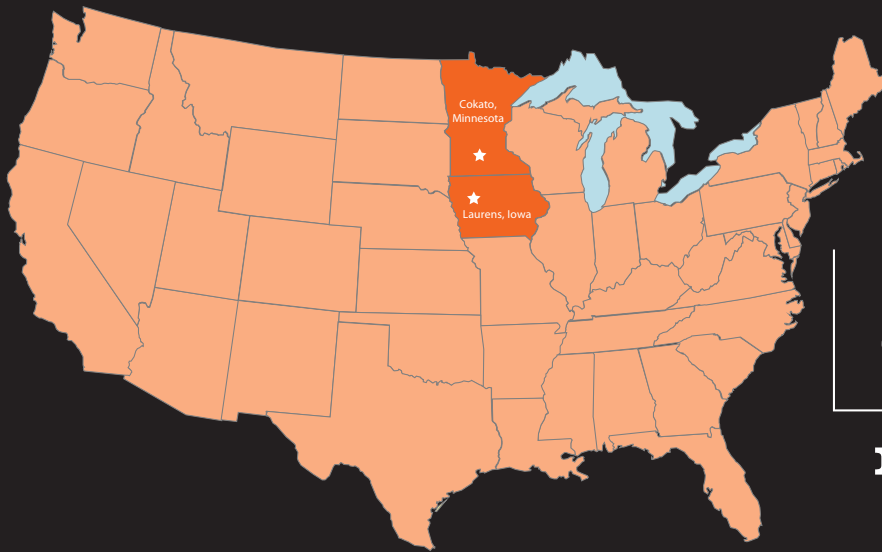


PALADIN UTILITY

*We're Breaking
New Ground!*

DIGGER DERRICKS & PRESSURE DIGGERS

MD Product Catalog



PALADIN UTILITY

Pengo was established in 1950 near San Francisco, California to design and manufacture utility industry equipment to pull and tension high voltage transmissions lines. The company later developed augers to drill efficiently in conditions, which, at the time, were considered extremely difficult. Within a few years, Pengo held over 169 patents, most of which are still the basis for current drilling industry standards. The Aggressor™ auger line is the latest patented product that has been chosen by the leading dealers, distributors, and OEM (Original Equipment Manufacturers).

Today, Pengo is the largest manufacturer of augers and related wear parts in the world, serving the utility, construction, agriculture, foundation, and major worldwide OEM customers. Our products are available through a network of over 500 dealers and OEM's. The product line has expanded to include forged, cast and fabricated bucket teeth in addition to a line of mini-loader attachments and foundation drilling tools and components. Pengo acquired CAM Manufacturing in May 2004. This added the conveyor screw product line and the ability to manufacturer heavy duty helical and sectional flighting.

With manufacturing and distribution points in Iowa and Minnesota, we have several locations to serve you. Please call Sales at (800)599-0211 to talk with our representatives and see why at Pengo we are proud to say "We're Breaking New Ground."



MD AUGER - SELECTION GUIDE



Step 1 Select Hub Size

2 1/2" or 2 5/8" Hex
2" and 2 1/4" Square

Step 2 Select Overall Length

104" is Standard
102" and 88" available

Step 3 Select Flighting Thickness

5/16" is Standard
3/8" and 1/2" available

Step 4 Select Flighting Length

60" is Standard
52", 40", and 36" available

Step 5 Select Teeth & Pilot

OPTION 1 Typical Dirt Applications
1851 Teeth & 1652 Gage with FH205 Pilot

OPTION 2 Dirt Application with Replaceable Tooth Pilot
1851 Teeth & 1652 Gage with P-1650 Pilot

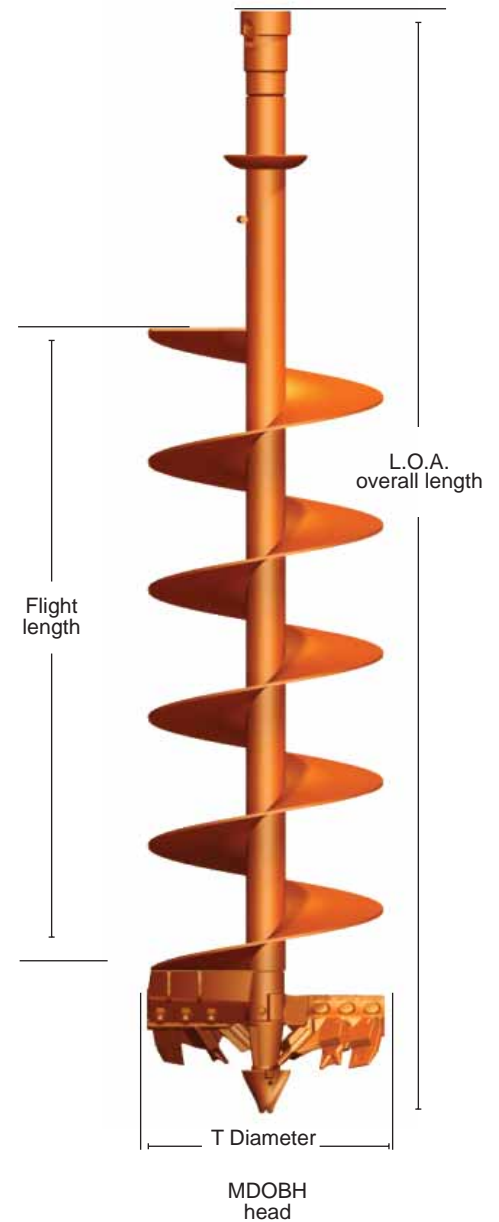
OPTION 3 High Abrasion, Frozen Soil, Low Impact Applications
Carbide Teeth & Pilot
1656 Teeth & 1658 Gage with FH205C Pilot

OPTION 4 High Abrasion, Frozen Soil, Low Impact Applications
Carbide Teeth & with Replaceable Tooth Pilot
1656 Teeth & 1658 Gage with P-1656 Pilot

OPTION 5 Dirt with TriFlow Pilot
Carbide Teeth & with Tungsten Carbide Drill Head
1656 Teeth & 1658 Gage with TF-600

OPTION 6 Fracturable Rock Applications, Improved Performance
Bolt-on Rock Ripper® Shank Plates, RRP MD Pilot

OPTION 7 Fracturable Rock Applications
Bolt-on Shank Plates with Bullet Teeth, RCP Pilot



**Custom Augers Available
Upon Request**
Non-Cancellable / Non-Returnable

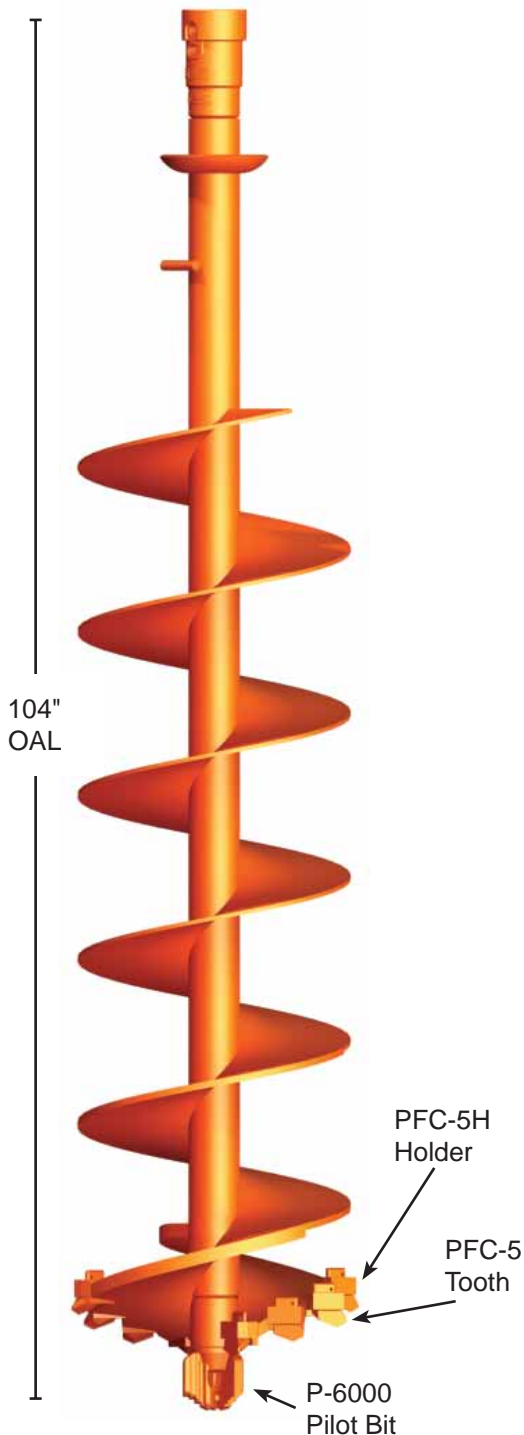
MDR - STEP ROCK AUGERS

MDR Augers are designed for solid, non-fracturable rock and highly abrasive soil conditions.



MDR Step Rock Augers

Description 2 5/8" Hex	Approx. Wt.		Part No.
	lbs.	kg.	
9-MDR-10460	174	80	101101
10-MDR-10460	183	84	101103
12-MDR-10460	217	99	101105
14-MDR-10460	244	112	101107
16-MDR-10460	298	137	101109
18-MDR-10460	327	150	101111
20-MDR-10460	344	158	101113
24-MDR-10460	434	199	101115
30-MDR-10460	460	211	101117
36-MDR-10460	590	270	101119



*MDR Rock Augers
available in all MD sizes.*

ROCK RIPPER® DIGGER DERRICK AUGERS



The Rock Ripper® MRR-Series Augers are designed to maximize drilling for all types of Digger Derricks. This Rock Ripper® Series of augers are best suited for solid and fracturable rock as well as compacted soil.

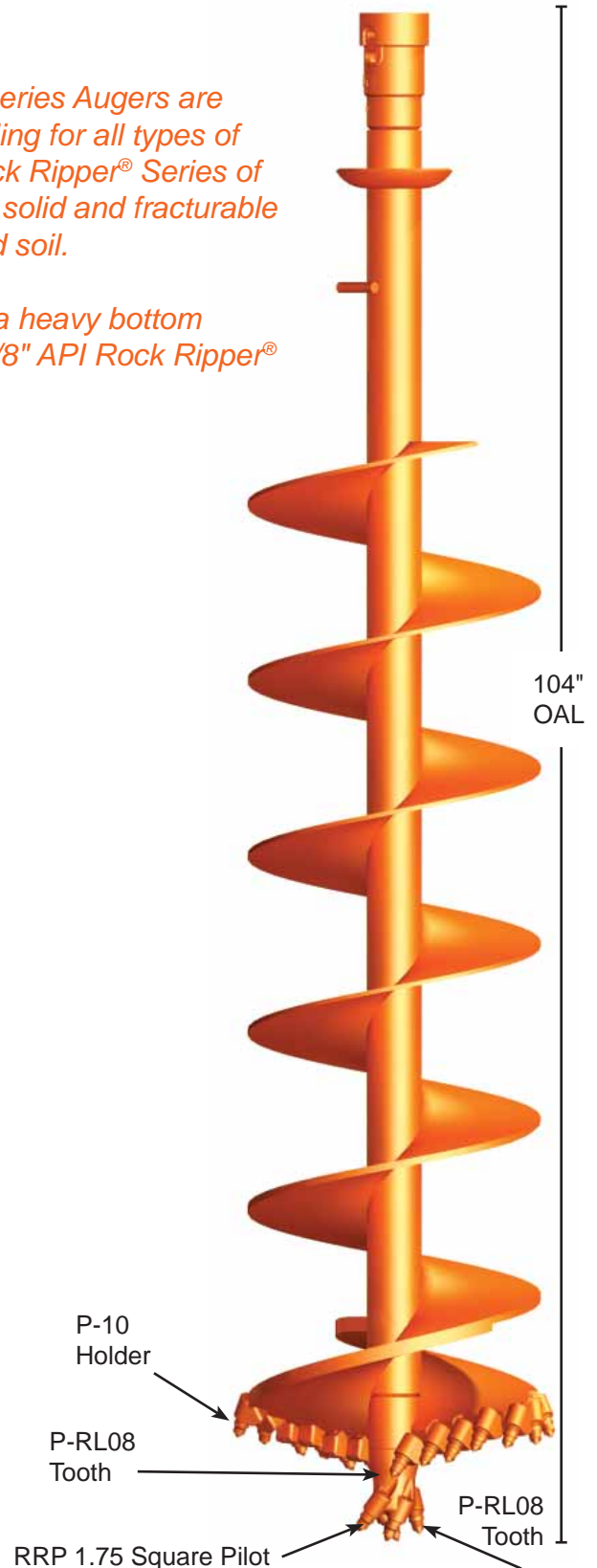
All augers are made with a heavy bottom flighting and standard 2-3/8" API Rock Ripper® Pilot and Teeth.

MRR Digger Derrick Augers - 8" Dish

Description	2" Hex	2 1/2" Hex	2 5/8" Hex
9-MRR-10460	101150	133600	101151
10-MRR-10460		134705	
12-MRR-10460	101152	133601	101153
14-MRR-10460		136515	
16-MRR-10460	101154	133602	101155
18-MRR-10460	101156	133603	101157
20-MRR-10460	101158	133604	101159
24-MRR-10460	101160	133605	101161
30-MRR-10460	101162	133607	101163
36-MRR-10460	101164	133615	101165

MRR Digger Derrick Augers - 10" Dish

Description	2" Hex	2 1/2" Hex	2 5/8" Hex
9-MRR-10460	101166	101167	101168
12-MRR-10460	101169	101170	101171
16-MRR-10460	101172	101173	101174
18-MRR-10460	101175	101176	101177
20-MRR-10460	101178	101179	101180
24-MRR-10460	101181	101182	101183
30-MRR-10460	101184	101185	101186
36-MRR-10460	101187	101188	101189



QUICK CHANGE MD AUGERS

One Flight Body

OAL 104" assembled



No need to carry two augers, use one Quick Change flight body with multiple interchangeable heads.

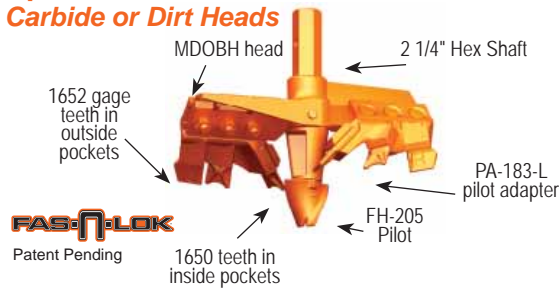
FLIGHT BODIES

Cut Dia. In.		2" Hex Part No.	2 1/2" Hex Part No.	2 5/8" Hex Part No.
8	FMD-8	101016	556575	101017
9	FMD-9	101018	556580	101019
10	FMD-10	101020	556585	101021
12	FMD-12	101022	556595	101023
14	FMD-14	101024	556600	101025
16	FMD-16	101026	556605	101027
18	FMD-18	101028	556610	101029
20	FMD-20	101030	556615	101031
22	FMD-22	101032	556620	101033
24	FMD-24	101034	556625	101035
26	FMD-26	101036	556630	101037
27	FMD-27	101038	556635	101039
30	FMD-30	101040	556640	101041
36	FMD-36	101042	556645	101043

OPTION 1 CARBIDE & DIRT HEADS

Cut Dia. In.		TF-600 Part No.	FH-205C Part No.	FH-205 Part No.
9-1/2	POMDH-8	101579	101044	556500
10	POMDH-9	101580	101045	556505
11-3/4	POMDH-10	101581	101046	556510
13-1/4	POMDH-12	101582	101047	556520
15-3/4	POMDH-14	101583	101048	556525
18	POMDH-16	101584	101049	556530
20	POMDH-18	101585	101050	556535
22	POMDH-20	101586	101051	556540
23-1/2	POMDH-22	101587	101052	556545
26	POMDH-24	101588	101053	556550
27-1/2	POMDH-26	101589	101054	556555
28-1/2	POMDH-27	101590	101055	556560
31-1/2	POMDH-30	101591	101056	556565
37-1/2	POMDH-36	101592	101057	556570

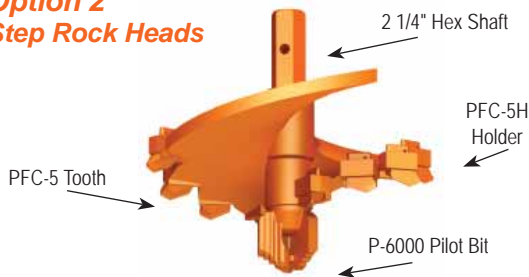
Option 1 Carbide or Dirt Heads



OPTION 2 STEP ROCK HEADS

Cut Dia. In.		Qty Teeth	Approx. Weight lbs.	kg	Part No.
10-1/2	POMDR-9	4	44	20	554680
11-1/2	POMDR-10	4	47	21	554687
13-1/2	POMDR-12	4	62	28	554681
15-1/2	POMDR-14	4	70	32	554688
17-1/2	POMDR-16	6	90	41	554682
19-1/2	POMDR-18	8	133	60	554683
21-1/2	POMDR-20	8	160	73	554684
25-1/2	POMDR-24	12	217	98	554685
31-1/2	POMDR-30	16	325	147	554686
37-1/2	POMDR-36	18	457	207	554689

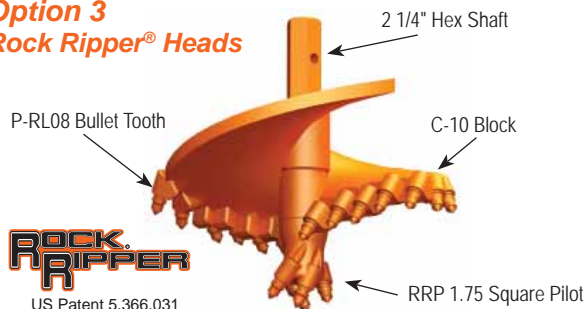
Option 2 Step Rock Heads



OPTION 3 ROCK RIPPER® HEADS

Cut Dia. In.		Qty Teeth	Approx. Weight lbs.	Part No.
10-1/2	POMRR-9	48	22	133607
13-1/2	POMRR-12	68	31	133608
17-1/2	POMRR-16	100	45	133609
19-1/2	POMRR-18	118	53	133610
21-1/2	POMRR-20	143	65	133611
25-1/2	POMRR-24	188	85	133612
31-1/2	POMRR-30	276	125	133613

Option 3 Rock Ripper® Heads

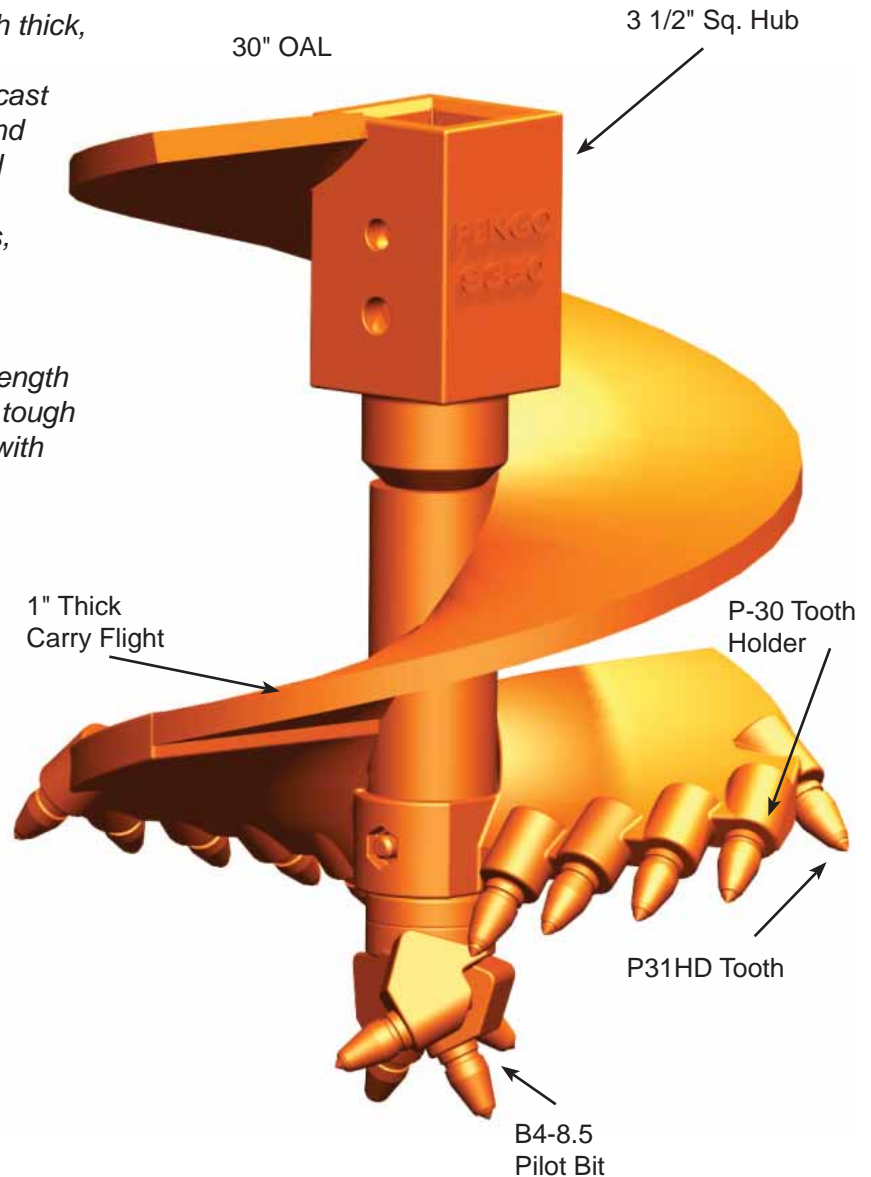


PRESSURE DIGGER ROCK AUGER

Great for use in undesirable rocky conditions and in areas with minimum ground clearance!

Pengo® True Cut PDR augers are made with thick, heat-treated cast alloy heads and use heavy-duty 1" shank bullet-style teeth. The cast heat treated head provides superior wear and performance compared to normal fabricated augers. In addition the cast head is field repairable with standard welding techniques, utilizing low hydrogen welding rods and no pre or post heating requirement.

These rugged augers feature a 30" overall length with a 1" thick carry flight to get through the tough jobs. A 3-1/2" square drive hub is standard with other sizes available.



PRESSURE DIGGER ROCK

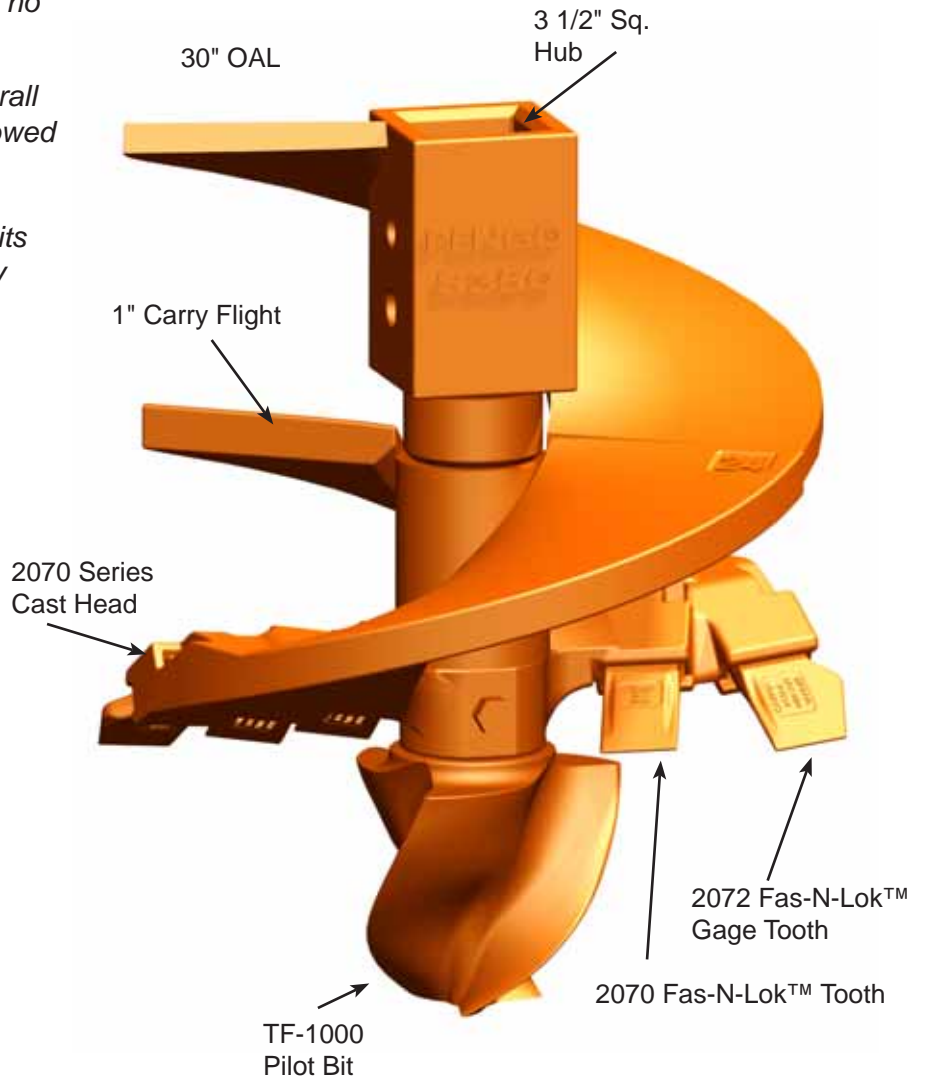
Description		Part No.
9-PDR-30	9" Dia. X 30" OAL	137520
10-PDR-30	10" Dia. X 30" OAL	137518
12-PDR-30	12" Dia. X 30" OAL	137521
16-PDR-30	16" Dia. X 30" OAL	137522
18-PDR-30	18" Dia. X 30" OAL	137523
20-PDR-30	20" Dia. X 30" OAL	101890
24-PDR-30	24" Dia. X 30" OAL	137524
26-PDR-30	26" Dia. X 30" OAL	137517
30-PDR-30	30" Dia. X 30" OAL	137525
36-PDR-30	36" Dia. X 30" OAL	137526
42-PDR-30	42" Dia. X 30" OAL	137527
48-PDR-30	48" Dia. X 30" OAL	137528
60-PDR-30	60" Dia. X 30" OAL	137529
72-PDR-30	72" Dia. X 30" OAL	137530

PRESSURE DIGGER DIRT AUGER

NEW!

Introducing the NEW Pengo® PDD augers. The cast heat treated head provides superior wear and performance compared to normal fabricated augers. In addition the cast head is field repairable with standard welding techniques, utilizing low hydrogen welding rods and no pre or post heating requirement.

These rugged augers feature a 30" overall length with a 1 1/2" thick lead flight followed by a 1" thick formed trailing flight. The 10" cut three-flute pilot provides outstanding ground penetration. PDD bits are equipped with the NEW heavy-duty Fas-N-Lok™ 2070 series teeth, making replacement quick and easy. A 3 1/2" square connection comes standard, other connection sizes are available upon request.



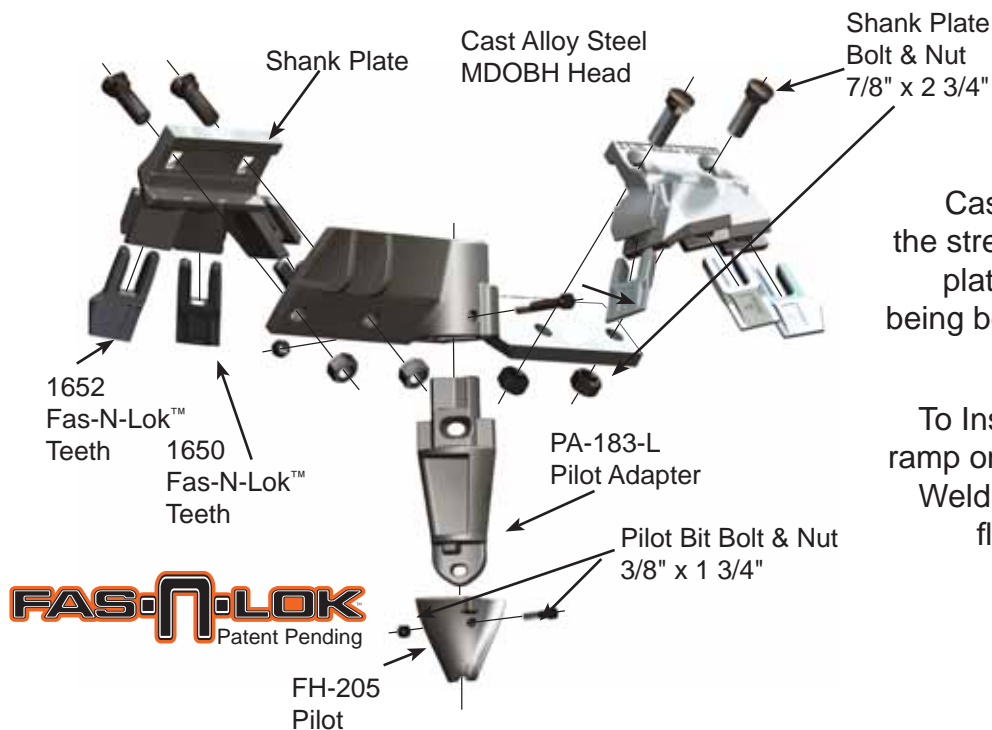
PRESSURE DIGGER DIRT

Description		Part No.
16-PDD-30	16" Dia. X 30" OAL	136338
18-PDD-30	18" Dia. X 30" OAL	136339
20-PDD-30	20" Dia. X 30" OAL	136340
24-PDD-30	24" Dia. X 30" OAL	136341
30-PDD-30	30" Dia. X 30" OAL	136343
36-PDD-30	36" Dia. X 30" OAL	136344
42-PDD-30	42" Dia. X 30" OAL	136345
48-PDD-30	48" Dia. X 30" OAL	136346
60-PDD-30	60" Dia. X 30" OAL	136347
72-PDD-30	72" Dia. X 30" OAL	136348

FAS-N-LOK
Patent Pending

BORING HEADS

For repair of Pengo and other brands of augers.



Cast alloy steel MDOBH heads provide the strength to support hard working shank plates, and protect the auger flight from being bent and distorted. Field replaceable teeth and fishtail bit are standard.

To Install: The MDOBH has an extended ramp on one side for welding to flight edge. Weld completely around center shaft and flight edge using a low hydrogen rod.

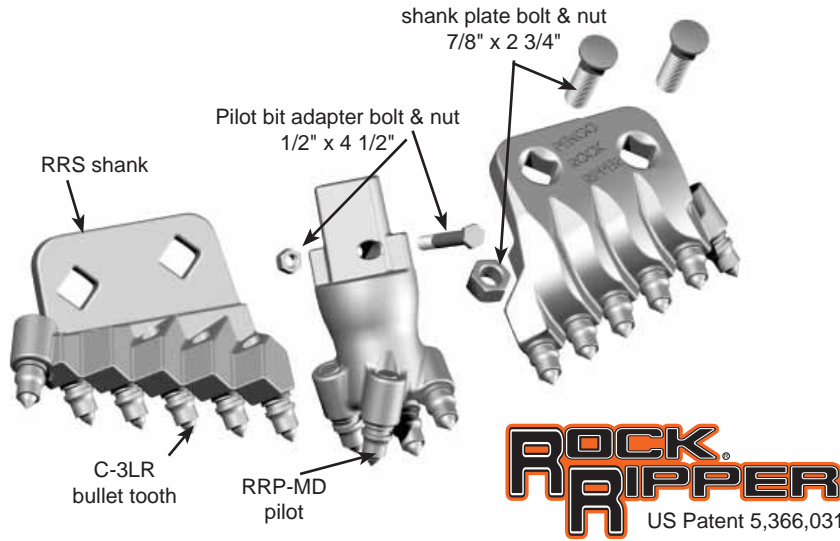
SHANK PLATES

In.	MM.		Qty Teeth	Qty Bolts	wt lbs	wt kg	Part No.
8-10	203	810X	1	1	5.5	2.6	131854
11-13	279	12X	2	1	11.0	5.0	131770
14	356	145X	2	2	10.85	4.0	131788
15	381	145X	2	2	10.5	4.0	131788
16	406	16X1	2	2	9.5	4.0	131790
16		16X2	2	2	9.5	4.0	131791
18	457	18X1	3	2	14.0	6.0	131732
18		18X2	3	2	14.0	6.0	131733
20	508	20X-1	3	2	14.0	6.0	131866
20		20X-2	3	2	14.0	6.0	131867
22	559	22X-1	3	3	16.0	7.0	131974
22		22X-2	3	3	16.0	7.0	131975
24	610	24X-1	3	3	18.0	8.0	131872
24		24X-2	4	3	18.0	8.0	131873
26	620	267X-1	4	4	20.5	9.0	131976
26		267X-2	4	4	20.5	9.0	131977
27	686	267X-1	4	4	20.5	9.0	131976
27		267X-2	4	4	20.5	9.0	131977
28	711	28X-1	4	4	22.5	10.0	155960
28		28X-2	4	4	22.5	10.0	155970
30	762	30X-1	4	4	25.5	11.0	131878
30		30X-2	4	4	25.5	11.0	131879
36	914	36X-1	4	4	32.0	15.0	131884
36		36X-2	4	4	32.0	15.0	131885
42	1067	42X-1	5	4	39.0	18.0	131978
42		42X-2	5	4	39.0	18.0	131979
48	1219	36X-1	4	4	32.0	15.0	131884
		36X-2	4	4	32.0	15.0	131885
		48X-1	2	2	12.0	5.0	132107
		48X-2	3	4	12.0	5.0	132108

BORING HEAD ASSEMBLIES - MD

Description	Qty Teeth	Weight lbs.	Weight kg.	Part No.
MDOBH-8	2	41	18.5	552005
MDOBH-9	2	42	19.0	552010
MDOBH-10	2	47	21.3	552015
MDOBH-11	4	60	27.2	552020
MDOBH-12	4	64	29.0	552025
MDOBH-14	4	60	27.2	552030
MDOBH-16	4	61	27.6	552035
MDOBH-18	4	73	33.0	552040
MDOBH-20	6	75	34.0	552045
MDOBH-22	6	78	35.3	552050
MDOBH-24	6	90	40.8	552055
MDOBH-26	7	92	41.7	552060
MDOBH-27	8	109	49.4	552065
MDOBH-30	8	121	54.8	552070
MDOBH-36	8	140	63.4	552075
MDOBH-42	10	160	72.5	552076
MDOBH-48	13	180	81.5	552077

SHANK PLATES & PILOTS



Fits MD Boring Head Base

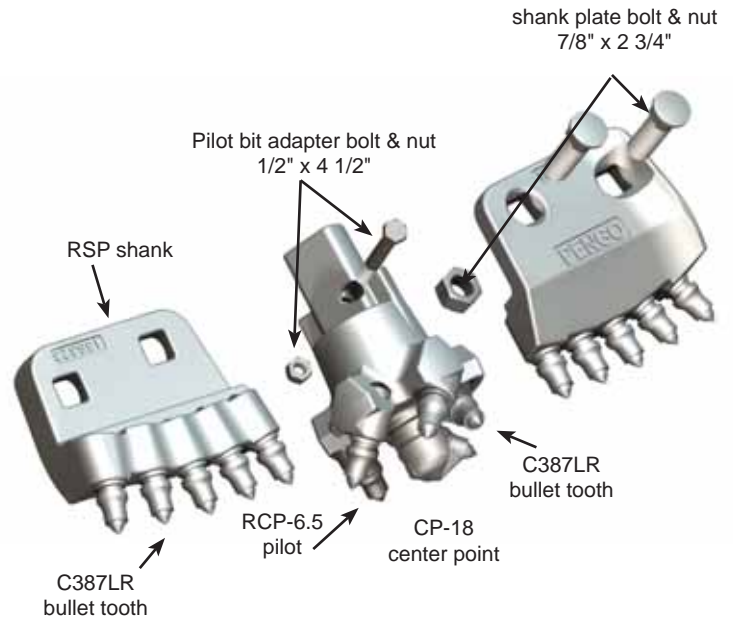
The Rock Ripper® bolt-on shanks and pilot are computer designed to easily interchange with Pengo's standard shanks and pilot. Best suited for solid and fracturable rock as well as compacted soils.

The Rock Ripper® Series comes with standard Rock Ripper teeth (bolts and nuts included).

The Rock Ripper® offers improved performance over Kennametal-type shanks due the exclusive patented design.

Kennametal-Type

Description	Approx Weight	Part No.
RSK-16	Shank & Pilot Kit	43.5 554230
RSP-16	Shank Plate	12.5 554240
RSK-18	Shank & Pilot Kit	48.5 554231
RSP-18	Shank Plate	15.0 554241
RSK-20	Shank & Pilot Kit	51.5 554232
RSP-20	Shank Plate	16.5 554242
RSK-24	Shank & Pilot Kit	56.5 554233
RSP-24	Shank Plate	19.0 554243
RCP-6.5	6-1/2" Center Pilot	18.5 132116
C-87-LR	Conical Tooth	0.6 134063
C-387-LR	Conical Tooth	0.5 134064



Fits MD Boring Head Base

Rock tooling bolts onto the standard MDOBH and HDOBH head and allows you to drill in permafrost, concrete and most fracturable rock.

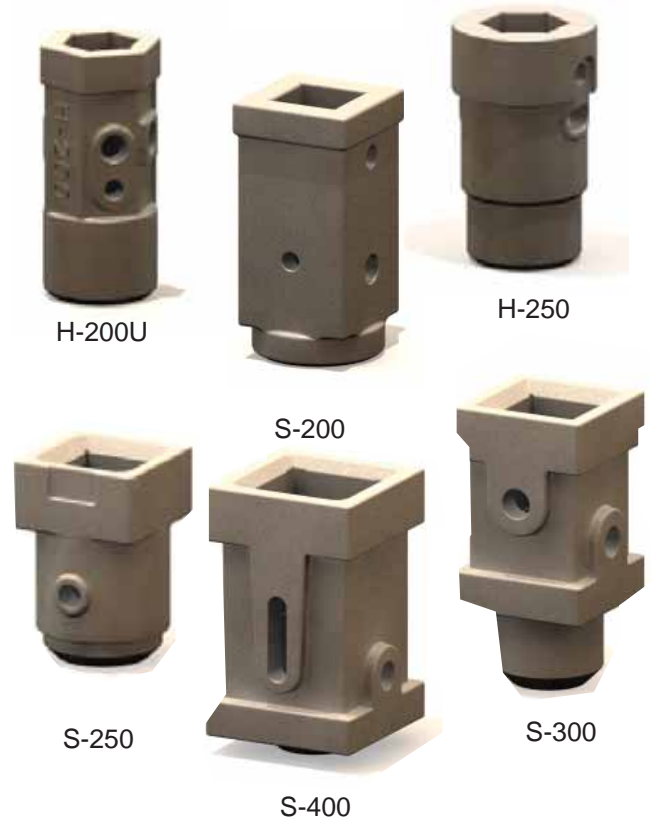
Shanks and pilot manufactured by Pengo for Pengo MD & HD heads.

ROCK RIPPER®

Description	Approx Weight	Part No.
RRK-16	Shank & Pilot Kit	44 133634
RRS-16-1	Shank-Left	12 134673
RRS-16-2	Shank-Right	12 134674
RRK-18	Shank & Pilot Kit	59 134719
RRS-18-1	Shank-Left	17 134569
RRS-18-2	Shank-Right	17 134566
RRK-20	Shank & Pilot Kit	66 134720
RRS-20-1	Shank-Left	22 134717
RRS-20-2	Shank-Right	22 134718
RRK-24	Shank & Pilot Kit	77 134697
RRS-24-1	Shank-Left	27 134695
RRS-24-2	Shank-Right	27 134696
RRP-MD	Rock Ripper Pilot	17 134675
C-3LR-94	Rock Ripper Tooth	0.5 134037

MD Hubs

Description		Approx. Wt.		Part No.
		lbs.	kg.	
hub for 2" (51 mm) hex drive	H-200U	6.5	3.0	154121
hub for 2 1/4" (57 mm) hex drive	H-225	12.8	5.8	154160
hub for 2 1/2" (64 mm) hex drive	H-250	11.0	5.0	154141
hub for 2 5/8" (67 mm) hex drive	H-262	10.5	4.9	154151
hub for 3" hex drive	H-300	20.1	9.1	154205
hub for 1 1/2" sq. drive	S-150	6.5	2.9	153985
hub for 2" (51 mm) sq. drive	S-200	19.0	9.0	153990
hub for 2" sq. drive (fabricated)	S-200	5.5	2.5	153991
hub for 2 1/4" (57 mm) sq. drive	S-225	17.5	8.0	154000
hub for 2 1/4" sq. drive (fabricated)	S-225	16.6	7.5	154002
hub for 2 1/2" sq. drive	S-250	19.4	8.8	154010
hub for 3" sq. drive	S-300	38.8	17.6	154020
hub for 3 1/2" sq. drive	S-350	52.0	23.6	154030
connector pin for 2 1/4", 2 1/2" 2 5/8" hex; 2 1/4 sq. hub	3/4" x 6"	.6	.3	159965



HD Hubs

Description		Approx. Wt.		Part No.
		lbs.	kg.	
hub for 3 1/2" (89 mm) sq. drive	S-350	43.0	18.1	154030
hub for 4" (102 mm) sq. Kelly	S-400	65.0	29.0	154050
hub for 4 1/4" (108 mm) sq. Kelly	S-425	83.0	37.6	154231
hub for 4 1/2" (114 mm) sq. Kelly	S-450H	51.0	23.1	154241
hub for 4 1/2" (114 mm) sq. Kelly	S-450	63.0	28.5	154246

Hub drive/adaptor for attaching your auger to any size Kelly bar are available by special order. Prices quoted on request.

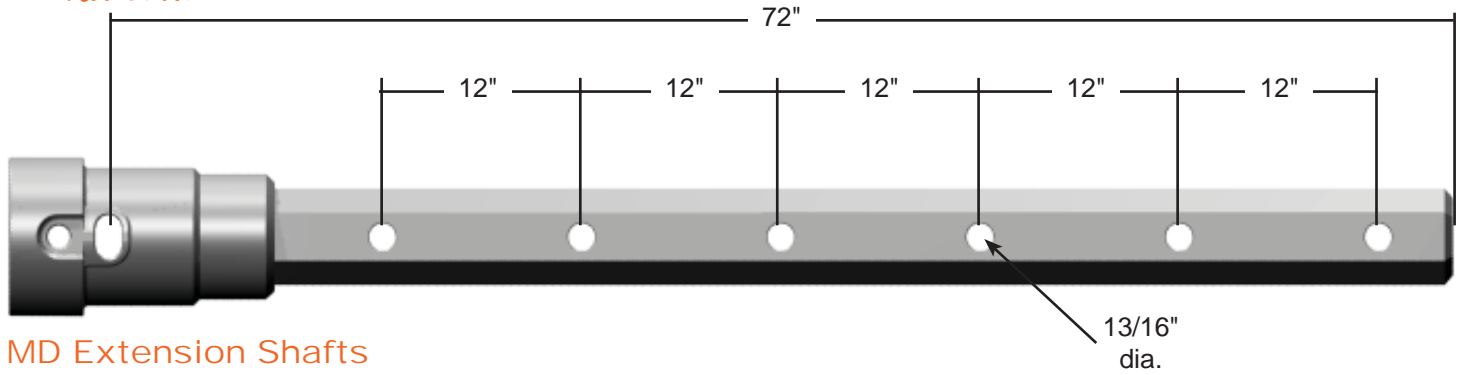
H-262 = Hex 2 5/8"	S-262 = Sq. 2 5/8"	R-262 = Rnd 2 5/8"
H-200 = Hex 2"	S-200 = Sq. 2"	R-200 = Rnd 2"
H-250 = Hex 2 1/2"	S-250 = Sq. 2 1/2"	R-250 = Rnd 2 1/2"
H-300 = Hex 3"	S-300 = Sq. 3"	R-300 = Rnd 3"
H-350 = Hex 3 1/2"	S-350 = Sq. 3 1/2"	R-350 = Rnd 3 1/2"



MD Hub Adapters

Description	Part No.
H-262F X H-200M	ADAPTER HUB 133938
H-250F X S-200M	ADAPTER HUB 132946
R-200F X H-225M	ADAPTER HUB 132805
H-250F X H-200M	ADAPTER HUB 132419
S-250F X S-225M	ADAPTER HUB 132664
H-262F X H-250M	ADAPTER HUB 132702
H-250F X S-250M	ADAPTER HUB 133560
H-200F X H-250M	ADAPTER HUB 132609
S-350F X S-250M	ADAPTER HUB 132938
S-250F X H-250M	ADAPTER HUB 132842
S-300F X S-250M	ADAPTER HUB 133137
H-250F X R-256M	ADAPTER HUB 151025
H-200F X H-262M	ADAPTER HUB 133379
H-250F X H-262M	ADAPTER HUB 136466
S-350F X S-300M	ADAPTER HUB 134797
H-250F X S-250M	ADAPTER HUB 132969

EXTENSIONS



MD Extension Shafts

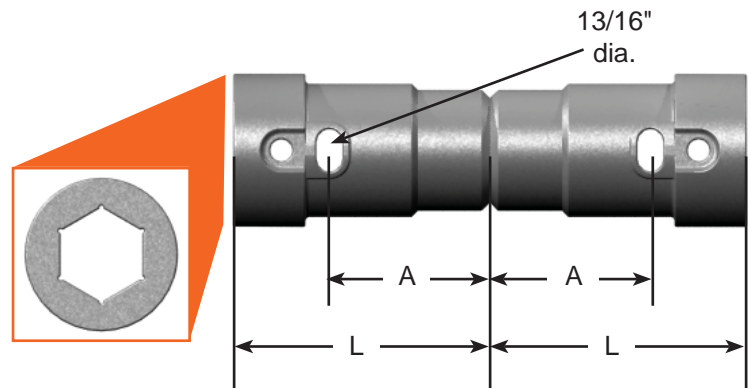
Description	Part No.	
HE20-12	2" Hex X 12"	557142
HE20-24	2" Hex X 24"	557143
HE20-36	2" Hex X 36"	557144
HE20-48	2" Hex X 48"	557145
HE20-60	2" Hex X 60"	557146
HE20-72	2" Hex X 72"	557147
HE20-84	2" Hex X 84"	557148
HE20-96	2" Hex X 96"	557149
HE20-120	2" Hex X 120"	557150
HE20-144	2" Hex X 144"	557151
HE25-12	2 1/2" Hex X 12"	557126
HE25-24	2 1/2" Hex X 24"	557162
HE25-36	2 1/2" Hex X 36"	557128
HE25-48	2 1/2" Hex X 48"	557129
HE25-60	2 1/2" Hex X 60"	557130
HE25-72	2 1/2" Hex X 72"	557163
HE25-90	2 1/2" Hex X 90"	135598
HE26-12	2 5/8" Hex X 12"	557119
HE26-24	2 5/8" Hex X 24"	557120
HE26-36	2 5/8" Hex X 36"	557121
HE26-48	2 5/8" Hex X 48"	557122
HE26-60	2 5/8" Hex X 60"	557160
HE26-72	2 5/8" Hex X 72"	557161
HE225-72	2 1/4" Hex X 72"	557140
H-250F X H-262M X 72"	EXT SHFT	557172
H-262F X H-250M X 72"	EXT SHFT	557170

Extension Bars - no hubs with holes

Description	Part No.
2" x 72" hex H-200 x 72"	137570
2 1/2" x 72" hex H-250 x 72"	137571
2 5/8" x 72" hex H-262 x 72"	137572

Extension Bars - no hubs no holes

Description	Part No.
2" x 72" hex bar H-200 x 72"	151125
2 1/4" x 72" hex bar H-225 x 72"	151126
2 1/2" x 72" hex bar H-250 x 72"	151127
2 5/8" x 72" hex bar H-262 x 72"	151128



MD Hex Couplers

Description	A	L	Weight Lbs.	Kg.	Part No.
2" x 2" H-200-C	3"	8"	13	5.9	553400
2 1/2" x 2 1/2" H-250-C	5"	8"	22	9.9	553402
2 5/8" x 2 5/8" H-262-C	5"	8"	21	9.5	553403

Cast Couplers

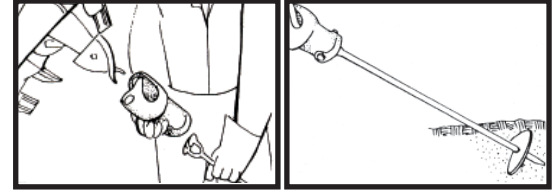
Description	Part No.
H262 X H262	553399
H250 X H262	553407
H262 X H262	553411
H200 X H200	553412
H200 X H200	553413
H200 X H262	553414
H200 X H262	553415
H200 X H250	553416
H200 X H250	553417
H250 X H262	553418
H250 X H262	553419

REPLACEMENT PARTS

Screw Anchor Tool

Description	Part No.
SAT-80 Screw Anchor Tool	157530

The SAT screw anchor tool is used for installing anchors, without having to remove the auger. Slip the tool over the pilot bit. (FH-205, FH-105, C-120, SB-50) as shown. Insert the thimble (eye) of the anchor into the end of the SAT-80. Screw anchor into the ground.



CAUTION: The SAT-80 is for use only on pressure diggers and only for installation, never for removal of anchors. Failure to meet these precautions may cause safety hazards.



8 1/4" Dish

Lug



10" Dish

Storage Accessories

Description	Approx Weight		Part No.
	Lbs.	Kg.	
dish 3 3/4 I.D. x 8 1/4 O.D.	4.5	2.0	151731
dish 3 I.D. x 8 1/4 O.D.	4.5	2.0	151732
dish 3 3/4 I.D. x 10 O.D.	6.8	3.0	151735
dish 10" Custom 0 4" I.D.			132875
2-3/8" API Box Thread 4" O.D.			151193
Reach All Wind-up Lug			157704

Optional unless noted. These components come loose on the shaft, or can be located to customer's specifications.

Miscellaneous

141-L Repair Drive Lug	151970
LHX-141-L 1-5/8" Hex Drive Lug	152030
LHX-141-M 1-5/8" Hex Drive Lug	152020
1/2" x 4-1/2" Bolt & Nut	151680
3/8" x 1-3/4" Bolt & Nut	151670
3/8" x 3" Bolt & Nut	151672
DP-2 Drive Pin	157779
DP-3 Drive Pin	157780
DP-4 Drive Pin	157781
DP-5 Drive Pin	157782
DP-3S Drive Pin Small	157783
Ribbed RubR-Lok®	137601



API Box



Drive Pin

Drive Lug

PILOT BITS

Pilot Bits

		MDR Step Rock Augers	Rock Ripper® Digger Derrick	MD Boring Heads	Pressure Digger Rock	Pressure Digger Dirt
554250	RCP-6.5 BULLET					
134675	RRP-MD ROCK RIPPER®					
137204	RRP 1.75 Sq. Pilot Bit		•			
131726	P-1650					
131727	P-1656					
151275	P-6000	•				
137357	TF-600					
151220	FH-105					
157382	FH-205			•		
132260	FH-205C			•		
132825	FH-205CXC			•		
131728	SB-50			•		
131751	SB-50C			•		
132423	SB-50CXC			•		
132937	SB-50HF			•		
132624	SB-50HFTC			•		
132029	SB-60			•		
132803	SB-60C			•		
133252	SB-60CXC			•		
133251	SB-60HF			•		
133254	SB-60HFTC			•		
132185	SB-70			•		
132368	SB-70C			•		
133255	SB-70CXC			•		
132960	SB-70HF			•		
133256	SB-70HFTC			•		
132198	SB-80			•		
132638	SB-80C			•		
133258	SB-80CXC			•		
133257	SB-80HF			•		
133259	SB-80HFTC			•		
132552	SB-90			•		
133260	SB-90C			•		
133261	SB-90CXC			•		
132898	SB-90HF			•		
133271	SB-90HFTC			•		
132363	SB-100			•		
132903	SB-100C			•		
133262	SB-100CXC			•		
133272	SB-100HFTC			•		



PILOT BITS

Pilot Bits

		MDR Step Rock Augers	Rock Ripper® Digger Derrick	MD Boring Heads	Pressure Digger Rock	Pressure Digger Dirt
132355	375-TCH-171L			•		
133267	5.5-TCH-171L			•		
133268	6.5-TCH-171L			•		
133269	8.5-TCH-171L			•		
133270	9.5-TCH-171L			•		
199205	45-TCH-171L			•		
133578	45-TCH-171M			•		
133266	50-TCH-171L			•		
151272	CP-18 (for use with RCP-6.5 Pilot)					
132524	CP-16					
135867	B40-8.5 2 1/2" Sq.				•	
137345	TF-1000 2 1/2" Sq.					•



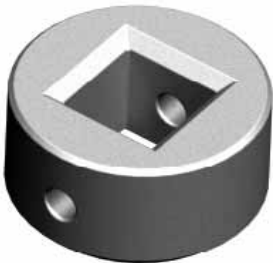
TF-1000



TCH



CP-18
enlarged to show detail



6OD 2 1/2" Sq.
Drive Cast



PA-183-L



PA-182-L

Pilot Bit Adapters

PA-183-L	151110
PA-182-L	151100
MF-MM Adapter	151020
6OD 2-1/2" Sq. Drive Cast	151598
PE-151 Pilot Adapter	152145

AUGER TEETH & HOLDERS

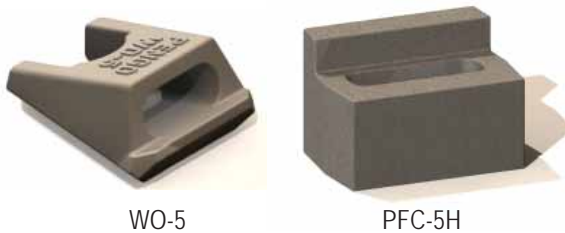


Teeth

		MDR Step Rock Augers	Rock Ripper® Digger Derrick	MD Boring Heads	Pressure Digger Rock	Pressure Digger Dirt
140200	1650 Dirt Fas-N-Lok™			•		
140070	1650 Dirt			•		
140020	1652 Dirt Gage Fas-N-Lok™			•		
140085	1652 Dirt Gage			•		
140086	1652-HF Gage			•		
140400	1656 Carbide					
140417	1658 Carbide Gage					
140080	1851 Dirt/Chisel					
140065	604C Carbide Tooth					
140112	PFC-2 Tooth					
140115	PFC-5 Carbide Tooth	•				
140407	RB-56 Ridge Breaker					
140408	RB-58 Ridge Breaker					
134037	P-RL08		•			
170030	201 Tooth					
170027	201HF Tooth					
170034	211 Clearance Cutter Tooth					
177035	211HF Clearance Cutter Tooth					
134659	299 Carbide Tooth					
134063	C-87-LR Conical Tooth					
134064	C-387-LR Conical Tooth					
140002	2070 Fas-N-Lok™ Tooth					•
140000	2072 Fas-N-Lok™ Gage Tooth					•
990011	C31HD Tooth				•	



Due to varying manufacturers tolerances, RubR-Lok® might be necessary to obtain the correct fit.



Holders

		MDR Step Rock Augers	Rock Ripper® Digger Derrick	MD Boring Heads	Pressure Digger Rock	Pressure Digger Dirt
134039	P10 Holder		•			
157000	1604 Holder					
140119	PFC-5H Holder	•				
151115	WT-50 Holder					
157300	BT-100 Holder					
157010	1658 1XS Holder					
158105	1650 [FA-50] Holder					
158120	WA-70 Holder					•
990011	C31HD Holder				•	
171575	WO-5 Holder					



Pengo Limited Warranty

Products manufactured by Pengo wear and are expendable in their function. Wear and tear and occasional breakage must, therefore, be expected.

Pengo products are warranted from defects in material and workmanship for a period of Sixty (60) Days from the date of invoice. Pengo will either replace or credit the defective part at their option. Any labor and/or material required to remove or install parts is excluded under this Limited Warranty. Products that have been misused, misapplied, hardfaced, improperly welded, or otherwise installed contrary to instructions and specifications are not covered by this Limited Warranty.


Pengo reserves the right to make design, specification and prices changes without notice and obligations to the affect of such changes.

Pengo makes no other warranty. All other warranties, whether express, implied or statutory, such as warranties of merchantability of fitness for a particular purpose, are hereby excluded and disclaimed to the extent that they exceed the warranties expressly granted in this limited warranty. In no event shall Pengo be liable for consequential or incidental damages. Whether direct or indirect, claimed by the customer and/or any third parties.

Returns and Claims

1. Pengo reserves the right to determine whether products claimed to be defective shall be inspected by our personnel in the field or returned to the factory. If judged by Pengo to be defective in material or workmanship, the product will be replaced or a credit issued at the option of Pengo.
2. Upon notification of defect, Pengo's Inside Sales Department will issue a Return Material Authorization number (RMA). All returns for replacement or credit MUST be accompanied by a RMA number. Products returned without a RMA number will be rejected and returned to the sender freight collect.
3. All returns must be shipped "prepaid". Products shipped "collect" will be refused. Proof of purchase such as invoice number must accompany returns.
4. Slow moving dealer inventory may be returned once per calendar year. The net value cannot exceed 5% of the previous year's purchases. A 20% re-stocking charge will apply to the net value of returned products. All returns must be of current manufacture and in un-used condition. Rusty or custom painted products will not be accepted for return.





Unmatched quality. Unsurpassed ingenuity.
Uncompromising service. They're not just hallmarks
of the Paladin family of brands. They're what
make us one of the most trusted names in the
North American construction industry.

FIVE TEAMS.
THIRTEEN BRANDS.
THOUSANDS
OF PRODUCTS.
ONE GREAT
COMPANY.



PALADIN
POWERFUL CONSTRUCTION ATTACHMENTS



PALADIN UTILITY

For complete details
and specifications contact:

Pengo[®]
500 East Highway 10
Laurens, IA 50554
PH: (800)599-0211
FX: (712)845-2497
www.paladinbrands.com
pengosales@paladinbrands.com

©Copyright 2009 Pengo[®]