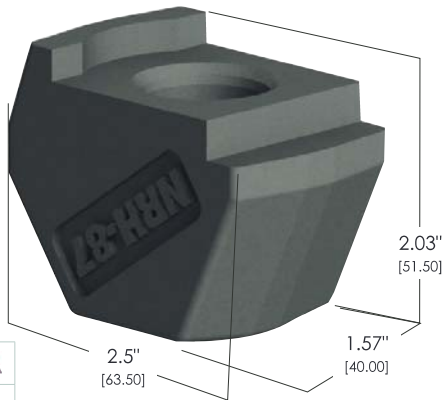


AUGER TEETH TRIDENT™



HOLDER | TRIDENT™ U.S. PATENT NO. D778,967

87 SERIES .87" SHANK SIZE



- 1** HOLDER
- 3** TEETH
- 7** DRILLING CONDITIONS

THE MOST VERSATILE TEETH AND HOLDERS ON THE MARKET.

The patented TriDent holders are designed to work with three different types of teeth, the Strata® Conical Tooth, a Non-rotating Radial Tooth and a Non-Rotating Wedge tooth.



NRH-87

LBS | 1.25

PN | 990087

Utility and Foundation Augers

25 PC. Bucket

LBS | 31.25

PN | NA



NRW-87

LBS | 1.33

PN | 990100

Utility and Foundation Augers

30 PC. Bucket

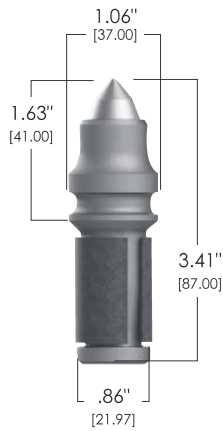
LBS | 56

PN | 850257

1200 PC. Pallet

LBS | 1596

PN | 850258



SL-02

LBS | .56

PN | 850031

Utility and Foundation Augers

65 PC. Bucket

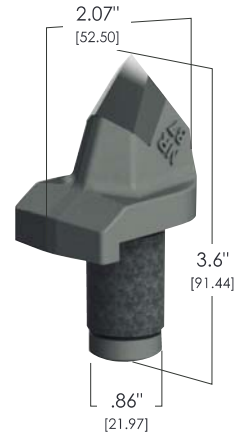
LBS | 36.4

PN | 850206

2925 PC. Pallet

LBS | 1638

PN | NA



NR-87

LBS | .99

PN | 990094

Utility and Foundation Augers

40 PC. Bucket

LBS | 39.6

PN | 850251

1280 PC. Pallet

LBS | 1267

PN | 850252

IMAGES NOT TO SCALE

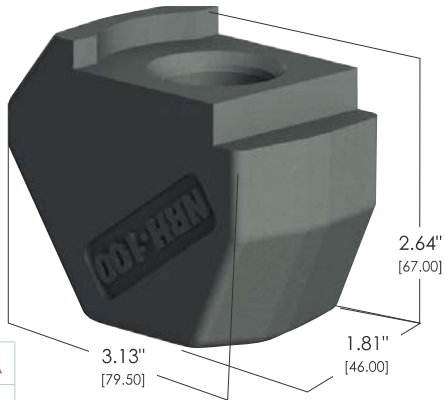
AUGER TEETH TRIDENT™



PATENT PENDING

HOLDER | TRIDENT™ U.S. PATENT NO. D778,967

100 SERIES 1" SHANK SIZE



- 1** HOLDER
- 3** TEETH
- 7** DRILLING CONDITIONS

THE MOST VERSATILE TEETH AND HOLDERS ON THE MARKET.

The patented TriDent holders are designed to work with three different types of teeth, the Strata® Conical Tooth, a Non-rotating Radial Tooth and a Non-Rotating Wedge tooth.

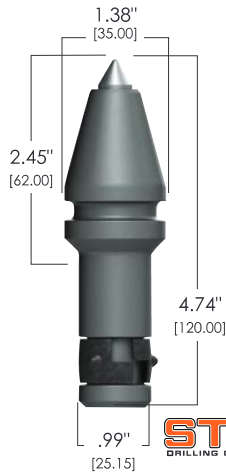


NRH-100
LBS 2.4
PN 990088
Utility, Foundation and ACIP Augers
15 PC. Bucket
LBS 36
PN NA



NRW-100
LBS 2.06
PN 990098
Utility, Foundation and ACIP Augers

20 PC. Bucket	800 PC. Pallet
LBS 41.2	LBS 1648
PN 850255	PN 850256



SR-100
LBS 1.1
PN 850023
Utility, Foundation and ACIP Augers

35 PC. Bucket	1575 PC. Pallet
LBS 36.75	LBS 1654
PN 850201	PN 850212



NR-100
LBS .99
PN 990092
Utility, Foundation and ACIP Augers

35 PC. Bucket	1120 PC. Pallet
LBS 1.35	LBS 1512
PN 850249	PN 850250

IMAGES NOT TO SCALE

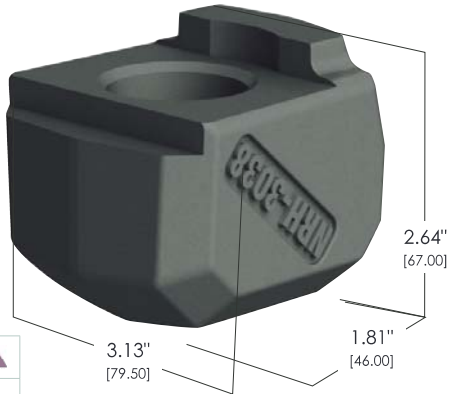
AUGER TEETH TRIDENT™



HOLDER | TRIDENT™

U.S. PATENT NO. D778,967

122 SERIES STEP SHANK SIZE



- 1** HOLDER
- 3** TEETH
- 7** DRILLING CONDITIONS

THE MOST VERSATILE TEETH AND HOLDERS ON THE MARKET.

The patented TriDent holders are designed to work with three different types of teeth, the Strata® Conical Tooth, a Non-rotating Radial Tooth and a Non-Rotating Wedge tooth.



NRH-3038

LBS | 4.86

PN | 990086

Foundation and ACIP Augers

6 PC. Bucket

LBS | 29.16

PN | NA

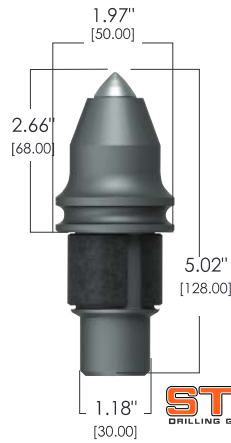


NRW-122

LBS | 4.5

PN | 990096

Foundation and ACIP Augers



SR-122

LBS | 2.6

PN | 850034

Foundation and ACIP Augers



NR-122

LBS | 2.46

PN | 990089

Foundation and ACIP Augers



8 PC. Bucket

LBS | 27

PN | 850253

240 PC. Pallet

LBS | 1080

PN | 850254

10 PC. Bucket

LBS | 26

PN | 850209

450 PC. Pallet

LBS | 1170

PN | 850215

15 PC. Bucket

LBS | 36.9

PN | 850247

480 PC. Pallet

LBS | 1181

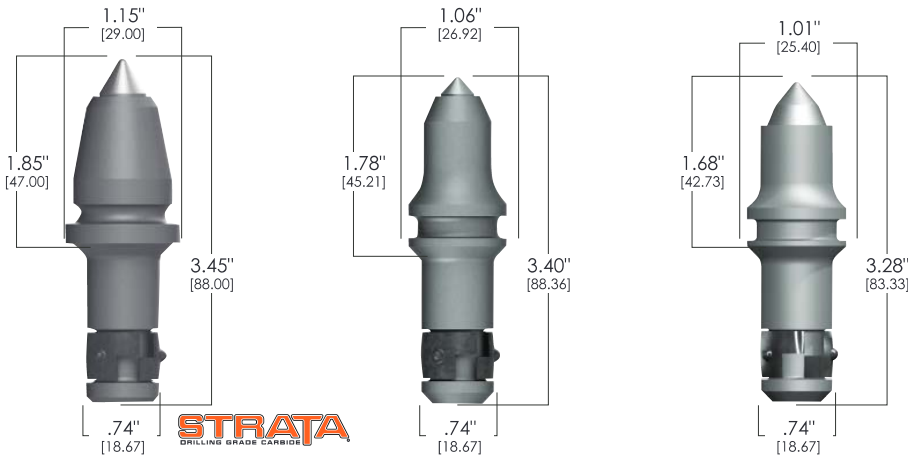
PN | 850248

IMAGES NOT TO SCALE

AUGER TEETH CONICAL



.74" SHANK SIZE



STRATA® SR-74
LBS .65
PN 850027
Foundation and ACIP Augers

65 PC. BUCKET
LBS 42.25
PN 850218

2925 PC. PALLET
LBS 1901
PN NA

S-21
LBS .3
PN 850025
Pressure Digger Augers

65 PC. BUCKET
LBS 19.5
PN NA

2925 PC. BUCKET
LBS 878
PN NA

S-23
LBS .3
PN 850033
Pressure Digger Augers

65 PC. BUCKET
LBS 19.5
PN NA

2925 PC. BUCKET
LBS 878
PN NA

The Pengo S21RR Tooth was designed exclusively for the Pengo BoRH® (Bolt-on Rock Head) which converts the Pengo Aggressor® auger into a rock auger in minutes. The stout S21-RR design works well in hard rock and concrete conditions and the enlarged tooth shoulder helps to protect the BoRH® from wear.

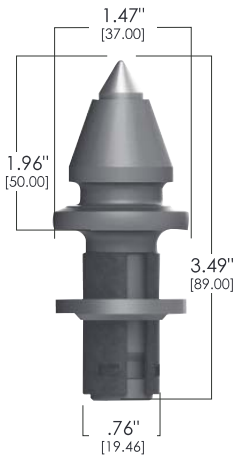
P21-RR
LBS .59
PN 137990
Bolt On Rock Head
75 PC. BUCKET
LBS 29.50
PN NA

IMAGES NOT TO SCALE

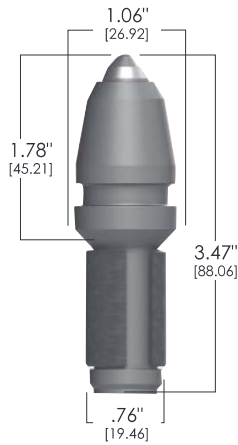
AUGER TEETH CONICAL



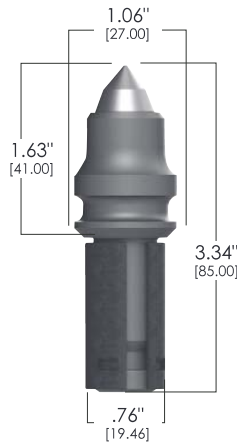
.76" SHANK SIZE



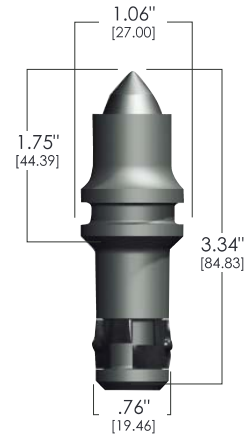
STRATA® SR-76SW
LBS .56
PN 850035
Rock Ripper® Augers
50 PC. BUCKET
LBS 28
PN 850200
3000 PC. PALLET
LBS 1680
PN NA



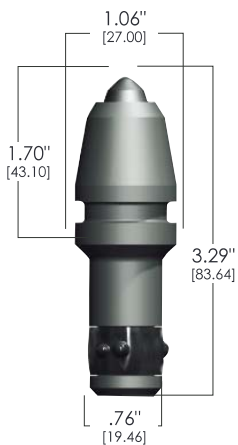
SRL-07
LBS .5
PN 850009
Rock Ripper® Augers
65 PC. BUCKET
LBS 32.5
PN NA
2925 PC. PALLET
LBS 1463
PN NA



SRL-08
LBS .65
PN 990021
Rock Ripper® Augers
65 PC. BUCKET
LBS 19.5
PN 850203
2925 PC. PALLET
LBS 1901
PN NA



SRL-09
LBS .5
PN 850017
Rock Ripper® Augers
65 PC. BUCKET
LBS 32.5
PN NA
2925 PC. PALLET
LBS 1463
PN NA

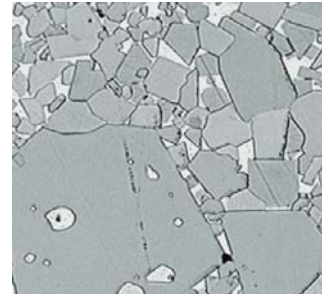


SRL-10
LBS .5
PN 850022
Rock Ripper® Augers
65 PC. Bucket
LBS 32.5
PN NA
2925 PC. Pallet
LBS 1463
PN NA

STRATA® DRILLING GRADE CARBIDE



STRATA® Carbide Grain Structure



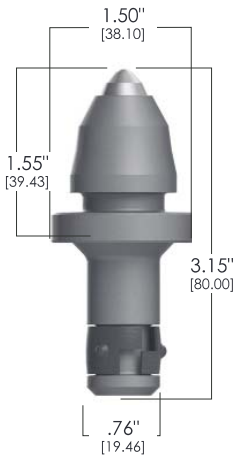
Conventional Carbide Grain Structure

IMAGES NOT TO SCALE

AUGER TEETH CONICAL



.76" SHANK SIZE



NO IMAGE AVAILABLE

SRS-16
LBS .5
PN 134912
Utility Augers
70 PC. BUCKET
LBS 25
PN NA
3000 PC. PALLET
LBS 1500
PN NA

SRZ-16
LBS .4
PN 850001
Utility Augers
45 PC. BUCKET
LBS 18
PN NA
2700 PC. PALLET
LBS 1080
PN NA

SRP-18
LBS .4
PN 850000
Utility Augers
45 PC. BUCKET
LBS 18
PN NA
2700 PC. PALLET
LBS 1080
PN NA

SRP-19
LBS .5
PN 850004
Utility Augers
45 PC. BUCKET
LBS 22.5
PN NA
2700 PC. PALLET
LBS 1350
PN NA

S-3KBF
LBS .5
PN 850003
Utility Augers
50 PC. Bucket
LBS 325
PN NA
3000 PC. Pallet
LBS 1500
PN NA

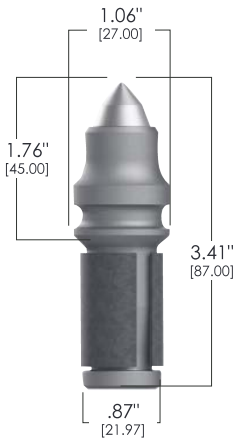


IMAGES NOT TO SCALE

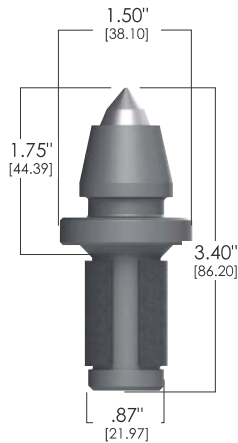
AUGER TEETH CONICAL



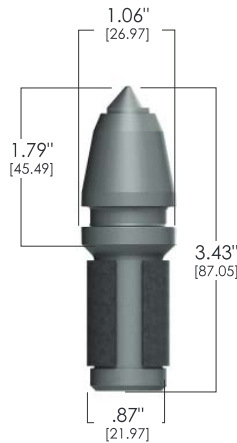
.87" SHANK SIZE



SL-02
LBS .56
PN 850031
Utility Augers
65 PC. BUCKET
LBS 36.4
PN 850206
2925 PC. PALLET
LBS 1638
PN NA



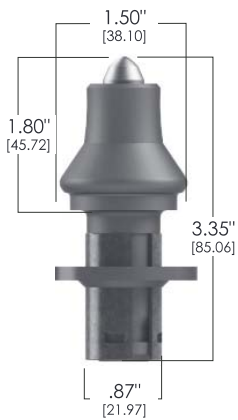
SM-02
LBS .3
PN 990062
Utility Augers
50 PC. BUCKET
LBS 15
PN NA
2250 PC. PALLET
LBS 675
PN NA



SL-04
LBS .5
PN 850016
Utility Augers
65 PC. BUCKET
LBS 32.5
PN 850202
2925 PC. PALLET
LBS 1463
PN NA



SM-04
LBS .8
PN 850014
Utility Augers
40 PC. BUCKET
LBS 36
PN NA
2400 PC. PALLET
LBS 2160
PN NA



SM-06
LBS .8
PN 850018
Utility Augers
50 PC. Bucket
LBS 40
PN NA
3000 PC. Pallet
LBS 2400
PN NA

SAR-150-87LR
LBS 2.6
PN 850011
Utility Augers
40 PC. Bucket
LBS 104
PN NA
1800 PC. Pallet
LBS 4680
PN NA

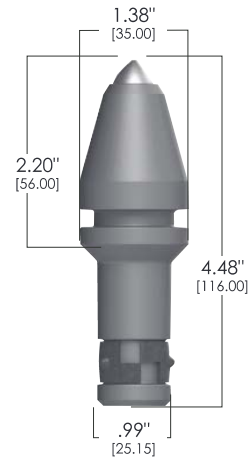
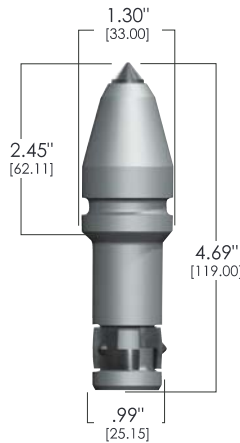
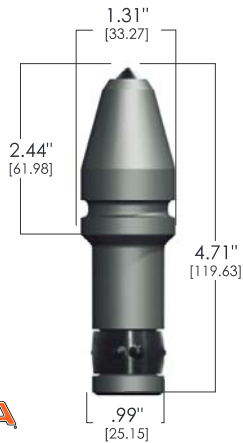
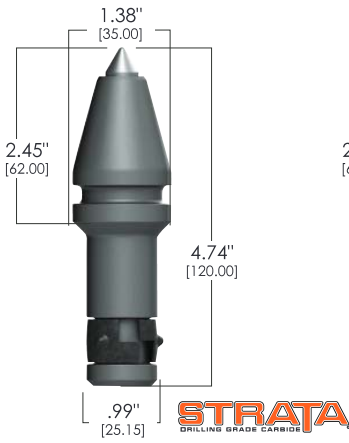


IMAGES NOT TO SCALE

AUGER TEETH CONICAL



1" SHANK SIZE



STRATA® SR-100
LBS 1.05
PN 850023
Utility & FND Augers
35 PC. BUCKET
LBS 36.75
PN 850201
1575 PC. PALLET
LBS 1654
PN 850212

S-31
LBS 1.05
PN 850026
Utility & FND Augers
35 PC. BUCKET
LBS 36.75
PN 850208
2100 PC. PALLET
LBS 2205
PN 850214

S-31HD
LBS 1.1
PN 850037
Utility & FND Augers
35 PC. BUCKET
LBS 38.5
PN 850210
1575 PC. PALLET
LBS 1733
PN 850216

SU40-HD
LBS 2.2
PN 850021
Utility & FND Augers
50 PC. BUCKET
LBS 110
PN NA
3000 PC. PALLET
LBS 6600
PN NA

TAKE YOUR DRILLING TO NEW DEPTHS!

STRATA

DRILLING GRADE CARBIDE

FIELD TESTED!

CUSTOMER APPROVED!

COMPARE and SAVE!

Prices recently reduced on our popular SR-100 and SR-104 Conical Teeth!

FREE SHIPPING on pallet orders of STRATA® teeth.

The STRATA® Proprietary Drilling Grade Teeth are Made Especially for the Drilling Industry!

The Improved Grade of Carbide in All Strata Teeth Increases The Life Cycle of The Tooth!

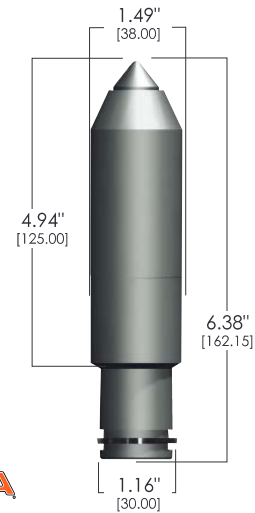
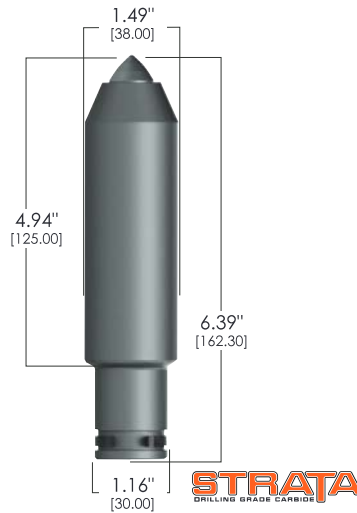
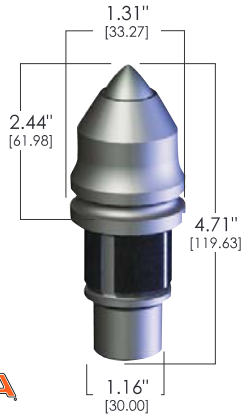
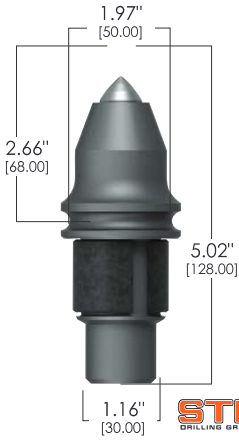
Less Down Time Means Increased Production and Productivity!

IMAGES NOT TO SCALE

AUGER TEETH CONICAL



STEP SHANK SIZE



STRATA® SR-122
LBS 2.6
PN 850034
Foundation Augers
10 PC. BUCKET
LBS 26
PN 850209
450 PC. PALLET
LBS 1170
PN 850215

S-22
LBS 2.6
PN 850039
Foundation Augers
10 PC. BUCKET
LBS 26
PN NA
450 PC. PALLET
LBS 1170
PN 850214

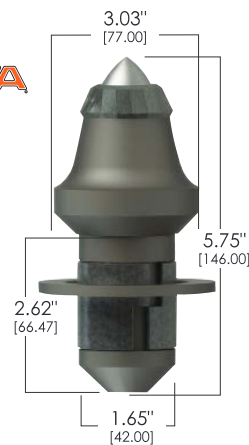
STRATA® SR-104
LBS 2.53
PN 850024
Foundation Augers
15 PC. BUCKET
LBS 37.95
PN 850207
675 PC. PALLET
LBS 1708
PN 850213

S4-1
LBS 2.6
PN 850038
Foundation Augers
15 PC. BUCKET
LBS 39
PN 850211
675 PC. PALLET
LBS 900
PN 850217

PC3Z
LBS 2.65
PN 850046
Foundation Augers
10 PC. Bucket
LBS 26.5
PN NA
450 PC. Pallet
LBS 1193
PN NA



STRATA® SR-165
LBS 3
PN 850048
Foundation Augers
1 PC. Bucket
LBS 3
PN NA



IMAGES NOT TO SCALE