

PARTS



**LET'S BREAK
GROUND
TOGETHER**



www.pengoattachments.com | 800.599.0211

powerful construction attachments

Parts Catalog


PILOT BITS | UTILITY
TRIFLOW

TRIFLOW® 600

Dirt Pilot Bit

- Patented Pilot Bit
- Three-fluted design for longer wear
- For use with MD Dirt and Quick Change Augers

Use PA-183-L Pilot Bit Adapter

LBS 8.5

PN 137357

TRIFLOW

TRIFLOW® 600

Dirt Pilot Bit with 1 3/4" Stem

- Patented Pilot Bit
- Three-fluted design for longer wear
- For use with MD Dirt and Quick Change Augers

LBS 16

PN 137331

P-6000

Dirt Pilot Bit

- For use with MD Step Rock and Quick Change Augers in Solid, Non-Fracturable Rock

LBS 8

PN 151275

P-1650

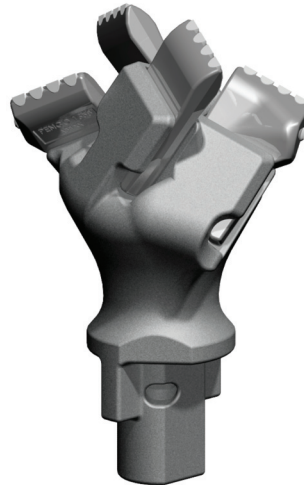
Dirt Pilot Bit Assembly

- For use with MD Dirt and Quick Change Augers

Includes:

- 2 - 1851 Fas-N-Lok® Teeth
- 2 - 1652 Dirt Gage Fas-N-Lok® Teeth
- 1 ea. - G5 1/2-14 Hex Bolt and Nut

LBS 20

PN 131726

P-1656

Pilot Bit Assembly

- For use with MD Augers in High Abrasion, Frozen Soil with Low Impact

Includes:

- 2 - 1851 Fas-N-Lok® Teeth
- 2 - 1652 Dirt Gage Fas-N-Lok® Teeth
- 1 ea. - G5 1/2-14 Hex Bolt and Nut

LBS 24

PN 131727

RCP-6.5

Pilot Bit Assembly

- For use with MD Augers in Fracturable Rock

Includes:

- 5 - S-387LR Bullet Teeth
- 1 - PC-387 Bullet Tooth
- 1 - CP-18 Center Point
- 1 ea. - G5 1/2-13 Hex Bolt and Nut

Use Center Point 16 (132524) or 18 (151272)

LBS 18

PN 132116


PILOT BITS | UTILITY

50-TCH-171L Pilot

Tungsten Carbide Head
 Pilot Bit Assembly
 - For use with MD Step Rock Augers
 - Solid, Non-fracturable rock

Includes:

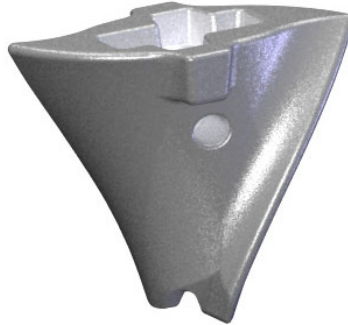
1 ea. - G5 1/2-16 Hex Bolt and Nut

LBS 6.5

PN 133266

Additional TCH Pilots:

45-TCH-171M 4.5 lbs. PN 133578
 5.5-TCH-171L 6.1 lbs. PN 133267
 6.5-TCH-171L 8.3 lbs. PN 133268
 8.5-TCH-171L 9.9 lbs. PN 133269
 9.5-TCH-171L 11 lbs. PN 133270


FH-205

Screw Bit Pilot Assembly
 - For use with MD Dirt and Quick
 Change Augers
 - Abrasive, Frozen Soil with
 Low Impact

Includes:

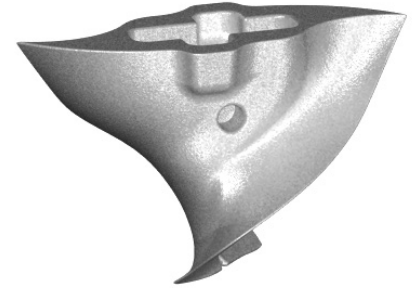
1 ea. - G5 3/8-16 Hex Bolt and Nut

LBS 2.68

PN 157382

Additional FH-205 Pilots:

FH-205C 2.1 lbs. PN 132260
 FH-205CXC 2.1 lbs. PN 132825
 FH-205HF 2.1 lbs. PN 137275
 FH-205HFTC 3.7 lbs. PN 133264
 FH-205HFF 3 lbs. PN 132201


SB-50

Screw Bit Pilot Assembly
 - For use with MD Dirt Augers
 - Abrasive, Frozen Soil with
 Low Impact

Includes:

1 ea. - G5 1/2-16 Hex Bolt and Nut

Use PA-183-L Pilot Bit Adapter

LBS 3.4

PN 131728

Additional Screw Bit Pilots:

SB-50C 3.4 lbs. PN 131751
 SB-50HF 3.6 lbs. PN 132937
 SB-50HFTC 3.1 lbs. PN 132624
 SB-60 4.4 lbs. PN 132029
 SB-60C 4.6 lbs. PN 132803
 SB-60CXC 4.6 lbs. PN 133252
 SB-60HF 4.6 lbs. PN 133251
 SB-60HFTC 5.5 lbs. PN 133254
 SB-70 4.5 lbs. PN 132185
 SB-70C 4.8 lbs. PN 132368
 SB-70CXC 4.9 lbs. PN 133255
 SB-70HF 4.5 lbs. PN 132960
 SB-70HFTC 4.6 lbs. PN 133256
 SB-80 5.5 lbs. PN 132198
 SB-80C 5.4 lbs. PN 132638
 SB-80CXC 5.4 lbs. PN 133258
 SB-80HF 5.4 lbs. PN 133257
 SB-80HFTC 5.4 lbs. PN 133259
 SB-90 5.8 lbs. PN 132552
 SB-90C 5.8 lbs. PN 133260
 SB-90CXC 5.8 lbs. PN 133261
 SB-90HF 5.5 lbs. PN 132898
 SB-90HFTC 5.8 lbs. PN 133271
 SB-100 6.3 lbs. PN 132363
 SB-100C 6.2 lbs. PN 132903
 SB-100HFTC 6.3 lbs. PN 133272

SIZE GUIDE:

50 = 5", 60 = 6", 70 = 7", 80 = 8", 90 = 9",
 and 10 = 10"

RRP-MD ROCK RIPPER®

Rock Pilot Bit Assembly
 - Patented Rock Pilot for Rock
 Ripper Augers
 - Features NEW Strata SR76 Teeth
 - Use in Hard Rock Applications

Includes:

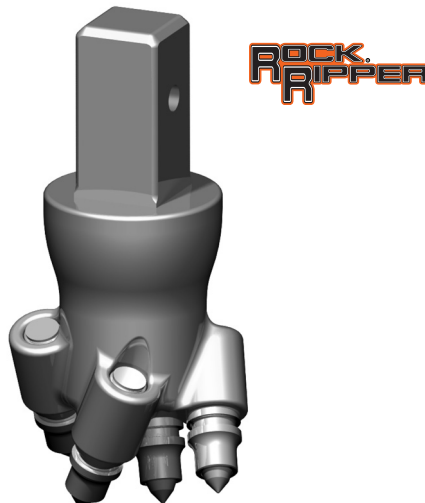
4 - SR-76 Bullet Teeth
 1 ea. - G5 1/2-13 Hex Bolt and Nut

LBS 16

PN 134675

Additional Rock Ripper Pilots:

RR-1.75 SQ 15 lbs. PN 137208
 RR-API/C20 17 lbs. PN 157406





PILOT BITS | CONSTRUCTION



TRIFLOW

TRIFLOW® 350

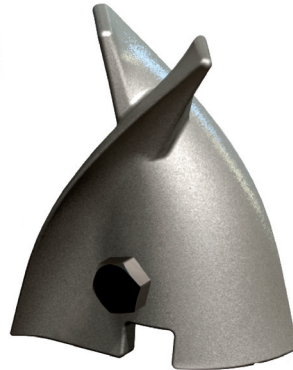
Dirt Pilot Bit

- Patented Pilot Bit
- Three-fluted design for longer wear
- For use with Pengo AGGRESSOR, TriMax and Ag Max Augers

Does not include Hex Bolt/Nut

LBS 5

PN 135088



SB-25

Screw Bit Pilot Bit Assembly

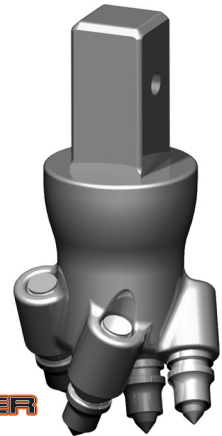
- Use with CS Augers
- Abrasive, Frozen Soil with Low Impact
- Use PA-183-L Pilot Bit Adapter

Includes:

1 ea. G5 5/16 Hex Bolt and Nut

LBS .6

PN 131740



ROCK RIPPER

RRP-1.75 SQ

Rock Ripper® Pilot Bit Assembly

- Patented Rock Pilot for Rock Ripper Augers
- Features NEW Strata SR76 Teeth
- Use in Hard Rock Applications

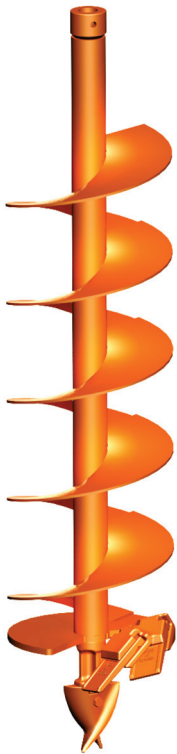
Includes:

4 - SR-76 Bullet Teeth

1 ea. - G5 1/2-13 Hex Bolt and Nut

LBS 15

PN 137208



*SHOWN:
CS Auger
with SB-25 Pilot
and
35 Series
Fas-N-Lok®
Teeth*

SIZE GUIDE:

25 = 2 1/2", 30 = 3",
35 = 3 1/2",
and 45 = 4 1/2"



SB-35 175

Screw Bit Pilot

- Use with AG AGGRESSOR
- Abrasive, Frozen Soil with Low Impact

LBS 3.9

PN 151318

Screw Bit Pilots

SB-25C	.6 lbs.	PN 132135
SB-25CXC	.9 lbs.	PN 132758
SB-25HF	1.5 lbs.	PN 132266
SB-25HFTC	1.4 lbs.	PN 132590
SB-30	1.4 lbs.	PN 131766
SB-30C	1.5 lbs.	PN 131764
SB-30CXC	1.5 lbs.	PN 131765
SB-30HF	1.6 lbs.	PN 132359
SB-30HFTC	1.6 lbs.	PN 133250
SB-35	1.2 lbs.	PN 133402
SB-35C	1.2 lbs.	PN 133403
SB-35CXC	1.2 lbs.	PN 133404
SB-35HF	2.1 lbs.	PN 133405
SB-35HFTC	2.8 lbs.	PN 133406
SB35SQ	2.8 lbs.	PN 136809
SB35SQ HF	4 lbs.	PN 136816
SB-45	3.0 lbs.	PN 133407
SB-45C	3.1 lbs.	PN 133408
SB-45CXC	3.3 lbs.	PN 133409
SB-45HF	3.2 lbs.	PN 133410
SB-45HFTC	3.2 lbs.	PN 133411

HF = Hard-faced

Hardfaced dirt teeth and pilot are for use in abrasive soil.

C = Carbide Tipped

Carbide tipped dirt pilots are for use in highly abrasive soil and frozen ground.

CXC = Carbide

Carbide dirt teeth and pilot are for use in highly abrasive soil and frozen ground.

HFTC = Hard-faced Carbide

Hardfaced Tungsten Carbide dirt teeth and pilot are for use inabrasive and high impact soil.


PILOT BITS | FOUNDATION

TRIFLOW
TRIFLOW® 1000

Dirt Pilot Bit Assembly

- Patented Pilot Bit
- Three-fluted design for longer wear
- For use with Pressure Digger, Foundation and ACIP Augers

Includes:

1 ea. - G5 3/4-10 Hex Bolt and Nut

LBS 20

PN 137348

B47-10

Rock Pilot Bit Assembly

- 4" Square Stem
- Features the New STRATA SR122 Conical Teeth
- Use with 1 1/2" Foundation Rock and Spiral Rock Augers

Includes:

4 - SR-122 Bullet Teeth

1 - G8 1-8 Hex Bolt

1 - G5 1-8 Hex Nut

LBS 72

PN 135965

Additional B47 Pilots:

B47-HF 78 lbs. PN 159216


C31HD-8.5

Rock Pilot Bit Assembly

Includes:

4 - SR-100 Bullet Teeth

1 ea. - G5 3/4-10 Hex Bolt and Nut

For use with 1" Single Row, Double Row, Combo Drilling Bucket, ACIP and Pressure Augers in Undesirable Rocky Conditions
LBS 30

PN 135913

Additional C31HD Pilots:

C31HD 8.5 HF 33 lbs. PN 135939

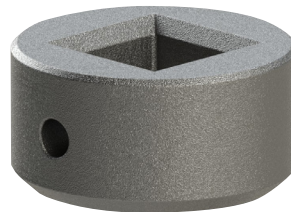
C31HD 8.5 HFCH 35 lbs. PN 135912


SD-60-175

Pilot Bit Assembly

- 2-Fluted Pilot

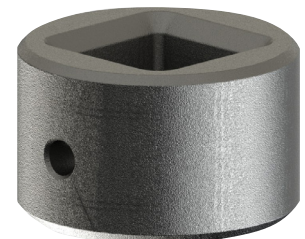
LBS 15

PN 135983

S-250

2 1/2" Square Pilot Bit Adapter

- Use with TF-1000 Pilot
- 2.5" X 6" OD

LBS 18

PN 151598

S-400

4" Square Pilot Bit Adapter

- Use with B47-10 Pilot
- 4" X 8" OD

LBS 43

PN 135904

HF = Hard-faced

Hardfaced dirt teeth and pilot are for use in abrasive soil.

C = Carbide Tipped

Carbide tipped dirt pilots are for use in highly abrasive soil and frozen ground.

CXC = Carbide

Carbide dirt teeth and pilot are for use in highly abrasive soil and frozen ground.

HFTC = Hard-faced Carbide

Hardfaced Tungsten Carbide dirt teeth and pilot are for use inabrasive and high impact soil.



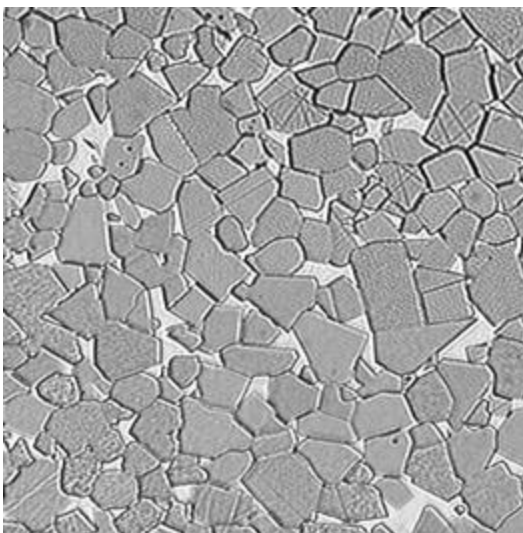
STRATA

DRILLING GRADE CARBIDE

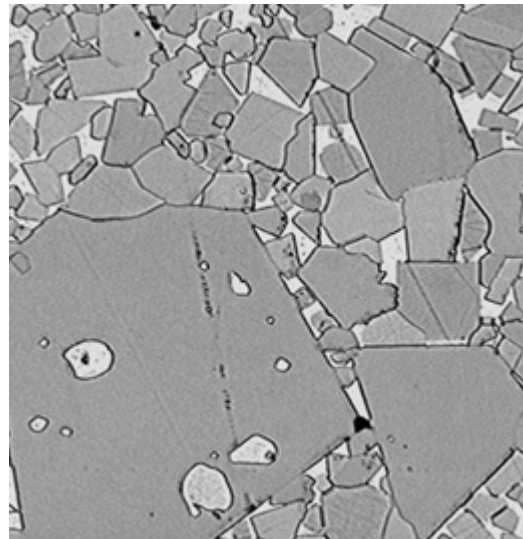
PENGO is proud to introduce the STRATA series drilling grade conical carbide tools. STRATA series tools are designed to withstand the toughest drilling conditions and provide the highest return on investment. All STRATA series tools use a proprietary grade carbide developed specifically for vertical drilling applications. This specific grade of tungsten carbide utilizes a same size same shape grain structure allowing for a very uniform pattern free of impurities. This attention to high quality uniformity ensures each STRATA series tool has:

- *Better high temperature wear resistance.*
- *Increased fracture toughness.*
- *Consistent wear characteristics in vertical drilling applications.*
- *Longer service life. Which means more up time ands fewer tool changes.*

All STRATA conical tools are manufactured in the USA!



Strata Series Carbide Grain Structure



Conventional Carbide Grain Structure

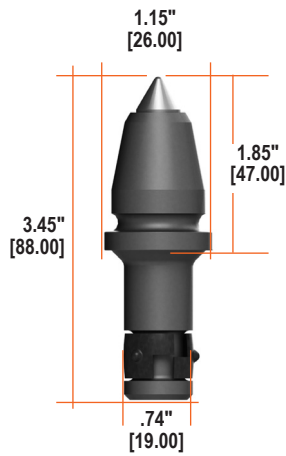


**Take your drilling
 to new depths
 with The New
 STRATA
 Drilling Grade
 Carbide Teeth!**

The STRATA Proprietary Drilling Grade Teeth are Made Especially for the Drilling Industry!

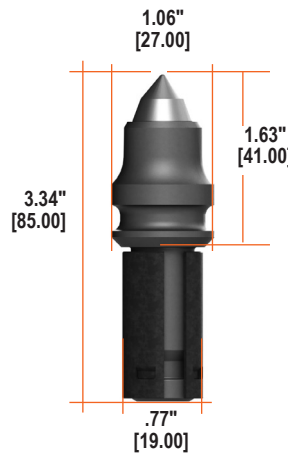
The Improved Grade of Carbide in All Strata Teeth Increases The Life Cycle of The Tooth

Less Down Time Means Increased Production and Productivity!



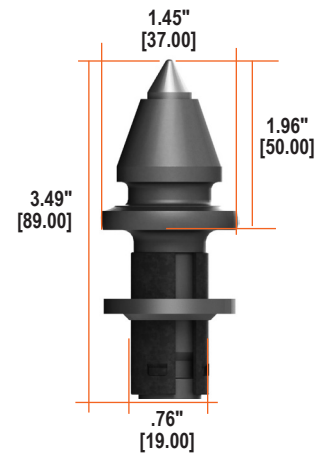
SR-74
 Conical Tooth
 - .74" Shank Diameter
 - New Carbide Angle for Increased Penetration
 - Improved Carbide Grade
 PN 850027

POCKET	LBS	BUCKET QTY.
P20	.65	65



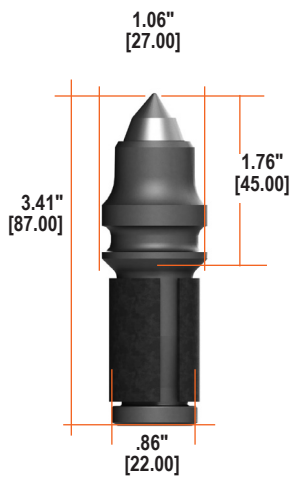
SR-76
 Conical Tooth
 - .76" Shank Diameter
 - New Carbide Angle for Increased Penetration
 - Improved Carbide Grade
 PN 850032

POCKET	LBS	BUCKET QTY.
P10	.65	60



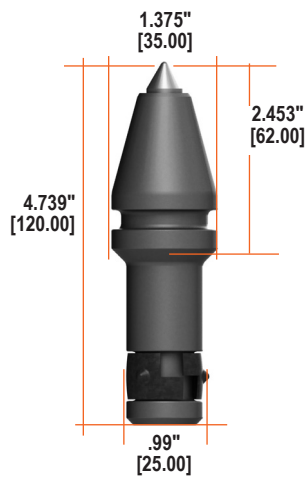
SR-76SW
 Conical Tooth
 - .76" Shank Diameter
 - Sleeve Washer
 - New Carbide Angle for Increased Penetration
 - Improved Carbide Grade
 PN 850035

POCKET	LBS	BUCKET QTY.
P10	.56	50



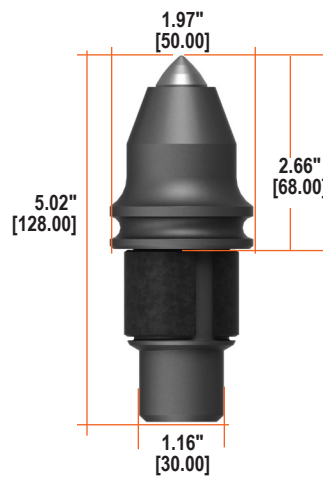
SR-86
 Conical Tooth
 - .86" Shank Diameter
 - New Carbide Angle for Increased Penetration
 - Improved Carbide Grade
 PN 850031

POCKET	LBS	BUCKET QTY.
P-87	.56	60



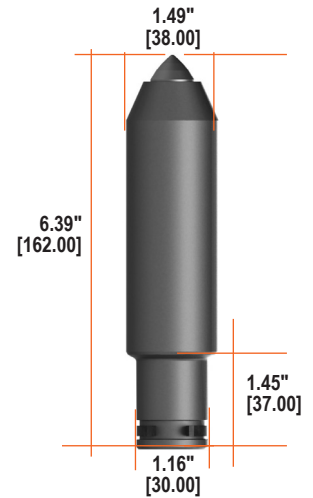
SR-100
 Conical Tooth
 - 1" Shank Diameter
 - Carbide Angle for Increased Penetration
 - New Carbide Grade
 PN 850023

POCKET	LBS	BUCKET QTY.
P30 & P30F	1.1	35



SR-122
 Conical Tooth
 - Step Shank
 - New Carbide Grade
 PN 850034

POCKET	LBS	BUCKET QTY.
D38	2.6	12

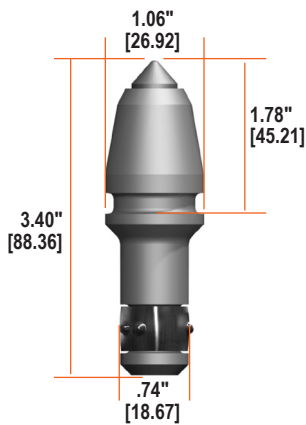


SR-104
 Conical Tooth
 - Step Shank
 - New Hair Pin Clip
 - New Carbide Grade
 PN 850024

POCKET	LBS	BUCKET QTY.
P4	2.6	15



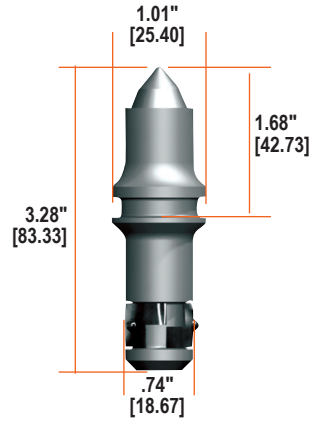
CONICAL TEETH



S21
Conical Tooth
- .74" Shank
- Internal Retainer
- Design Evenly Distributes Impact Loads Through Tool Shoulder
- Ideal for Use in Hard, High Impact Conditions

PN 850025

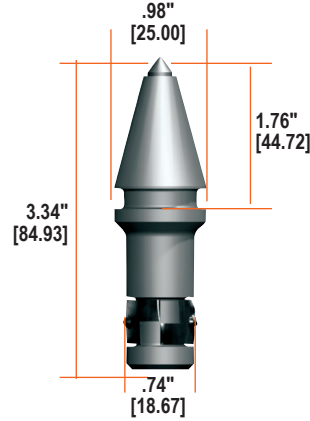
POCKET	LBS	BUCKET QTY.
P20	.3	65



S23
Conical Tooth
- .74" Shank
- Internal Retainer
- Design Evenly Distributes Impact Loads Through Tool Shoulder
- Ideal for Use in Hard, High Impact Conditions

PN 850033

POCKET	LBS	BUCKET QTY.
P20	.3	65

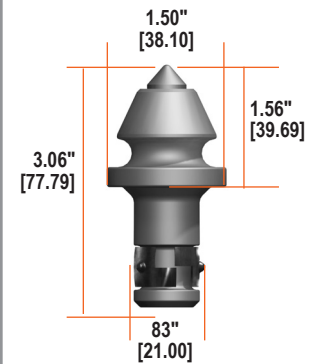


S24
Conical Tooth
- .74" Shank
- Internal Retainer
- Design Evenly Distributes Impact Loads Through Tool Shoulder
- Ideal for Use in Hard, High Impact Conditions

PN 850029

POCKET	LBS	BUCKET QTY.
P20	.4	75

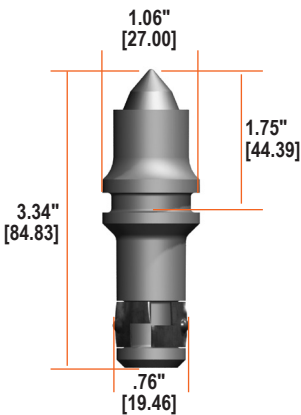
BoRH Teeth



S21RR
Conical Tooth
- .83" Shank Diameter
- Replacement Tooth in PENGOS BoRH - Bolt On Rock Head
- Internal Retainer
- Hard Rock, Concrete

PN 850019

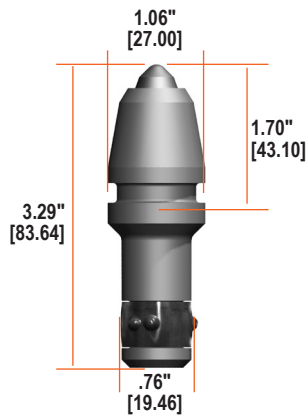
LBS	BUCKET QTY.
.59	50



SRL-9
Conical Tooth
- .76" Shank
- Internal Retainer
- Design Evenly Distributes Impact Loads Through Tool Shoulder
- Hard, High Impact

PN 850017

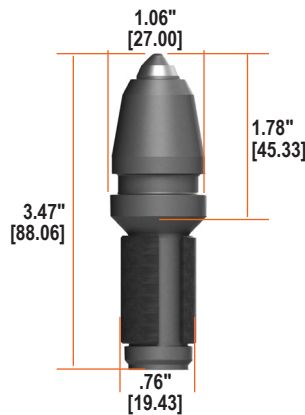
POCKET	LBS	BUCKET QTY.
P10	.5	65



SRL-10
Conical Tooth
- .76" Shank
- Internal Retainer
- Design Evenly Distributes Impact Loads Through Tool Shoulder
- Hard, High Impact

PN 850022

POCKET	LBS	BUCKET QTY.
P10	.5	65



SRL-07
Conical Tooth
- .76" Shank
- Internal Retainer
- Hard, High Impact

PN 850009

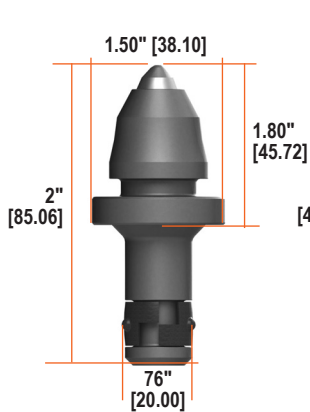
POCKET	LBS	BUCKET QTY.
P10	.5	35



The Pengo S21RR Tooth was designed exclusively for the Pengo BoRH® (Bolt-on Rock Head) which converts the Pengo Aggressor® auger into a rock auger in minutes. The stout S21-RR design works well in hard rock and concrete conditions and the enlarged tooth shoulder helps to protect the BoRH™ from wear.



CONICAL TEETH

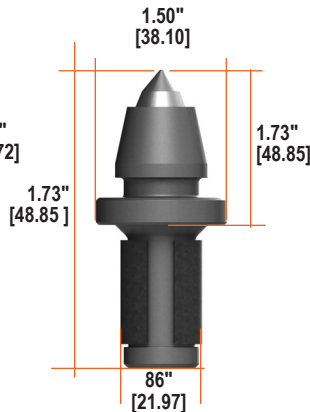


SRS16

- Conical Tooth
- 76" Shank Diameter
- Internal Retainer
- Hard, High Impact

PN 850020

POCKET	LBS	BUCKET QTY.
0	.5	50

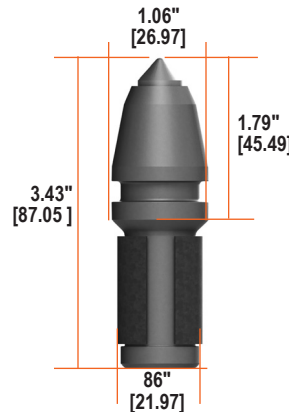


S-387BF

- Conical Tooth
- .86" Shank Diameter
- Internal Retainer
- Design Evenly Distributes Impact Loads Through Tool Shoulder
- Hard, High Impact

PN 850030

POCKET	LBS	BUCKET QTY.
S87HDS	.3	65

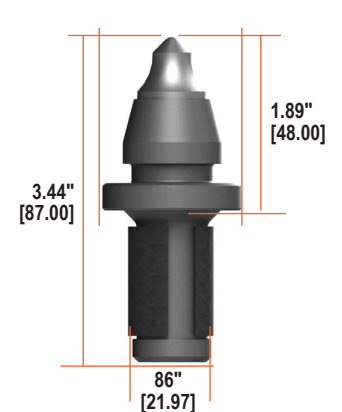


SL-04

- Conical Tooth
- .86" Shank Diameter
- Internal Retainer
- Design Evenly Distributes Impact Loads Through Tool Shoulder
- Hard, High Impact

PN 850016

POCKET	LBS	BUCKET QTY.
S87HDS	.5	65

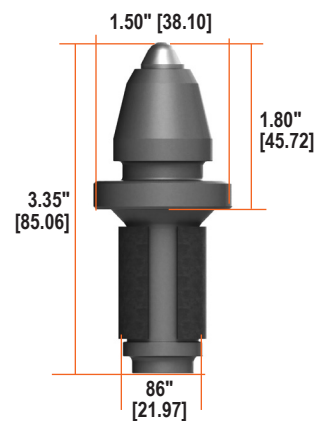


SM04

- Conical Tooth
- 86" Shank Diameter
- Internal Retainer
- Hard, High Impact

PN 850014

LBS	BUCKET QTY.
.8	45

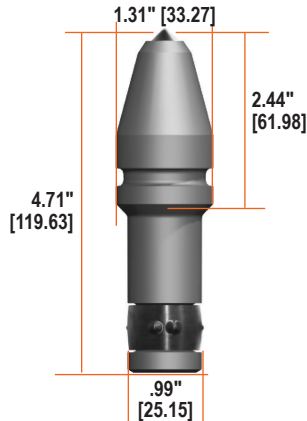


SM06

- Conical Tooth
- 86" Shank Diameter
- Standard Body Design
- Design Evenly Distributes Impact Loads Through Tool Shoulder
- Hard, High Impact

PN 850018

LBS	BUCKET QTY.
.8	50

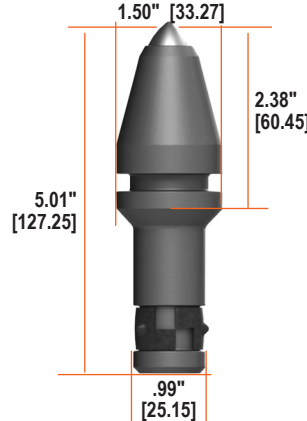


S31

- Conical Tooth
- 1" Shank Diameter
- Smaller Tip for Increased Penetration
- Improved Carbide Grade
- Internal Retainer
- Hard Rock, Concrete

PN 850026

LBS	BUCKET QTY.
1.3	35



SU40-HD

- Conical Tooth
- 1" Shank Diameter
- Internal Retainer
- Hard, High Impact

PN 850021

LBS	BUCKET QTY.
2.2	35

Conical Teeth

SRZ16
Bucket Qty. 65
PN 850001

SRP18
Bucket Qty. 45
PN 850000

SRP19
Bucket Qty. 50
PN 850004

S3KBF
Bucket Qty. 50
PN 850003

S3KBF-LN
Bucket Qty. 50
PN 850002

S20HP
Puller Bit
- Easily Remove the Pengo's Conical Teeth
PN 850005


DIRT TEETH | UTILITY


1650
 Dirt Tooth
 - FAS-N-LOK®
 - Replacement Teeth for Pengo MD Boring Heads & Quick Change Augers
 - Typical Dirt Applications
PN 140200

POCKET	LBS	BUCKET QTY.
1XS, BT-100, WT-50	.5	50



1652
 Dirt Gage Tooth
 - FAS-N-LOK®
 - Replacement Teeth for Pengo MD Boring Heads & Quick Change Augers
 - Typical Dirt Applications
PN 140020

POCKET	LBS	BUCKET QTY.
1XS, BT-100, WT-50	1.1	50



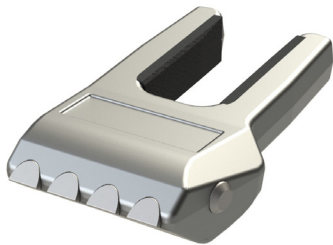
1652HF
 Dirt Gage Tooth
 - FAS-N-LOK®
 - Replacement Teeth for Pengo MD Boring Heads & Quick Change Augers
 - Typical Dirt Applications
PN 140086

POCKET	LBS	BUCKET QTY.
1XS, BT-100, WT-50	1	50



1656
 Carbide Dirt Tooth
 - FAS-N-LOK®
 - Replacement Teeth for Pengo MD Boring Heads & Quick Change Augers
 - High Abrasion, Frozen Soil, Low Impact
PN 140005

POCKET	LBS	BUCKET QTY.
1XS, BT-100, WT-50	.59	25



1658
 Carbide Dirt Gage Tooth
 - FAS-N-LOK®
 - Replacement Teeth for Pengo MD Boring Heads & Quick Change Augers
 - High Abrasion, Frozen Soil, Low Impact
PN 140006

POCKET	LBS	BUCKET QTY.
1XS, BT-100, WT-50	1	25



1851
 Dirt Tooth
 - FAS-N-LOK®
 - Replacement Teeth for Pengo MD Boring Heads & Quick Change Augers
 - Typical Dirt Applications
PN 140017

POCKET	LBS	BUCKET QTY.
1XS, BT-100, WT-50	.5	50



RB56
 Ridge Breaker Tooth
 - FAS-N-LOK®
 - Replacement Teeth for Pengo MD Boring Heads & Quick Change Augers
 - Typical Dirt Applications
PN 140022

POCKET	LBS	BUCKET QTY.
1XS, BT-100, WT-50	.5	25



RB58
 Carbide Dirt Tooth
 - FAS-N-LOK®
 - Replacement Teeth for Pengo MD Boring Heads & Quick Change Augers
 - Typical Dirt Applications
PN 140015

POCKET	LBS	BUCKET QTY.
1XS, BT-100, WT-50	.59	25

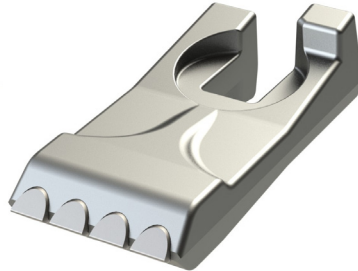


DIRT TEETH | CONSTRUCTION



40/50
Dual Angle Dirt Tooth
- Replacement Teeth for Pengo AGGRESSOR Augers
- Typical Dirt Applications
PN 134501

POCKET	LBS	BUCKET QTY.
X	.5	100



40/50C
Dual Angle Carbide Dirt Tooth
- Replacement Teeth for Pengo AGGRESSOR Augers
- Abrasive and Frozen Soil, No Impact
PN 134519

POCKET	LBS	BUCKET QTY.
X	.5	25



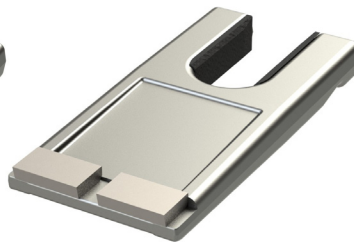
40/50HFF
Dual Angle Hardface Dirt Tooth
- Replacement Teeth for Pengo AGGRESSOR Augers
- Abrasive and Frozen Soil, Impact
PN 134802

POCKET	LBS	BUCKET QTY.
X	.5	25



35
Dirt Tooth
- FAS-N-LOK®
- Replacement Teeth for CS and AG AGGRESSOR Augers
- Typical Dirt Applications
PN 133835

POCKET	LBS	BUCKET QTY.
T-35; T-36	.4	100



35C
Carbide Dirt Tooth
- FAS-N-LOK®
- Replacement Teeth for CS and AG AGGRESSOR Augers
- Compacted Rock, Abrasive, No Impact
PN 140007

POCKET	LBS	BUCKET QTY.
T-35; T-36	.4	50



35HF
Hardface Dirt Tooth
- FAS-N-LOK®
- Replacement Teeth for AG AGGRESSOR and CS Augers
- Abrasive, Impact
PN 140008

35HFF PN 140009

POCKET	LBS	BUCKET QTY.
T-35; T-36	.6	50

In 2008 Pengo developed the FAS-N-LOK Series of dirt teeth. Fas-N-Lok teeth incorporates vulcanized rubber on the inside surface of the tooth, saving you time and money!



TYPE Dirt Tooth
DRILLING dirt, ordinary digging

TYPE Carbide Tooth
DRILLING highly abrasive soil, frozen ground

TYPE Gage Tooth
DRILLING dirt, ordinary digging

TYPE Carbide Gage
DRILLING highly abrasive soil, frozen ground

TYPE Carbide Rock
DRILLING rock, compacted soil

TYPE Hard Faced - one side
DRILLING abrasive soil, impact

TYPE Hard Faced - two sides (HFF)
DRILLING abrasive soil, impact

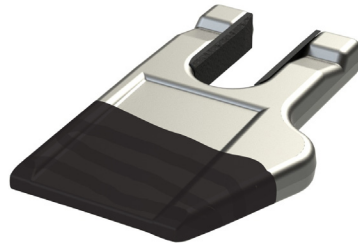
TYPE Ridge Breaker
DRILLING high abrasion, frozen soil, low impact

Due to varying manufacturers tolerances, Rub-R-Lok might be necessary to obtain the correct fit.


DIRT TEETH | CONSTRUCTION


37
 Dirt Gage Tooth
 - FAS-N-LOK®
 - Replacement Teeth for Pengo Quick Change, AG Max and TRIMAX Augers and Boring Heads
 - Typical Dirt Applications
PN 140027

POCKET	LBS	BUCKET QTY.
T-35; T-36	.5	50



37HF
 Dirt Hardface Gage Tooth
 - FAS-N-LOK®
 - Replacement Teeth for Pengo Quick Change, AG Max and TRIMAX Augers and Boring Heads
 - Abrasive, Impact
PN 140010

POCKET	LBS	BUCKET QTY.
T-35; T-36	.6	50



1336L
 Carbide Dirt Tooth
 - FAS-N-LOK®
 - Replacement Teeth for TRIMAX and CS Augers
 - Abrasive Frozen Soil
PN 140016

POCKET	LBS	BUCKET QTY.
T-35; T-36	.6	100



RB36LC
 Carbide Dirt Tooth
 - FAS-N-LOK®
 - Replacement Teeth for TRIMAX and CS Augers
 - Abrasive Frozen Soil
PN 140021

POCKET	LBS	BUCKET QTY.
T-35; T-36	.6	100



5T30
 Carbide Dirt Tooth
 - FAS-N-LOK®
 - Replacement Teeth for Pengo TRIMAX Augers and Boring Heads
 - Loose Rock, Abrasive, No Impact
PN 140029

POCKET	LBS	BUCKET QTY.
T-35; T-36	.4	100



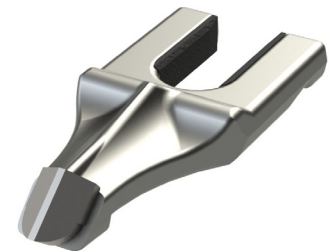
5T30C
 Carbide Dirt Tooth
 - FAS-N-LOK®
 - Replacement Teeth for Pengo TRIMAX Augers and Boring Heads
 - Compacted Rock, Abrasive Soil, No Impact
PN 140012

POCKET	LBS	BUCKET QTY.
T-35; T-36	.4	50



5T30HF
 Carbide Dirt Tooth
 - FAS-N-LOK®
 - Replacement Teeth for Pengo TRIMAX Augers and Boring Heads
 - Rock, High Impact
PN 140014

POCKET	LBS	BUCKET QTY.
T-35; T-36	.6	50



RB5T30
 Carbide Gage Tooth
 - FAS-N-LOK®
 - Replacement Teeth for Pengo TRIMAX Augers and Boring Heads
 - Rock, High Impact
PN 140013

POCKET	LBS	BUCKET QTY.
T-35; T-36	.6	100


DIRT TEETH | FOUNDATION


2070
 Dirt Tooth
 - FAS-N-LOK®
 - Replacement Teeth for
 Cast Replacement Heads
 - Typical Dirt Applications
PN 140002

POCKET	LBS	BUCKET QTY.
WA & FA 70	2	20



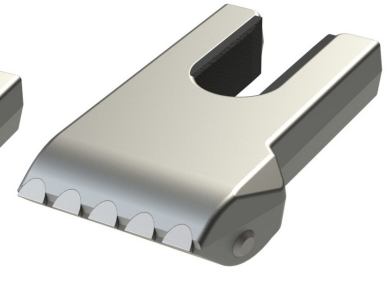
2072
 Dirt Gage Tooth
 - FAS-N-LOK®
 - Replacement Teeth for
 Cast Replacement Heads
 - Typical Dirt Applications
PN 140000

POCKET	LBS	BUCKET QTY.
WA & FA 70	2.3	20



2077
 Carbide Dirt Tooth
 - FAS-N-LOK®
 - Replacement Teeth for
 Cast Replacement Heads
 - High Abrasion
PN 140003

POCKET	LBS	BUCKET QTY.
WA & FA 70	2.3	20



2078
 Carbide Gage Tooth
 - FAS-N-LOK®
 - Replacement Teeth for
 Cast Replacement Heads
 - High Abrasion
PN 140004

POCKET	LBS	BUCKET QTY.
WA & FA 70	2.4	20



2079
 Carbide Dirt Tooth
 - FAS-N-LOK®
 - Replacement Teeth for
 Cast Replacement Heads
 - High Abrasion
PN 140001

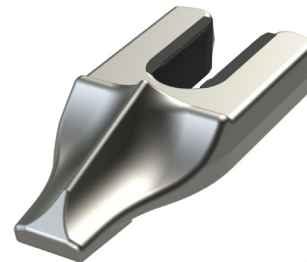
POCKET	LBS	BUCKET QTY.
WA & FA 70	3.3	20



16R55
 Dirt Tooth
 - FAS-N-LOK®
 - Replacement Teeth for
 Foundation Dirt Augers
 - Typical Dirt Applications
PN 140019

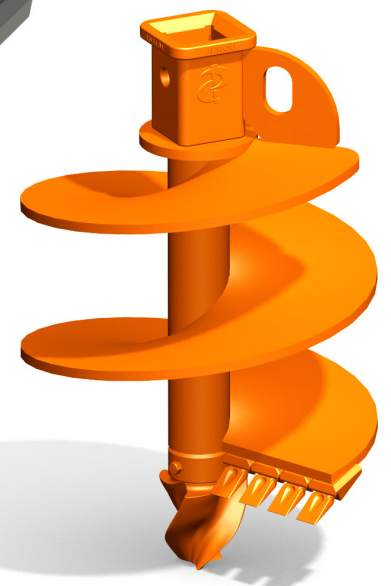
16R51 Bident Tooth
 1.1 lb. PN 140509

POCKET	LBS	BUCKET QTY.
B-256, C-355, E-555	1	50



7R55
 Carbide Chisel Dirt Tooth
 - FAS-N-LOK®
 - Replacement Teeth for
 Foundation Dirt Augers
 - High Abrasion
PN 140018

POCKET	LBS	BUCKET QTY.
B-256, C-355, E-555	1	50




TAPER FIT TEETH


60
 Dirt Tooth
 - Replacement Teeth for
 Foundation Augers
 - Typical Dirt Applications
PN 170006



70
 Dirt Tooth
 - Replacement Teeth for
 Foundation Augers
 - Typical Dirt Applications
PN 170020



80
 Dirt Tooth
 - Replacement Teeth for
 Foundation Augers
 - Typical Dirt Applications
PN 170008



80C
 Dirt Tooth
 - Replacement Teeth for
 Foundation Augers
 - Typical Dirt Applications
PN 170003

POCKET	LBS	BUCKET QTY.
WO-1	1	50

POCKET	LBS	BUCKET QTY.
WO-1	1	50

POCKET	LBS	BUCKET QTY.
WO-12	2	25

POCKET	LBS	BUCKET QTY.
WO-12	1.7	12



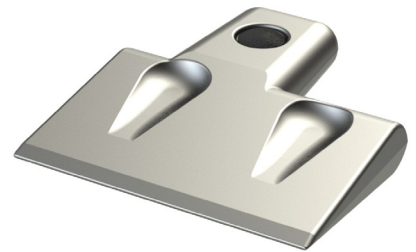
90P
 Dirt Tooth
 - Replacement Teeth for
 Foundation Augers
 - Typical Dirt Applications
PN 134855



95P
 Dirt Tooth
 - Replacement Teeth for
 Foundation Augers
 - Typical Dirt Applications
PN 170015



132
 Dirt Tooth
 - Replacement Teeth for
 Foundation Augers
 - Typical Dirt Applications
PN 134406



134
 Dirt Tooth
 - Replacement Teeth for
 Foundation Augers
 - Typical Dirt Applications
PN 134411

SZ90P SubZero Tooth
 1.75 lbs. PN 134792

POCKET	LBS	BUCKET QTY.
WO-12	1.63	25

POCKET	LBS	BUCKET QTY.
WO-12	1.5	25

POCKET	LBS	BUCKET QTY.
WO-5; WO5HDS	2	15

POCKET	LBS	BUCKET QTY.
WO-5; WO5HDS	2	15


TAPER FIT TEETH


201
 Dirt Tooth
 - Replacement Teeth for Foundation Augers
 - Typical Dirt Applications
PN 170030



201C
 Carbide Tooth
 - Replacement Teeth for Foundation Dirt Augers
 - High Abrasion Digging
PN 170029



211
 Dirt Tooth
 - Replacement Teeth for Foundation Dirt Augers
 - High Abrasion
PN 170034



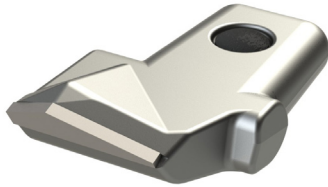
299
 Carbide Tooth
 - Replacement Teeth for Foundation Dirt Augers
 - High Abrasion
PN 134659

POCKET	LBS	BUCKET QTY.
WO-5; WO5HDS	2.1	20

POCKET	LBS	BUCKET QTY.
WO-5; WO5HDS	2.1	20

POCKET	LBS	BUCKET QTY.
WO-5; WO5HDS	2.9	20

POCKET	LBS	BUCKET QTY.
WO-5; WO5HDS	2.8	20



PFC2
 Carbide Tooth
 - Replacement Teeth for Foundation Dirt Augers
 - High Abrasion
PN 140112



PFC5
 Carbide Tooth
 - Replacement Teeth for Foundation Dirt Augers
 - High Abrasion
PN 140115



SZ210
 Sub Zero Tooth
 - Replacement Teeth for Foundation Dirt Augers
 - High Abrasion
PN 170032



SZ211
 Sub Zero Tooth
 - Replacement Teeth for Foundation Dirt Augers
 - High Abrasion
PN 170039

POCKET	LBS	BUCKET QTY.
WO-5; WO5HDS	2.5	20

POCKET	LBS	BUCKET QTY.
PFC-5H	1	50

POCKET	LBS	BUCKET QTY.
WO-8; WO-5; WO5HDS	2.5	15

POCKET	LBS	BUCKET QTY.
WO-8; WO-5; WO5HDS	3.5	15



DRAG STYLE TEETH



CB10
 Carbide Tooth
 - Replacement Teeth for MD and GP Step Rock Augers
 - Dirt, Sand, Clay
PN 140055



604C
 Carbide Tooth
 - Replacement Teeth for MD and GP Step Rock Augers
 - Hard Rock
PN 140065



CU7
 Carbide Tooth
 - Replacement Teeth for MD and GP Step Rock Augers
 - Dirt, Sand, Clay
PN 134084



CJ2
 Carbide Tooth
 - Replacement Teeth for MD and GP Step Rock Augers
 - Dirt, Sand, Clay
PN 850028

U7L Sub Zero
 .55 lbs. PN 134083

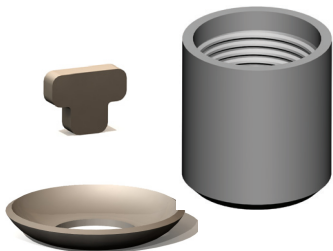
POCKET	LBS	BUCKET QTY.
H-10	.8	100

POCKET	LBS	BUCKET QTY.
H-10	.55	50

POCKET	LBS	BUCKET QTY.
CJ-2	.55	50

POCKET	LBS	BUCKET QTY.
CJ-2	.69	50

ACCESSORIES



STORAGE
 - For Your MD Auger
 10" 1345-3.75 DISH
 6.8 lbs. PN 151735
 10" CUST - 4" ID DISH PN 132875
 8" 1345-3.00 DISH
 4.5 lbs. PN 151732
 8" 1345-3.75 DISH
 4.5 lbs. PN 151731
 2 3/8" API, 3 1/2" OD BOX
 6.1 lbs. PN 132191
 2-3/8" API, 4" OD BOX
 PN 151193
 WIND-UP 0.8 lbs. PN 157704



DRIVE LUGS
 Cast Alloy
 - Used with Screw Bit Pilots
 141-L 375-TCH-171
 1.3 lbs. PN 151970
 141-R SB-35 or SB-45
 1 lbs. PN 151956
 141-MT SB-35 or SB-45
 1.3 lbs. PN 151960
 MF-MM SB-35 or SB-45
 2.2 lbs. PN 151020



DRIVE PINS
 - For use with Your PENGO Parts
 DP-2 2" 3/8" x 1-1/2"
 .1 lbs. PN 157779
 DP-3 3" 1/2" x 2"
 .1 lbs. PN 157780
 DP-4 4" 5/8" x 2-3/4"
 .3 lbs. PN 157781
 DP-5 5" 5/8" x 2-3/4"
 .5 lbs. PN 157782



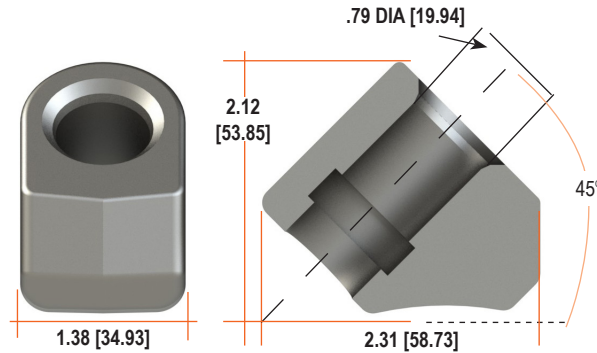
TOOLS
 - For use with Your PENGO Parts
 SOFT HAMMER 3.5 lbs.
 PN 137737
 DRIFT PUNCH .8 lbs.
 PN 137750
 HORSESHOE NAIL 1 lbs.
 PN 137620
 RUBR-LOK .1 lbs.
 PN 137601
 P-10 Pin .1 lbs.
 PN 137610


BLOCKS | CONICAL TEETH
P10

 Conical Tooth Block
 - Fits .76" Shank Size
 Conical Teeth

PN 990043

LBS	BUCKET QTY.
.8	35


S10HD

 Conical Tooth Block
 - Fits .76" Shank Size
 Conical Teeth

PN 850006

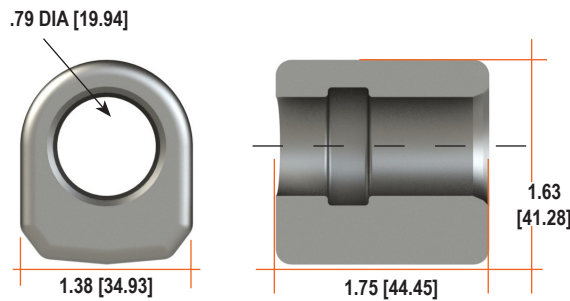
LBS	BUCKET QTY.
.60	35

P10F

 Conical Tooth Block
 - Fits .76" Shank Size
 Conical Teeth

PN 990084

LBS	BUCKET QTY.
.55	40


S20HD

 Conical Tooth Block
 - Fits .74" Shank Size
 Conical Teeth

PN 850007

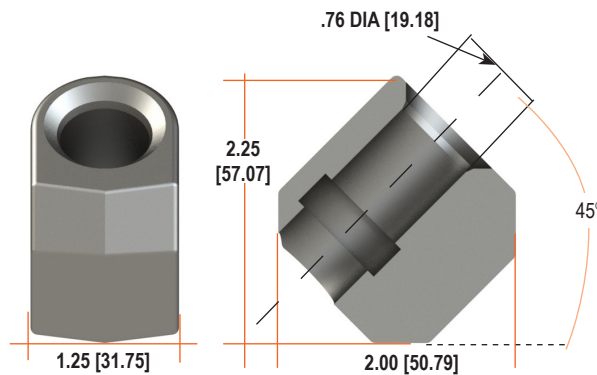
LBS	BUCKET QTY.
1.1	35

P20

 Conical Tooth Block
 - Fits .74" Shank Size
 Conical Teeth

PN 990002

LBS	BUCKET QTY.
.7	40


S30H

 Conical Tooth Block
 - Fits 1" Shank Size
 Conical Teeth

PN 850013

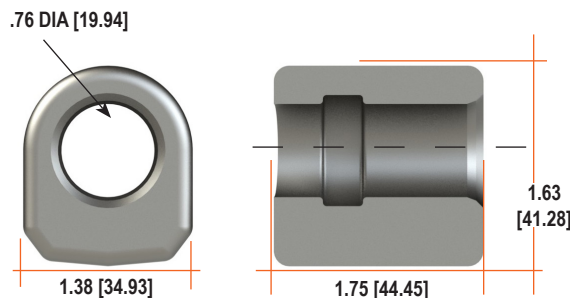
LBS	BUCKET QTY.
.9	40

P20F

 Conical Tooth Block
 - Fits .74" Shank Size
 Conical Teeth

PN 990085

LBS	BUCKET QTY.
.9	40


B48

 Conical Tooth Block
 - Fits X
 Conical Teeth

PN 800072

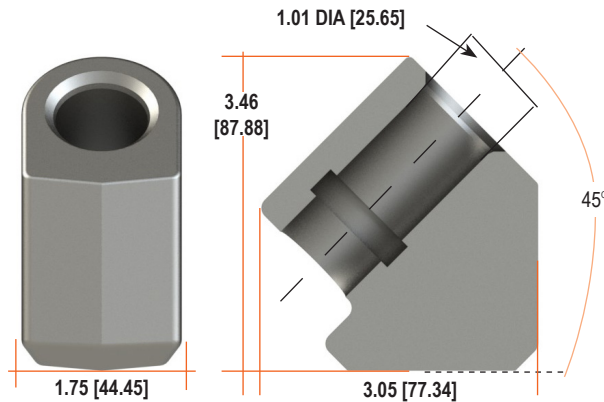
LBS	BUCKET QTY.
1.1	6


BLOCKS | CONICAL TEETH
P30

 Conical Tooth Block
 - Fits 1" Shank Size
 Conical Teeth

PN 990001

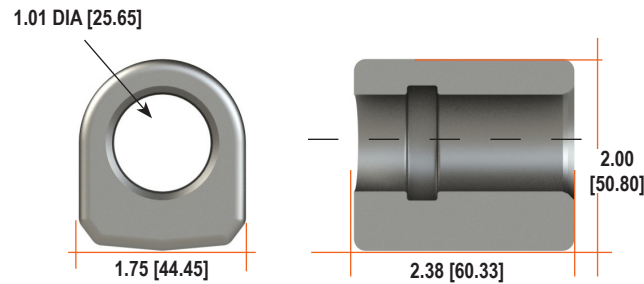
LBS	BUCKET QTY.
2.6	12


P30F

 Conical Tooth Block
 - Fits 1" Shank Size
 Conical Teeth

PN 990082

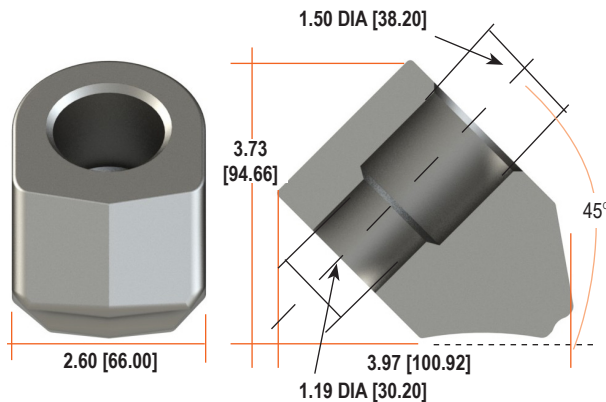
LBS	BUCKET QTY.
.7	40


P4

 Conical Tooth Block
 - Fits Step Shank
 Conical Teeth

PN 990003

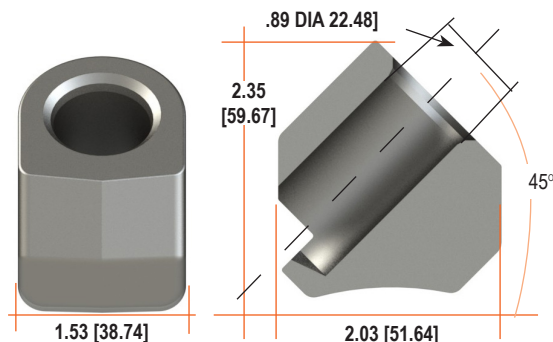
LBS	BUCKET QTY.
3.65	8


P87B

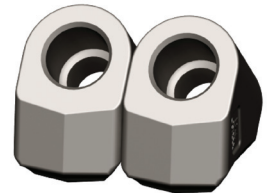
 Conical Tooth Block
 - Fits
 Conical Teeth

PN 990029

LBS	BUCKET QTY.
2.6	25


P30F Holder


The P30F Holder is designed specifically for the PENGO Core Barrels. The straight design offers flexibility in angle placement.

P4 Holder


Eliminates Gap

The heavy-duty P4 Holder design eliminates the need to fill large gaps when welding holders in a row. No more excessive welding saves time and keeps heat treat properties intact.


BLOCKS | DIRT

T35 Angled

 - Fits 35
 Series Teeth

LBS 1
PN 171221

T36 Straight

 - Fits 35
 Series Teeth

LBS .5
PN 171231

1ASR

 - Fits 2070
 Series Teeth

LBS 2.4
PN 156980

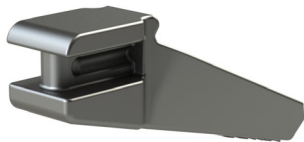
FA-70

 - Fits 2070
 Series Teeth

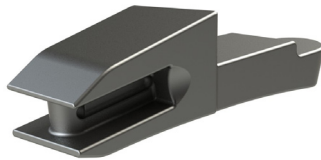
LBS 2
PN 158110

FA-70

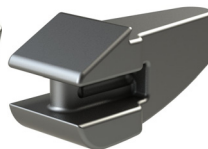
 - Fits 2070
 Series Teeth

LBS 2
PN 158110

B-255

 - Fits 16R55
 Series Teeth

LBS 2.5
PN 155000

C-355

 - Fits 16R55
 Series Teeth

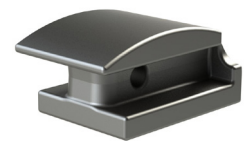
LBS 3
PN 155010

E-555

 - Fits 16R55
 Series Teeth

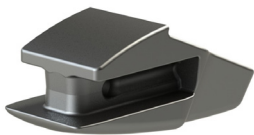
LBS 2.5
PN 154990

1XS

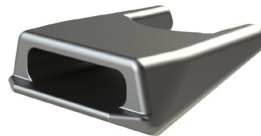
 - Fits 1650
 Series Teeth

LBS 1.6
PN 157010

BT-100

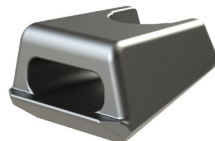
 - Fits 1650
 Series Teeth

LBS 1.6
PN 157300

WT-50

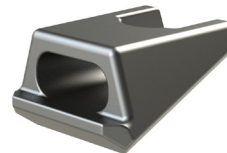
 - Fits 1650
 Series Teeth

LBS 2.5
PN 158115

WO-1

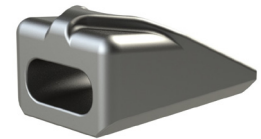
 - Fits 60 and 70
 Taper Fit Teeth

LBS 1.5
PN 171565

WO-12

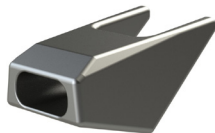
 - Fits 80, 90,
 & 95 Teeth

LBS 2.8
PN 171570

WO-5

 - Fits 16R55
 Series Teeth

LBS 2.5
PN 171575

WO-5HDS

 - Fits 16R55
 Series Teeth

LBS 3
PN 171574

WO-8

 - Fits 16R55
 Series Teeth

LBS 2.5
PN 171577

H-10

 - Fits CB-10 Drag
 Style Teeth

LBS .28
PN 157025

PFC-5H

 - Fits PFC-5
 Taper Fit Teeth

LBS 1.5
PN 157027

CJ-2

 - Fits CJ2 Drag
 Style Teeth

LBS 1.5
PN 134098

