

PILOT BITS | UTILITY



TRIFLOW® 600

Dirt Pilot Bit

- Patented Pilot Bit
- Three-fluted design for longer wear
- For use with MD Dirt and Quick Change Augers

Use 141-L Pilot Bit Adapter

LBS 8.5

PN 137357



TRIFLOW® 600

Dirt Pilot Bit with 1 3/4" Stem

- Patented Pilot Bit
- Three-fluted design for longer wear
- MD Dirt and Quick Change Augers

LBS 16

PN 137331

Use 1.75 SQ Pilot Bit Adapter

PN 151593 4.23 lbs.



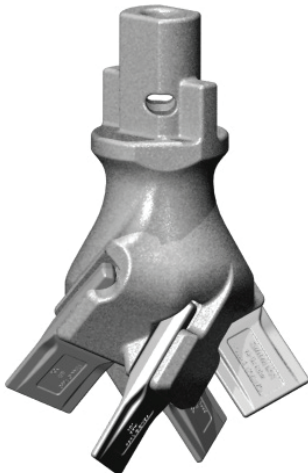
P-6000

Dirt Pilot Bit

- For use with MD Step Rock and Quick Change Augers in Solid, Non-Fracturable Rock

LBS 8

PN 151275



P-1650

Dirt Pilot Bit Assembly

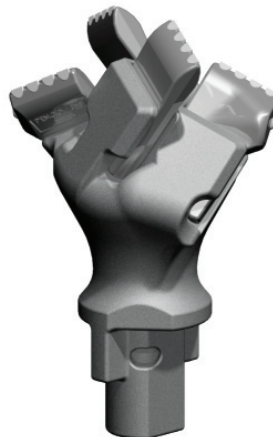
- For use with MD Dirt and Quick Change Augers

Includes:

- 2 - 1851 Fas-N-Lok® Teeth
- 2 - 1652 Dirt Gage Fas-N-Lok® Teeth
- 1 ea. - G5 1/2-14 Hex Bolt and Nut

LBS 20

PN 131726



P-1656

Pilot Bit Assembly

- For use with MD Augers in High Abrasion, Frozen Soil with Low Impact

Includes:

- 2 - 1658 Fas-N-Lok® Teeth
- 2 - 1656 Dirt Gage Fas-N-Lok® Teeth
- 1 ea. - G5 1/2-14 Hex Bolt and Nut

LBS 24

PN 131727



RCP-6.5

Pilot Bit Assembly

- For use with MD Augers in Fracturable Rock

Includes:

- 5 - SR-86 Bullet Teeth
- 1 - PC-387 Bullet Tooth
- 1 - CP-18 Center Point
- 1 ea. - G5 1/2-13 Hex Bolt and Nut

Use Center Point 16 (132524) or 18 (151272)

LBS 18

PN 132116

PILOT BITS | UTILITY



5.5-TCH-171L Pilot

Tungsten Carbide Head
Pilot Bit Assembly
- For use with MD Step Rock Augers
- Solid, Non-fracturable rock

Includes:

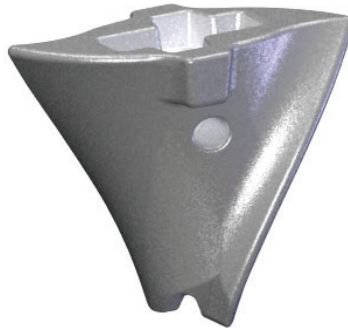
1 ea. - G5 1/2-16 Hex Bolt and Nut

LBS 6.1

PN 199223

Additional TCH Pilots:

6.5-TCH-171L (bit only) 8.3 lbs. PN 151520
8.5-TCH-171L (bit only) 9.9 lbs. PN 151550
9.5-TCH-171L 11 lbs. PN 133270



FH-205

Screw Bit Pilot Assembly
- For use with MD Dirt and Quick Change Augers
- Abrasive, Frozen Soil with Low Impact

Includes:

1 ea. - G5 3/8-16 Hex Bolt and Nut

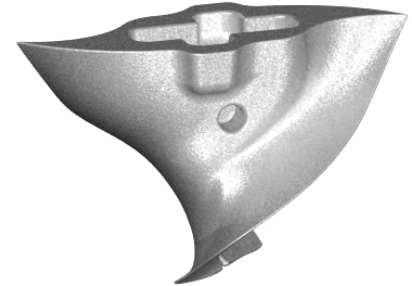
LBS 2.68

PN 157382

Additional FH-205 Pilots:

FH-205C 2.1 lbs. PN 132260
FH-205CXC 2.1 lbs. PN 132825
FH-205HF 2.1 lbs. PN 137275
FH-205HFTC 3.7 lbs. PN 133264
FH-205HFF 3 lbs. PN 132201

Use PA-183-L Pilot Bit Adapter
PN 151110 7.93 lbs.



SB-50

Screw Bit Pilot Assembly
- For use with MD Dirt Augers
- Abrasive, Frozen Soil with Low Impact

Includes:

1 ea. - G5 1/2-16 Hex Bolt and Nut

Use PA-183-L Pilot Bit Adapter

LBS 3.4

PN 131728

Additional Screw Bit Pilots:

SB-50C 3.4 lbs. PN 131751
SB-50HF 3.6 lbs. PN 132937
SB-50HFTC 3.1 lbs. PN 132624
SB-60 4.4 lbs. PN 132029
SB-60C 4.6 lbs. PN 132803
SB-60CXC 4.6 lbs. PN 133252
SB-60HF 4.6 lbs. PN 133251
SB-60HFTC 5.5 lbs. PN 133254
SB-70 4.5 lbs. PN 132185
SB-70C 4.8 lbs. PN 132368
SB-70HFTC 4.6 lbs. PN 133256
SB-80 5.5 lbs. PN 132198
SB-80C 5.4 lbs. PN 132638
SB-80HF 5.4 lbs. PN 133257
SB-90 5.8 lbs. PN 132552
SB-90CXC 5.8 lbs. PN 133261
SB-90HF 5.5 lbs. PN 132898
SB-90HFTC 5.8 lbs. PN 133271
SB-100 6.3 lbs. PN 132363
SB-100C 6.2 lbs. PN 132903
SB-100HFTC (bit only) 6.3 lbs. PN 151302

SIZE GUIDE:

50 = 5", 60 = 6", 70 = 7", 80 = 8", 90 = 9", and 10 = 10"

RR-1.75Q ROCK RIPPER®

Rock Pilot Bit Assembly
- Patented Rock Pilot for Rock Ripper Augers
- Features NEW Strata SR76SW Teeth
- Use in Hard Rock Applications

Includes:

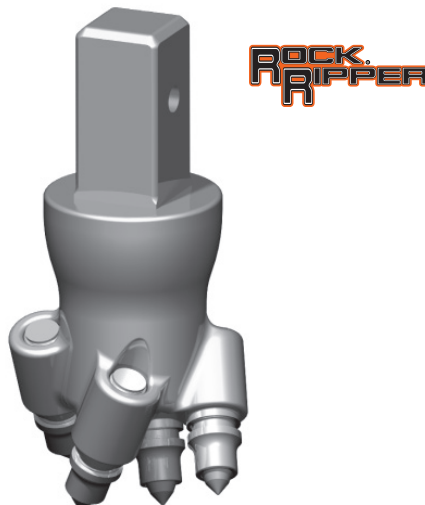
4 - SRL08 Bullet Teeth
OPTION: 4 - SR-76SW Bullet Teeth
1 ea. - G5 1/2-13 Hex Bolt and Nut

LBS 15

PN 137208

Additional Rock Ripper Pilots:

RR-API/C20 17 lbs. PN 157406



PILOT BITS | CONSTRUCTION



TRIFLOW

TRIFLOW® 350

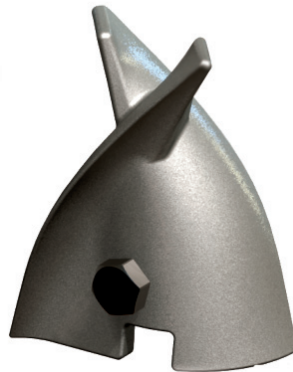
Dirt Pilot Bit

- Patented Pilot Bit
- Three-fluted design for longer wear
- For use with Pengo AGGRESSOR, TriMax and Ag Max Augers

Does not include Hex Bolt/Nut

LBS 5

PN 135088



SB-25

Screw Bit Pilot Bit Assembly

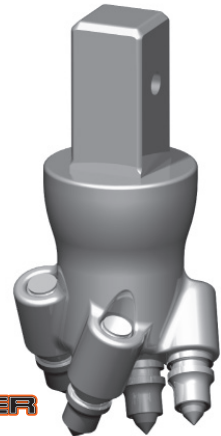
- Use with CS Augers
- Abrasive, Frozen Soil with Low Impact
- Use PA-183-L Pilot Bit Adapter

Includes:

1 ea. G5 5/16 Hex Bolt and Nut

LBS .6

PN 131740



ROCK RIPPER

RRP-1.75 SQ

Rock Ripper® Pilot Bit Assembly

- Patented Rock Pilot for Rock Ripper Augers
- Features NEW Strata SR76 Teeth
- Use in Hard Rock Applications

Includes:

4 - SRL08 Bullet Teeth

1 ea. - G5 1/2-13 Hex Bolt and Nut

LBS 15

PN 137208

Use 1.75 SQ Pilot Bit Adapter

PN 137203 4.23 lbs.



375-TCH-171

Screw Bit Pilot

- Use with Step Rock Auger
- Abrasive, Frozen Soil with Low Impact

LBS 5.1

PN 132173



SB-35 175

Screw Bit Pilot

- Use with AG AGGRESSOR
- Abrasive, Frozen Soil with Low Impact

LBS 3.9

PN 151318

Screw Bit Pilots

SB-25C	.6 lbs.	PN 132135
SB-25CXC	.9 lbs.	PN 132758
SB-25HF	1.5 lbs.	PN 132266
SB-25HFTC	1.4 lbs.	PN 132590
SB-30	1.4 lbs.	PN 131766
SB-30CXC	1.5 lbs.	PN 131765
SB-30HF	1.6 lbs.	PN 132359
SB-30HFTC	1.6 lbs.	PN 133250
SB-35	1.2 lbs.	PN 133402
SB-35C	1.2 lbs.	PN 133403
SB-35HF	2.1 lbs.	PN 133405
SB-35HFTC	2.8 lbs.	PN 133406
SB35SQ	2.8 lbs.	PN 136809
SB35SQ HF	4 lbs.	PN 136816
SB-45	3.0 lbs.	PN 133407
SB-45C	3.1 lbs.	PN 133408
SB-45HF	3.2 lbs.	PN 133410
SB-45HFTC	3.2 lbs.	PN 133411

HF = Hard-faced

Hardfaced dirt teeth and pilot are for use in abrasive soil.

C = Carbide Tipped

Carbide tipped dirt pilots are for use in highly abrasive soil and frozen ground.

CXC = Carbide

Carbide dirt teeth and pilot are for use in highly abrasive soil and frozen ground.

HFTC = Hard-faced Carbide

Hardfaced Tungsten Carbide dirt teeth and pilot are for use inabrasive and high impact soil.

PILOT BITS | FOUNDATION



TRIFLOW

TRIFLOW® 1000

Dirt Pilot Bit Assembly
 - Patented Pilot Bit
 - Three-fluted design for longer wear
 - 2 1/2" Square Stem

Includes:

1 ea. - G5 3/4-10 Hex Bolt and Nut

LBS 43

PN 137348



B47-10

Rock Pilot Bit Assembly
 - 4" Square Stem
 - Features the New STRATA SR122 Conical Teeth

Includes:

4 - SR-122 Bullet Teeth

1 - G8 1-8 Hex Bolt

1 - G5 1-8 Hex Nut

LBS 72

PN 135965

Additional B47 Pilots:

B47-HF 2.5 Stem

78 lbs. PN 159216



C31HD-8.5

Rock Pilot Bit Assembly
 - 2 1/2" Square Stem

Includes:

4 - STRATA SR100 Conical Teeth

1 ea. - G5 3/4-10 pin and washer

For use with 1" Single Row, Double Row, Combo Drilling Bucket and Pressure Augers in Rock

LBS 30

PN 135913

Additional C31HD Pilots:

C31HD 8.5 HF (pin/washer)

33 lbs. PN 135939

C31HD 8.5 (nut/bolt)

35 lbs. PN 135912



SD-60-175

Pilot Bit Assembly
 - 2-Fluted Pilot

LBS 15

PN 135983

Use 1.75 SQ Pilot Bit Adapter

PN 151593 4.23 lbs.



C4-1HF

Rock Pilot Bit Assembly
 - 2 1/2" Square Stem

Includes:

4 - STRATA SR104 Conical Teeth

1 ea. - G5 3/4-10 Hex Bolt and Nut

LBS 30

PN 135971



S-250

2 1/2" Square Pilot Bit Adapter

- Use with TF-1000 Pilot

- 2.5" X 6" OD

LBS 18

PN 151598

S-400

43 lbs.

PN 135904

4" Square Pilot Bit Adapter

- Use with B47-10 Pilot

- 4" X 8" OD

HF = Hard-faced

Hardfaced dirt teeth and pilot are for use in abrasive soil.

C = Carbide Tipped

Carbide tipped dirt pilots are for use in highly abrasive soil and frozen ground.

CXC = Carbide

Carbide dirt teeth and pilot are for use in highly abrasive soil and frozen ground.

HFTC = Hard-faced Carbide

Hardfaced Tungsten Carbide dirt teeth and pilot are for use inabrasive and high impact soil.

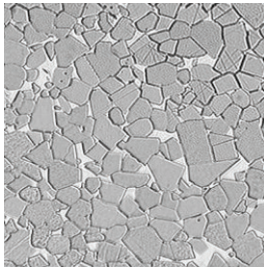
STRATA DRILLING GRADE CARBIDE

The STRATA Proprietary Drilling Grade Teeth are Made Especially for the Drilling Industry!

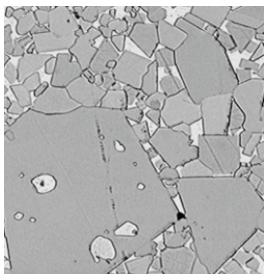
The Improved Grade of Carbide in All Strata Teeth Increases The Life Cycle of The Tooth

Less Down Time Means Increased Production and Productivity!

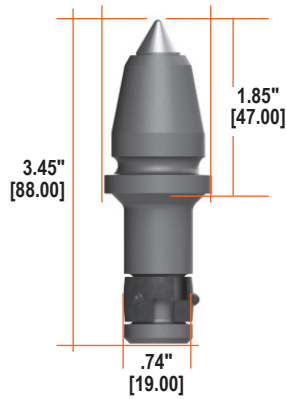
All STRATA conical tools are manufactured in the USA!



Strata Series Carbide Grain Structure



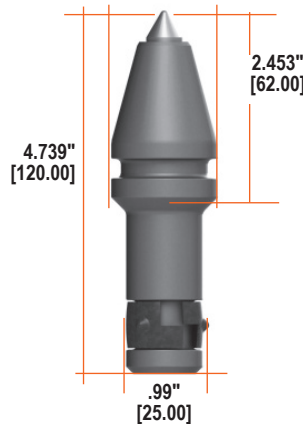
Conventional Carbide Grain Structure



SR-74
Conical Tooth
- .74" Shank Diameter
- New Carbide Angle for Increased Penetration
- Improved Carbide Grade
PN 850027

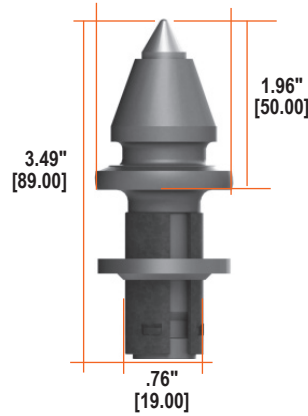
POCKET	LBS	BUCKET QTY.
P20	.65	65

1.375" [35.00]



SR-100
Conical Tooth
- 1" Shank Diameter
- Carbide Angle for Increased Penetration
- New Carbide Grade
PN 850023

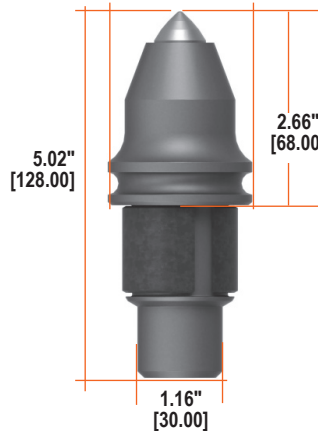
POCKET	LBS	BUCKET QTY.
P30 & P30F	1.1	35



SR-76SW
Conical Tooth
- .76" Shank Diameter
- Sleeve Washer
- New Carbide Angle
- Use with PENGO's Rock Ripper Augers
PN 850035

POCKET	LBS	BUCKET QTY.
P10	.56	50

1.97" [50.00]



SR-122
Conical Tooth
- Step Shank
- New Carbide Grade
PN 850034

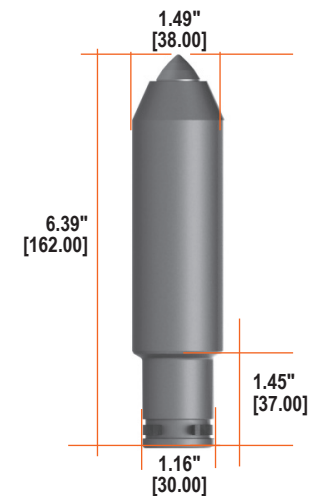
POCKET	LBS	BUCKET QTY.
P4	2.6	10

Hear What Our Customers Are Saying!

We were using a competitor brand and every 15 minutes they were coming out of the hole, teeth were shot, flat on one side, our total depth achieved was 2-3".

After 30 minutes of using the SR74 teeth we did not really see a tremendous slow down in production, however since it had been so long we took the core barrel out of the hole to check the teeth. We saw some flat spotting, but truly the teeth did not necessarily need to be changed, plus we had advanced a total of 12"!

BRUCE MURPHY, VICE PRESIDENT
Drilling Service
Bridgeton, Missouri
Using 54" Core Barrel on a Watson 3100 in limestone with ribbons of very hard chert rock.



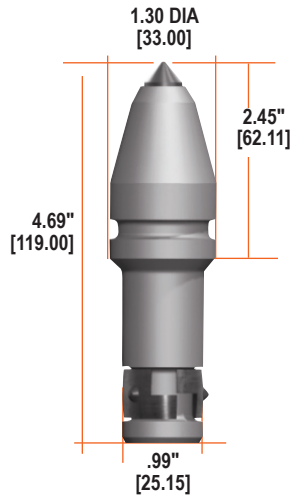
SR-104
Conical Tooth
- Step Shank
- New Hair Pin Clip
- New Carbide Grade
PN 850024

POCKET	LBS	BUCKET QTY.
P4	2.6	12

The three conical teeth to the right and on the following pages are the Standard Pengo Teeth. Note these are different than the STRATA teeth as they do not contain the drilling grade carbide tips.

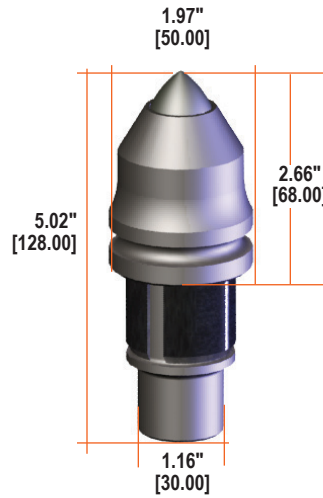
The standard teeth are used in solid fracturable rock but may not provide the same wear as the Strata Teeth.

PENGO Foundation augers are shipped with STRATA conical teeth.



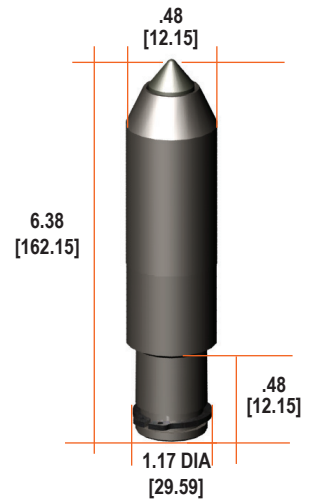
S31-HD
Conical Tooth
- 1" Shank Diameter
PN 850037

POCKET	LBS	BUCKET QTY.
P30 & P30F	1.1	35



S22
Conical Tooth
- Step Shank
PN 850039

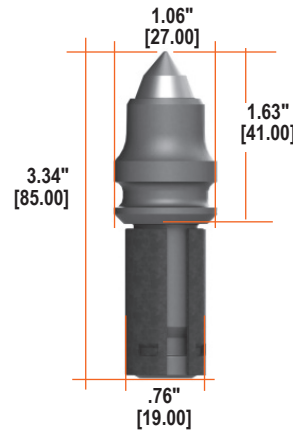
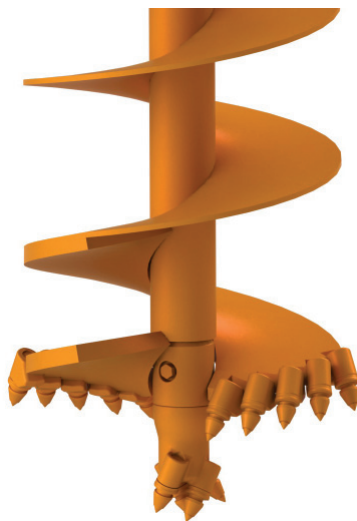
POCKET	LBS	BUCKET QTY.
P4	2.6	12



S4-1
Conical Tooth
- Step Shank
PN 850038

POCKET	LBS	BUCKET QTY.
P4	2.6	15

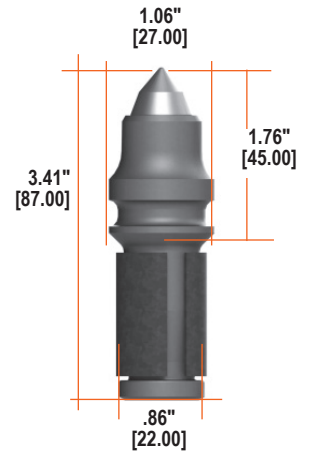
PENGO'S All New MD Rock Ripper Auger Features the STRATA SR-76SW tooth. For optimum performance select this tooth when reordering. Note the SRL08 will also work with Pengo Rocker Ripper Augers.



SRL08
Conical Tooth
- .76" Shank Diameter
- Improved Carbide Grade
- Use in PENGO's Rock Ripper Augers

PN 850032

POCKET	LBS	BUCKET QTY.
P10	.65	65

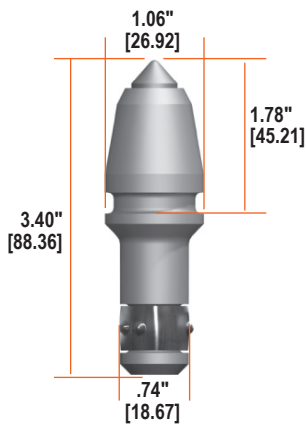


SL-02
Conical Tooth
- .86" Shank Diameter
- New Carbide Angle for Increased Penetration
- Improved Carbide Grade

PN 850031

POCKET	LBS	BUCKET QTY.
P-87	.56	65

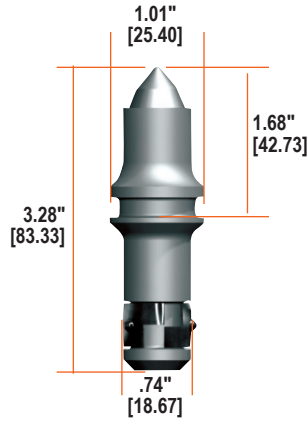
CONICAL TEETH



S21
 Conical Tooth
 - .74" Shank
 - Internal Retainer
 - Design Evenly Distributes Impact Loads Through Tool Shoulder
 - Ideal for Use in Hard, High Impact Conditions

PN 850025

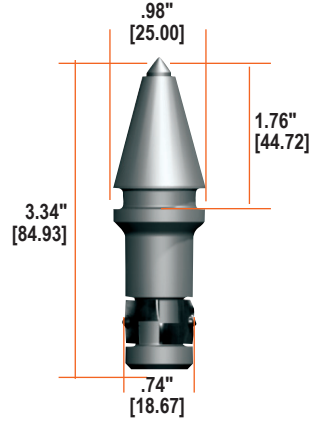
POCKET	LBS	BUCKET QTY.
P20	.3	65



S23
 Conical Tooth
 - .74" Shank
 - Internal Retainer
 - Design Evenly Distributes Impact Loads Through Tool Shoulder
 - Ideal for Use in Hard, High Impact Conditions

PN 850033

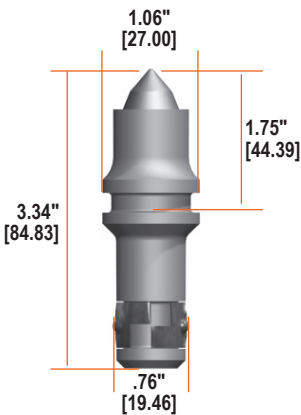
POCKET	LBS	BUCKET QTY.
P20	.3	65



S24
 Conical Tooth
 - .74" Shank
 - Internal Retainer
 - Design Evenly Distributes Impact Loads Through Tool Shoulder
 - Ideal for Use in Hard, High Impact Conditions

PN 850029

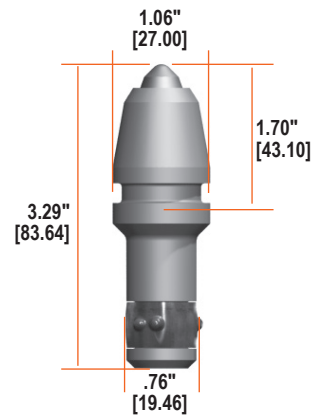
POCKET	LBS	BUCKET QTY.
P20	.4	65



SRL-09
 Conical Tooth
 - .76" Shank
 - Internal Retainer
 - Design Evenly Distributes Impact Loads Through Tool Shoulder
 - Hard, High Impact

PN 850017

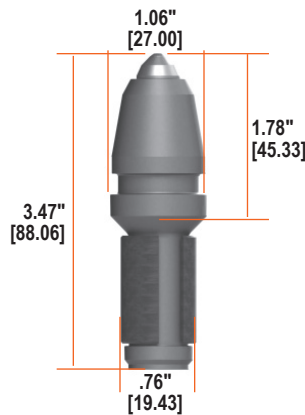
POCKET	LBS	BUCKET QTY.
P10	.5	65



SRL-10
 Conical Tooth
 - .76" Shank
 - Internal Retainer
 - Design Evenly Distributes Impact Loads Through Tool Shoulder
 - Hard, High Impact

PN 850022

POCKET	LBS	BUCKET QTY.
P10	.5	65

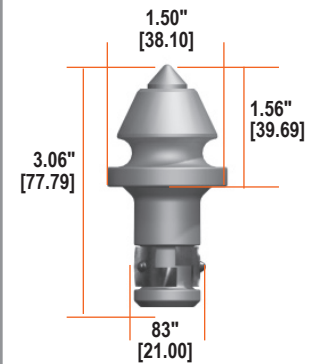


SRL-07
 Conical Tooth
 - .76" Shank
 - Internal Retainer
 - Hard, High Impact

PN 850009

POCKET	LBS	BUCKET QTY.
P10	.5	35

BoRH Teeth



P21RR
 Conical Tooth
 - .83" Shank Diameter
 - STRATA tooth
 - Replacement Tooth in PENGOS BoRH - Bolt On Rock Head
 - Internal Retainer
 - Hard Rock, Concrete

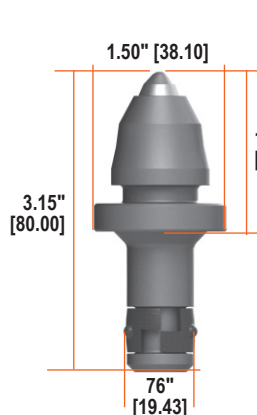
PN 850019

LBS	BUCKET QTY.
.59	50



The Pengo S21RR Tooth was designed exclusively for the Pengo BoRH® (Bolt-on Rock Head) which converts the Pengo Aggressor® auger into a rock auger in minutes. The stout S21-RR design works well in hard rock and concrete conditions and the enlarged tooth shoulder helps to protect the BoRH™ from wear.

CONICAL TEETH

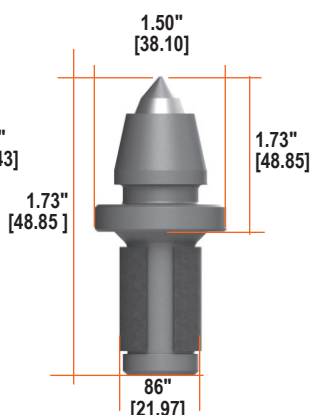


SRS16

Conical Tooth
 - .76" Shank Diameter
 - Internal Retainer
 - Hard, High Impact

PN 850020

POCKET	LBS	BUCKET QTY.
0	.5	50

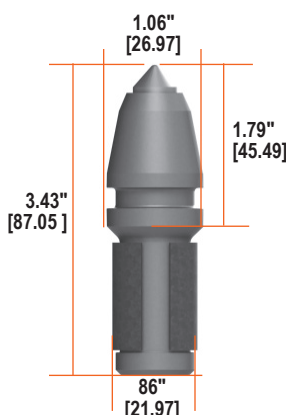


S-387BF

Conical Tooth
 - .86" Shank Diameter
 - Internal Retainer
 - Design Evenly Distributes Impact Loads Through Tool Shoulder
 - Hard, High Impact

PN 850030

POCKET	LBS	BUCKET QTY.
S87HDS	.3	65

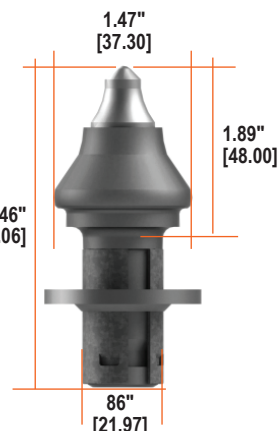


SL-04

Conical Tooth
 - .86" Shank Diameter
 - Internal Retainer
 - Design Evenly Distributes Impact Loads Through Tool Shoulder
 - Hard, High Impact

PN 850016

POCKET	LBS	BUCKET QTY.
S87HDS	.5	65

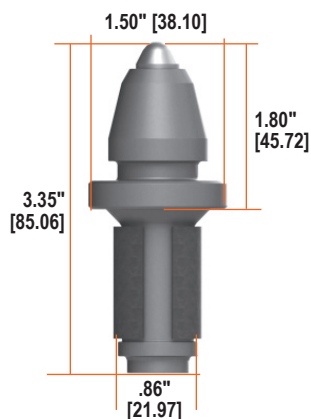


SM04

Conical Tooth
 - 86" Shank Diameter
 - Sleeve Washer
 - Internal Retainer
 - Hard, High Impact

PN 850014

LBS	BUCKET QTY.
.8	45

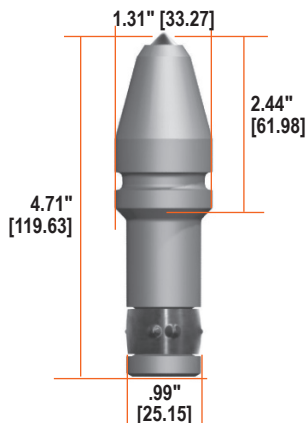


SM06

Conical Tooth
 - 86" Shank Diameter
 - Standard Body Design
 - Design Evenly Distributes Impact Loads Through Tool Shoulder
 - Hard, High Impact

PN 850018

LBS	BUCKET QTY.
.8	50

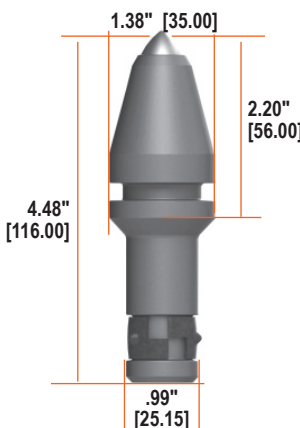


S31

Conical Tooth
 - 1" Shank Diameter
 - Smaller Tip for Increased Penetration
 - Improved Carbide Grade
 - Internal Retainer
 - Hard Rock, Concrete

PN 850026

LBS	BUCKET QTY.
1.3	35



SU40-HD

Conical Tooth
 - 1" Shank Diameter
 - Internal Retainer
 - Hard, High Impact

PN 850021

LBS	BUCKET QTY.
2.2	35

Conical Teeth

SRZ16
Bucket Qty. 65
 PN 850001

SRP18
Bucket Qty. 45
 PN 850000

SRP19
Bucket Qty. 50
 PN 850004

S3KBF
Bucket Qty. 50
 PN 850003

S3KBF-LN
Bucket Qty. 50
 PN 850002

S20HP
 Puller Bit
 - Easily Remove the Pengo's Conical Teeth
 PN 850005

DIRT TEETH | UTILITY



1650
Dirt Tooth
- FAS-N-LOK®
- Replacement Teeth for Pengo MD Boring Heads & Quick Change Augers
- Typical Dirt Applications
PN 140200

POCKET	LBS	BUCKET QTY.
1XS, BT-100, WT-50	.5	50



1652
Dirt Gage Tooth
- FAS-N-LOK®
- Replacement Teeth for Pengo MD Boring Heads & Quick Change Augers
- Typical Dirt Applications
PN 140020

POCKET	LBS	BUCKET QTY.
1XS, BT-100, WT-50	1.1	50



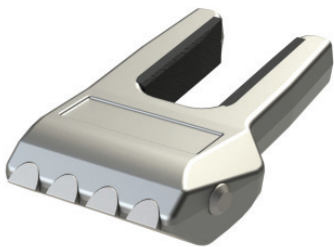
1652HF
Dirt Gage Tooth
- FAS-N-LOK®
- Replacement Teeth for Pengo MD Boring Heads & Quick Change Augers
- Typical Dirt Applications
PN 140086

POCKET	LBS	BUCKET QTY.
1XS, BT-100, WT-50	1	50



1656
Carbide Dirt Tooth
- FAS-N-LOK®
- Replacement Teeth for Pengo MD Boring Heads & Quick Change Augers
- High Abrasion, Frozen Soil, Low Impact
PN 140005

POCKET	LBS	BUCKET QTY.
1XS, BT-100, WT-50	.59	25



1658
Carbide Dirt Gage Tooth
- FAS-N-LOK®
- Replacement Teeth for Pengo MD Boring Heads & Quick Change Augers
- High Abrasion, Frozen Soil, Low Impact
PN 140006

POCKET	LBS	BUCKET QTY.
1XS, BT-100, WT-50	1	25



1851
Dirt Tooth
- FAS-N-LOK®
- Replacement Teeth for Pengo MD Boring Heads & Quick Change Augers
- Typical Dirt Applications
PN 140017

POCKET	LBS	BUCKET QTY.
1XS, BT-100, WT-50	.5	50



RB56
Ridge Breaker Tooth
- FAS-N-LOK®
- Replacement Teeth for Pengo MD Boring Heads & Quick Change Augers
- Typical Dirt Applications
PN 140022

POCKET	LBS	BUCKET QTY.
1XS, BT-100, WT-50	.5	25



RB58
Carbide Dirt Tooth
- FAS-N-LOK®
- Replacement Teeth for Pengo MD Boring Heads & Quick Change Augers
- Typical Dirt Applications
PN 140015

POCKET	LBS	BUCKET QTY.
1XS, BT-100, WT-50	.59	25

DIRT TEETH | CONSTRUCTION



40/50
Dual Angle Dirt Tooth
- Replacement Teeth for Pengo AGGRESSOR Augers
- Typical Dirt Applications
PN 134501

POCKET	LBS	BUCKET QTY.
NA	.5	100



40/50C
Dual Angle Carbide Dirt Tooth
- Replacement Teeth for Pengo AGGRESSOR Augers
- Abrasive and Frozen Soil, No Impact
PN 134519

POCKET	LBS	BUCKET QTY.
NA	.5	25



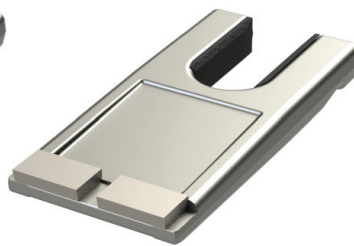
40/50HFF
Dual Angle Hardface Dirt Tooth
- Replacement Teeth for Pengo AGGRESSOR Augers
- Abrasive and Frozen Soil, Impact
PN 134802

POCKET	LBS	BUCKET QTY.
NA	.5	25



35
Dirt Tooth
- FAS-N-LOK®
- Replacement Teeth for CS and AG AGGRESSOR Augers
- Typical Dirt Applications
PN 133835

POCKET	LBS	BUCKET QTY.
T-35; T-36	.4	100



35C
Carbide Dirt Tooth
- FAS-N-LOK®
- Replacement Teeth for CS and AG AGGRESSOR Augers
- Compacted Rock, Abrasive, No Impact
PN 140007

POCKET	LBS	BUCKET QTY.
T-35; T-36	.4	50



35HF
Hardface Dirt Tooth
- FAS-N-LOK®
- Replacement Teeth for AG AGGRESSOR and CS Augers
- Abrasive, Impact
PN 140008

35HFF PN 140009

POCKET	LBS	BUCKET QTY.
T-35; T-36	.6	50

In 2008 Pengo developed the FAS-N-LOK Series of dirt teeth. Fas-N-Lok teeth incorporates vulcanized rubber on the inside surface of the tooth, saving you time and money!



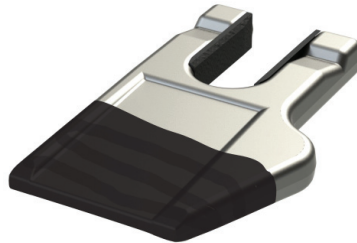
- TYPE** Dirt Tooth
 - DRILLING** dirt, ordinary digging
 - TYPE** Carbide Tooth
 - DRILLING** highly abrasive soil, frozen ground
 - TYPE** Gage Tooth
 - DRILLING** dirt, ordinary digging
 - TYPE** Carbide Gage
 - DRILLING** highly abrasive soil, frozen ground
 - TYPE** Carbide Rock
 - DRILLING** rock, compacted soil
 - TYPE** Hard Faced - one side
 - DRILLING** abrasive soil, impact
 - TYPE** Hard Faced - two sides (HFF)
 - DRILLING** abrasive soil, impact
 - TYPE** Ridge Breaker
 - DRILLING** high abrasion, frozen soil, low impact
- Due to varying manufacturers tolerances, Rub-R-Lok might be necessary to obtain the correct fit.*

DIRT TEETH | CONSTRUCTION



37
Dirt Gage Tooth
- FAS-N-LOK®
- Replacement Teeth for Pengo Quick Change, AG Max and TRIMAX Augers and Boring Heads
- Typical Dirt Applications
PN 140027

POCKET	LBS	BUCKET QTY.
T-35; T-36	.5	50



37HF
Dirt Hardface Gage Tooth
- FAS-N-LOK®
- Replacement Teeth for Pengo Quick Change, AG Max and TRIMAX Augers and Boring Heads
- Abrasive, Impact
PN 140010

POCKET	LBS	BUCKET QTY.
T-35; T-36	.6	50



1336L
Carbide Dirt Tooth
- FAS-N-LOK®
- Replacement Teeth for TRIMAX and CS Augers
- Abrasive Frozen Soil
PN 140016

POCKET	LBS	BUCKET QTY.
T-35; T-36	.6	100



RB36LC
Carbide Dirt Tooth
- FAS-N-LOK®
- Replacement Teeth for TRIMAX and CS Augers
- Abrasive Frozen Soil
PN 140021

POCKET	LBS	BUCKET QTY.
T-35; T-36	.6	100



5T30
Carbide Dirt Tooth
- FAS-N-LOK®
- Replacement Teeth for Pengo TRIMAX Augers and Boring Heads
- Loose Rock, Abrasive, No Impact
PN 140029

POCKET	LBS	BUCKET QTY.
T-35; T-36	.4	100



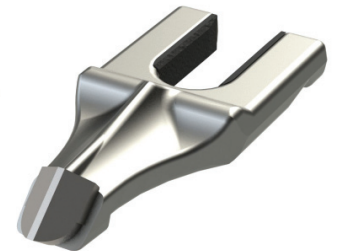
5T30C
Carbide Dirt Tooth
- FAS-N-LOK®
- Replacement Teeth for Pengo TRIMAX Augers and Boring Heads
- Compacted Rock, Abrasive Soil, No Impact
PN 140012

POCKET	LBS	BUCKET QTY.
T-35; T-36	.4	50



5T30HF
Carbide Dirt Tooth
- FAS-N-LOK®
- Replacement Teeth for Pengo TRIMAX Augers and Boring Heads
- Rock, High Impact
PN 140014

POCKET	LBS	BUCKET QTY.
T-35; T-36	.6	50



RB5T30
Carbide Gage Tooth
- FAS-N-LOK®
- Replacement Teeth for Pengo TRIMAX Augers and Boring Heads
- Rock, High Impact
PN 140013

POCKET	LBS	BUCKET QTY.
T-35; T-36	.6	100

DIRT TEETH | FOUNDATION



2070
Dirt Tooth
- FAS-N-LOK®
- Replacement Teeth for Cast Replacement Heads
- Typical Dirt Applications
PN 140002



2072
Dirt Gage Tooth
- FAS-N-LOK®
- Replacement Teeth for Cast Replacement Heads
- Typical Dirt Applications
PN 140000



2077
Carbide Dirt Tooth
- FAS-N-LOK®
- Replacement Teeth for Cast Replacement Heads
- High Abrasion
PN 140003



2078
Carbide Gage Tooth
- FAS-N-LOK®
- Replacement Teeth for Cast Replacement Heads
- High Abrasion
PN 140004

POCKET	LBS	BUCKET QTY.
WA & FA 70	2	20

POCKET	LBS	BUCKET QTY.
WA & FA 70	2.3	20

POCKET	LBS	BUCKET QTY.
WA & FA 70	2.3	20

POCKET	LBS	BUCKET QTY.
WA & FA 70	2.4	20



2079
Carbide Dirt Tooth
- FAS-N-LOK®
- Replacement Teeth for Cast Replacement Heads
- High Abrasion
PN 140001

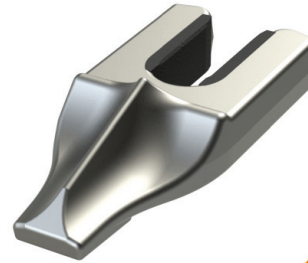
POCKET	LBS	BUCKET QTY.
WA & FA 70	3.3	20



16R55
Dirt Tooth
- FAS-N-LOK®
- Replacement Teeth for Foundation Dirt Augers
- Typical Dirt Applications
PN 140019

16R51 Bident Tooth
1.1 lb. **PN 140509**

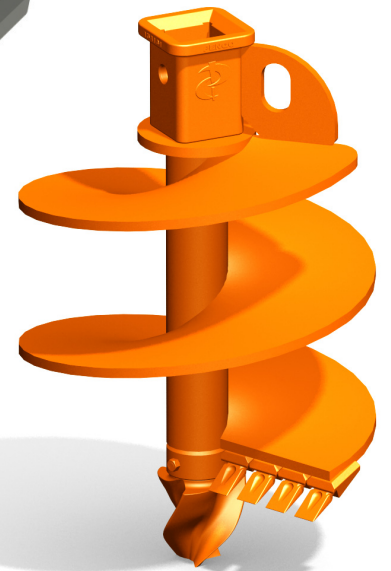
POCKET	LBS	BUCKET QTY.
B-256, C-355, E-555	1	50



7R55
Carbide Chisel Dirt Tooth
- FAS-N-LOK®
- Replacement Teeth for Foundation Dirt Augers
- High Abrasion
PN 140018

7R56 **PN 140395**

POCKET	LBS	BUCKET QTY.
B-256, C-355, E-555	1	50



TAPER FIT TEETH



60
Dirt Tooth
- Replacement Teeth for Foundation Augers
- Typical Dirt Applications
PN 170006



70
Dirt Tooth
- Replacement Teeth for Foundation Augers
- Typical Dirt Applications
PN 170020



80
Dirt Tooth
- Replacement Teeth for Foundation Augers
- Typical Dirt Applications
PN 170008



80C
Dirt Tooth
- Replacement Teeth for Foundation Augers
- Typical Dirt Applications
PN 170003

POCKET	LBS	BUCKET QTY.
WO-1	1	50

POCKET	LBS	BUCKET QTY.
WO-1	1	50

POCKET	LBS	BUCKET QTY.
WO-12	2	25

POCKET	LBS	BUCKET QTY.
WO-12	1.7	12



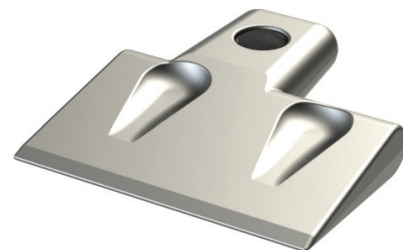
90P
Dirt Tooth
- Replacement Teeth for Foundation Augers
- Typical Dirt Applications
PN 134855



95P
Dirt Tooth
- Replacement Teeth for Foundation Augers
- Typical Dirt Applications
PN 170015



132
Dirt Tooth
- Replacement Teeth for Foundation Augers
- Typical Dirt Applications
PN 134406



134
Dirt Tooth
- Replacement Teeth for Foundation Augers
- Typical Dirt Applications
PN 134411

SZ90P SubZero Tooth
1.75 lbs. PN 134792

POCKET	LBS	BUCKET QTY.
WO-12	1.63	25

POCKET	LBS	BUCKET QTY.
WO-12	1.5	25

POCKET	LBS	BUCKET QTY.
WO-5; WO5HDS	2	15

POCKET	LBS	BUCKET QTY.
WO-5; WO5HDS	2	15

TAPER FIT TEETH


201
Dirt Tooth
- Replacement Teeth for
Foundation Augers
- Typical Dirt Applications
PN 170030



201C
Carbide Tooth
- Replacement Teeth for
Foundation Dirt Augers
- High Abrasion Digging
PN 170029



211
Dirt Tooth
- Replacement Teeth for
Foundation Dirt Augers
- High Abrasion
PN 170034



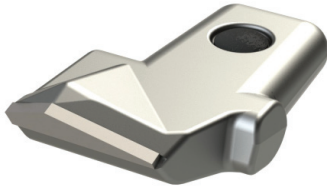
299
Carbide Tooth
- Replacement Teeth for
Foundation Dirt Augers
- High Abrasion
PN 134659

POCKET	LBS	BUCKET QTY.
WO-5; WO5HDS	2.1	20

POCKET	LBS	BUCKET QTY.
WO-5; WO5HDS	2.1	20

POCKET	LBS	BUCKET QTY.
WO-5; WO5HDS	2.9	20

POCKET	LBS	BUCKET QTY.
WO-5; WO5HDS	2.8	20



PFC2
Carbide Tooth
- Replacement Teeth for
Foundation Dirt Augers
- High Abrasion
PN 140112



PFC5
Carbide Tooth
- Replacement Teeth for
Foundation Dirt Augers
- High Abrasion
PN 140115



SZ210
Sub Zero Tooth
- Replacement Teeth for
Foundation Dirt Augers
- High Abrasion
PN 170032



SZ211
Sub Zero Tooth
- Replacement Teeth for
Foundation Dirt Augers
- High Abrasion
PN 170039

POCKET	LBS	BUCKET QTY.
WO-5; WO5HDS	2.5	20

POCKET	LBS	BUCKET QTY.
PFC-5H	1	50

POCKET	LBS	BUCKET QTY.
WO-8; WO-5; WO5HDS	2.5	15

POCKET	LBS	BUCKET QTY.
WO-8; WO-5; WO5HDS	3.5	15

DRAG STYLE TEETH



CB10
Carbide Tooth
- Replacement Teeth for MD and GP Step Rock Augers
- Dirt, Sand, Clay
PN 140055



604C
Carbide Tooth
- Replacement Teeth for MD and GP Step Rock Augers
- Hard Rock
PN 140065



CU7
Carbide Tooth
- Replacement Teeth for MD and GP Step Rock Augers
- Dirt, Sand, Clay
PN 134084



CJ2
Carbide Tooth
- Replacement Teeth for MD and GP Step Rock Augers
- Dirt, Sand, Clay
PN 850028

U7L Sub Zero
.55 lbs. **PN 134083**

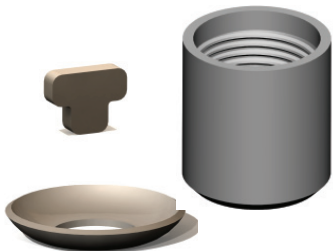
POCKET	LBS	BUCKET QTY.
H-10	.8	100

POCKET	LBS	BUCKET QTY.
1604	.55	50

POCKET	LBS	BUCKET QTY.
CJ-2	.55	50

POCKET	LBS	BUCKET QTY.
CJ-2	.69	50

ACCESSORIES



STORAGE
- For Your MD Auger
10" 1345-3.75 DISH
6.8 lbs. **PN 151735**
10" CUST - 4" ID DISH **PN 132875**
8" 1345-3.00 DISH
4.5 lbs. **PN 151732**
9" DISH
4.75 lbs. **PN 154008**
2 3/8" API, 3 1/2" OD BOX
6.1 lbs. **PN 132191**
2-3/8" API, 4" OD BOX
PN 151193
WIND-UP 0.8 lbs. **PN 157704**



DRIVE LUGS
Cast Alloy
- Used with Screw Bit Pilots
140CS SB-25, SB-30
2.3 lbs. **PN 151930**
141-L 375-TCH-171
1.3 lbs. **PN 151970**
141-R SB-35 or SB-45
1 lbs. **PN 151956**
141-MT SB-35 or SB-45
1.3 lbs. **PN 151960**
MF-MM SB-35 or SB-45
2.2 lbs. **PN 151020**



DRIVE PINS
- For use with Your PENGO Parts
DP-2 2" 3/8" x 1-1/2"
.1 lbs. **PN 157779**
DP-3 3" 1/2" x 2"
.1 lbs. **PN 157780**
DP-4 4" 5/8" x 2-3/4"
.3 lbs. **PN 157781**
DP-5 5" 5/8" x 2-3/4"
.5 lbs. **PN 157782**



TOOLS
- For use with Your PENGO Parts
SOFT HAMMER 3.5 lbs.
PN 137737
DRIFT PUNCH .8 lbs.
PN 137750
HORSESHOE NAIL 1 lbs.
PN 137620
RUBR-LOK .1 lbs.
PN 137601
P-10 Pin .1 lbs.
PN 137610

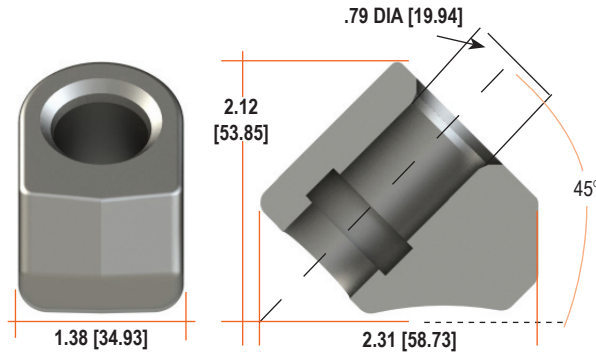
BLOCKS | CONICAL TEETH

P10

Conical Tooth Block
- Fits .76" Shank Size
Conical Teeth

PN 990043

LBS	BUCKET QTY.
.8	35



S10HD

Conical Tooth Block
- Fits .76" Shank Size
Conical Teeth

PN 850006

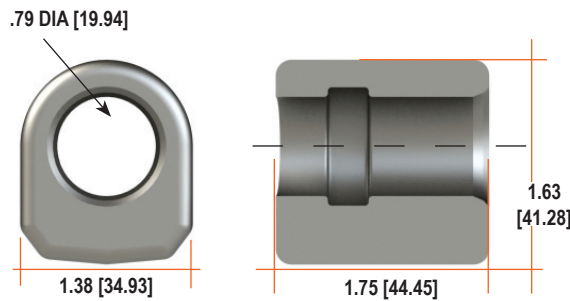
LBS	BUCKET QTY.
.60	35

P10F

Conical Tooth Block
- Fits .76" Shank Size
Conical Teeth

PN 990084

LBS	BUCKET QTY.
.55	40



S20HD

Conical Tooth Block
- Fits .74" Shank Size
Conical Teeth

PN 850007

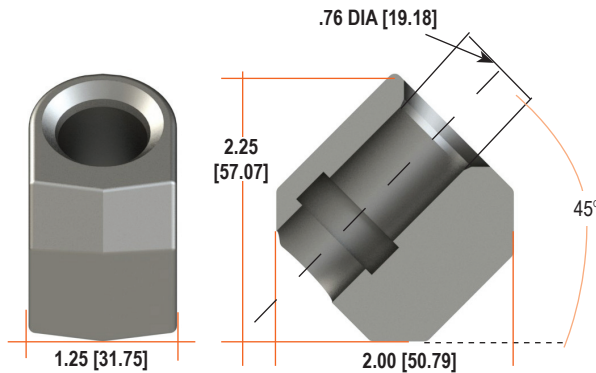
LBS	BUCKET QTY.
1.1	35

P20

Conical Tooth Block
- Fits .74" Shank Size
Conical Teeth

PN 990002

LBS	BUCKET QTY.
.7	40



S30H

Conical Tooth Block
- Fits 1" Shank Size
Conical Teeth

PN 850013

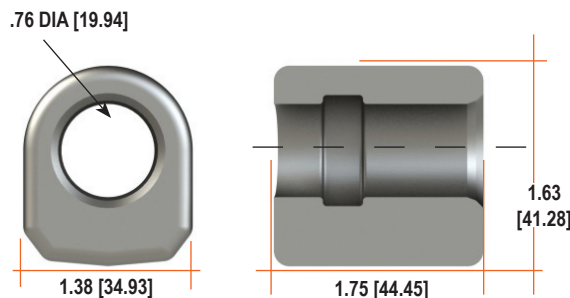
LBS	BUCKET QTY.
.9	40

P20F

Conical Tooth Block
- Fits .74" Shank Size
Conical Teeth

PN 990085

LBS	BUCKET QTY.
.9	40



B48

Conical Tooth Block
- Fits
Conical Teeth

PN 800072

LBS	BUCKET QTY.
1.1	6

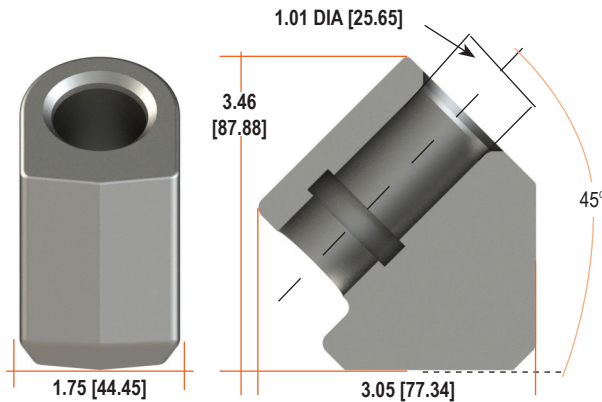
BLOCKS | CONICAL TEETH

P30

Conical Tooth Block
- Fits 1" Shank Size
Conical Teeth

PN 990001

LBS	BUCKET QTY.
2.6	12

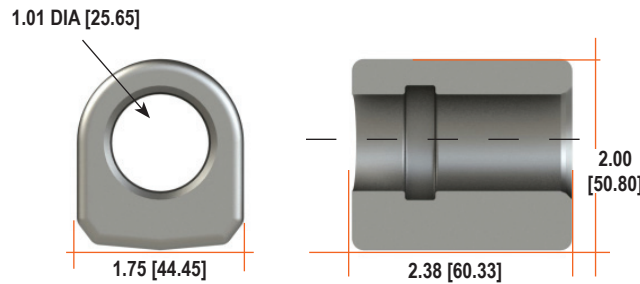


P30F

Conical Tooth Block
- Fits 1" Shank Size
Conical Teeth

PN 990082

LBS	BUCKET QTY.
.7	40

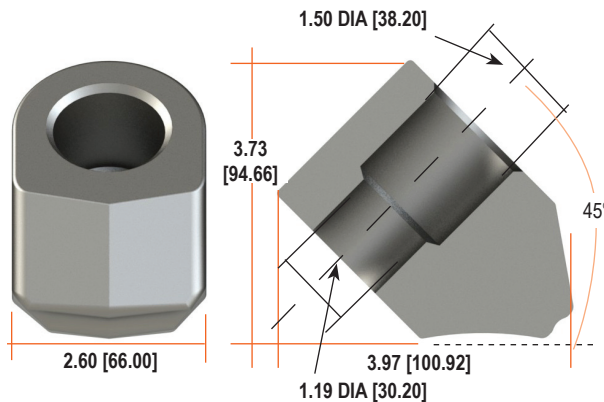


P4

Conical Tooth Block
- Fits Step Shank
Conical Teeth

PN 990003

LBS	BUCKET QTY.
3.65	8

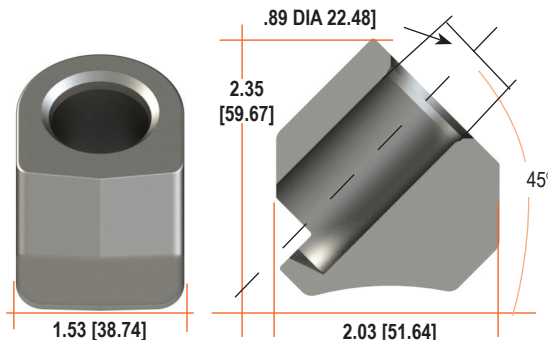


P87B

Conical Tooth Block
- Fits .86 Shank Size
Conical Teeth

PN 990029

LBS	BUCKET QTY.
2.6	25



P30F Holder



The P30F Holder is designed specifically for the PENGO Core Barrels. The straight design offers flexibility in angle placement.

P4 Holder



Eliminates Gap

The heavy-duty P4 Holder design eliminates the need to fill large gaps when welding holders in a row. No more excessive welding saves time and keeps heat treat properties intact.

BLOCKS | DIRT



T35 Angled

- Fits 35 Series Teeth

LBS 1
PN 171221



T36 Straight

- Fits 35 Series Teeth

LBS .5
PN 171231



1ASR

- Fits 2070 Series Teeth

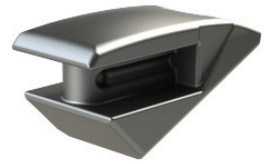
LBS 2.4
PN 156980



FA-70

- Fits 2070 Series Teeth

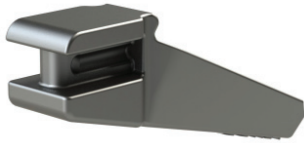
LBS 2
PN 158110



WA-70

- Fits 2070 Series Teeth

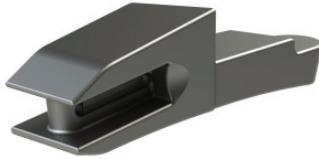
LBS 2
PN 158120



B-255

- Fits 16R55 Series Teeth

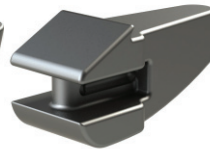
LBS 2.5
PN 155000



C-355

- Fits 16R55 Series Teeth

LBS 3
PN 155010



E-555

- Fits 16R55 Series Teeth

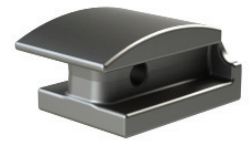
LBS 2.5
PN 154990



1XS

- Fits 1650 Series Teeth

LBS 1.6
PN 157010



BT-100

- Fits 1650 Series Teeth

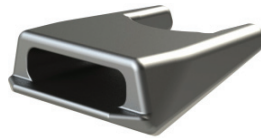
LBS 1.6
PN 157300



WT-50

- Fits 1650 Series Teeth

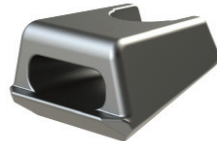
LBS 2.5
PN 158115



WO-1

- Fits 60 and 70 Taper Fit Teeth

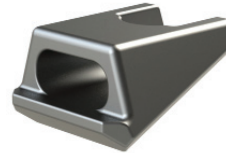
LBS 1.5
PN 171565



WO-12

- Fits 80, 90, & 95 Teeth

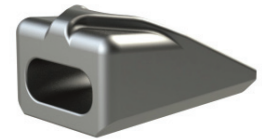
LBS 2.8
PN 171570



WO-5

- Fits 132, 134, 211, 201, 299 SZ210, SZ211

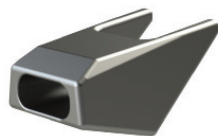
LBS 2.5
PN 171575



WO-5HDS

- Fits 132, 134, 211, 201, 299 SZ210, SZ211

LBS 3
PN 171574



WO-8

- Fits 132, 134, 211, 201, 299 SZ210, SZ211

LBS 2.5
PN 171577



H-10

- Fits CB-10 Drag Style Teeth

LBS .28
PN 157025



PFC-5H

- Fits PFC-5 Taper Fit Teeth

LBS 1.5
PN 157027



CJ-2

- Fits CJ2 Drag Style Teeth

LBS 1.5
PN 134098

WT-51

- Fits 15T50

LBS 1.59
PN 171530

1604

- Fits 1604 Teeth

LBS .6
PN 157000

HUBS & ADAPTERS



HEX

Cast Alloy Hubs

- Upgrade or repair any brand of auger

RH-1375		PN 133156
RH-812	.6 lbs.	PN 153955
RH-1625	3.1 lbs.	PN 153958
H-200U	10.5 lbs.	PN 154121
H-250	19.7 lbs.	PN 154141
H-262	17.6 lbs.	PN 154151
H-225	12.5 lbs.	PN 154160
H-300	21 lbs.	PN 154205

SQUARE

Cast Alloy Hubs

- Upgrade or repair any brand of auger

S-200	19 lbs.	PN 153990
S-225 FAB		PN 154002
S-250	21 lbs.	PN 154010
S-300	40 lbs.	PN 154020
S-3505	2.3 lbs.	PN 154030
S-400	65 lbs.	PN 154050
S-130MM	100 lbs.	PN 154161
S-150MM	175 lbs.	PN 154162
S-177MM	205 lbs.	PN 154163
S-200MM	390 lbs.	PN 154164

ROUND

Cast Alloy Hubs

- Upgrade or repair any brand of auger

1" General	1.4 lbs.	PN 153967
R-200	5.2 lbs.	PN 154080
R-256	9.5 lbs.	PN 154115



HEX ADAPTERS

Cast Adapters

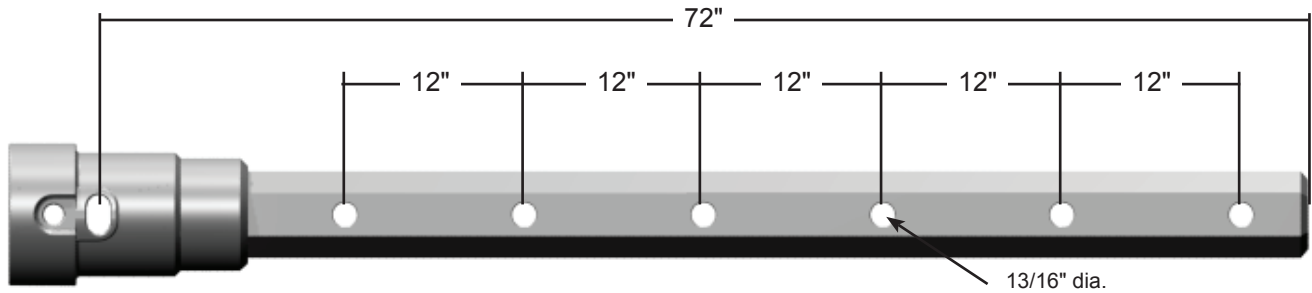
H-200F X H-250M	22 lbs.	PN 132609
H-200F X H-262M	23 lbs.	PN 133379
H-200F X R-200M	14 lbs.	PN 557156
H-250F X H-200M	30 lbs.	PN 132419
H-250F X H-262M	31 lbs.	PN 136466
H-250F X R-256M	31 lbs.	PN 151025
H-250F X S-200M	29 lbs.	PN 132946
H-250F X S-250M	33 lbs.	PN 133560
H-250F X H-262M		PN 136466
H-250F X S-200M		PN 132946
H-250F X S-250M		PN 133560
H-262F X H-200M	26 lbs.	PN 133938
H-262F X H-225M	26 lbs.	PN 133939
H-262F X H-250M	30 lbs.	PN 132702
H-262F X S-250M	30 lbs.	PN 132703
H-262F X S-300M		PN 133923
S-250F X H-225M	32 lbs.	PN 132842
S-300F X S-250M		PN 133137
S-350F X S-300M		PN 134797

SQUARE ADAPTERS

Cast Square Female Adapters

S-250 X S-300M	41 lbs.	PN 133914
130MM F X H300M		PN 661284
130MM F X S400M		PN 159033
150MM F X S400M		PN 154109
177MM F X 130MM M		PN 136615
200MM F X 150MM M		PN 136680

EXTENSIONS & COUPLERS | UTILITY



TELESCOPING

Hex Extension

- Extend from 12" to 144"
- Available in 2", 2 1/2" and 2 5/8"

Hex		
HE20-12	2" HEX X 12"	PN 557142
HE20-24	2" HEX X 24"	PN 557143
HE20-36	2" HEX X 36"	PN 557144
HE20-48	2" HEX X 48"	PN 557145
HE20-60	2" HEX X 60"	PN 557146
HE20-72	2" HEX X 72"	PN 557147
HE20-84	2" HEX X 84"	PN 557148
HE20-96	2" HEX X 96"	PN 557149
HE20-144	2" HEX X 144"	PN 557151
Hex		
HE25-12	2 1/2" HEX X 12"	PN 557126
HE25-24	2 1/2" HEX X 24"	PN 557162
HE25-36	2 1/2" HEX X 36"	PN 557128
HE25-48	2 1/2" HEX X 48"	PN 557129
HE25-60	2 1/2" HEX X 60"	PN 557130
HE25-72	2 1/2" HEX X 72"	PN 557163
HE25-90	2 1/2" HEX X 90"	PN 135598
HE26-12	2 5/8" HEX X 12"	PN 557119
HE26-24	2 5/8" HEX X 24"	PN 557120
HE26-36	2 5/8" HEX X 36"	PN 557121
HE26-48	2 5/8" HEX X 48"	PN 557122
HE26-60	2 5/8" HEX X 60"	PN 557160
HE26-72	2 5/8" HEX X 72"	PN 557161
HE225-72	1/4" HEX X 72"	PN 557140
H-250F X H-262M X 72"		PN 557172
H-262F X H-250M X 72"		PN 557170

3" TELESCOPING

Hex Extension - Heat Treated

H300 X 24" OAL	70 lbs.	PN 134870
H300 X 36" OAL	98 lbs.	PN 134871
H300 X 48" OAL	124 lbs.	PN 134872
H300 X 60" OAL	135 lbs.	PN 134844
H300 X 72" OAL	175 lbs.	PN 134847
H300 X 102" OAL		PN 134828

EXTENSION BARS

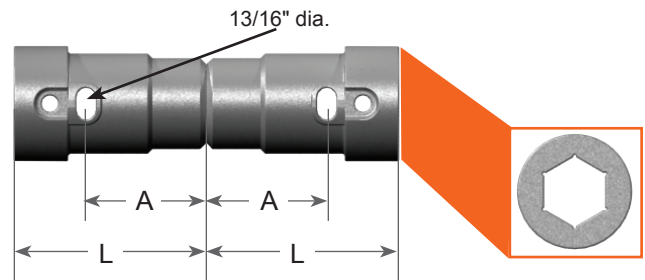
No Hubs with Holes

- Extend from 12" to 144"	
2" HEX X 72" STD	PN 137570
2 1/2" HEX X 72" STD	PN 137571
2 5/8" HEX X 72" STD	PN 137572

EXTENSION BARS

No Hubs no Holes

- Extend from 12" to 144"	
2" HEX X 72" HEX BAR	70.7 lbs. PN 151125
2 1/2" HEX X 72" HEX BAR	110.5 lbs. PN 151127
2 5/8" HEX X 72" HEX BAR	110.5 lbs. PN 151128



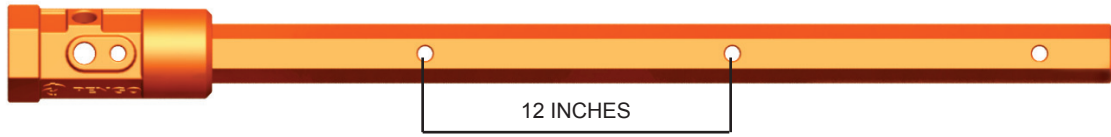
HEX COUPLERS

for Utility

2" x 2"	A = 3" L = 8"	13 lbs.	PN 553400
2 1/2" x 2 1/2"	A = 5" L = 8"	22 lbs.	PN 553402
2 5/8" x 2 5/8"	A = 5" L = 8"	21 lbs.	PN 553403

**CONTACT PENGO SALES
AT 800.599.0211
FOR COMPLETE LISTING
OF REPLACEMENT PARTS**

EXTENSIONS | CONSTRUCTION



CS TELESCOPING

For adapting PENGO Standard Auger to Any Hand Held Earth Drill

G-1.00R X 24 GENERAL	PN 557091
G-1.375HX24 GENERAL	PN 557092
LB-1.25SX24 LIT BEAVER	PN 557093
GH-.875SX24 GROUND HOG	PN 557094
PC-1.31R X12 PENGO COLLAR	PN 557095
PC-1.687RX24 PENGO COLLAR	PN 557096
PC-1.687RX36 PENGO COLLAR	PN 557097

NOTE: Augers used with CS Extensions must be ordered with PENGO's CS collar (part no. 158065).

ADJUSTABLE EXTENSION SHAFTS

SA24-256 24"	PN 137570
--------------	-----------

TELESCOPING

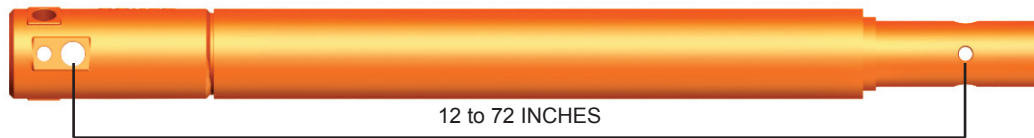
2" Hex with Standard Holes

HE20-12 STANDARD	22 lbs.	PN 557142
HE20-24 STANDARD	34 lbs.	PN 557143
HE20-36 STANDARD	46 lbs.	PN 557144
HE20-48 STANDARD	58 lbs.	PN 557145
HE20-60 STANDARD	70 lbs.	PN 557146
HE20-72 STANDARD	82 lbs.	PN 557147

EXTENSION BARS

2" Hex Bar with Standard Holes

2" HEX X 72"	PN 137570
2-5/8" HEX X 72"	PN 137572
H-250 X 72"	PN 137571
HE20-72	82 lbs. PN 557147



FIXED EXTENSIONS

2" Round Extension

RE20-12	PN 557176
RE20-24	PN 557178
RE20-36	PN 557174
RE20-48	PN 557179

FIXED EXTENSIONS

2 9/16" Round Extension

RE20-12	PN 557176
RE25-12 STD FIXED	20 lbs. PN 134203
RE25-24 STD FIXED	31 lbs. PN 134204
RE25-36 STD FIXED	40 lbs. PN 134205
RE25-48 STD FIXED	50 lbs. PN 134206
RE25-60 STD FIXED	61 lbs. PN 134207
RE25-72 STD FIXED	72 lbs. PN 134208