

Sheet Lifters

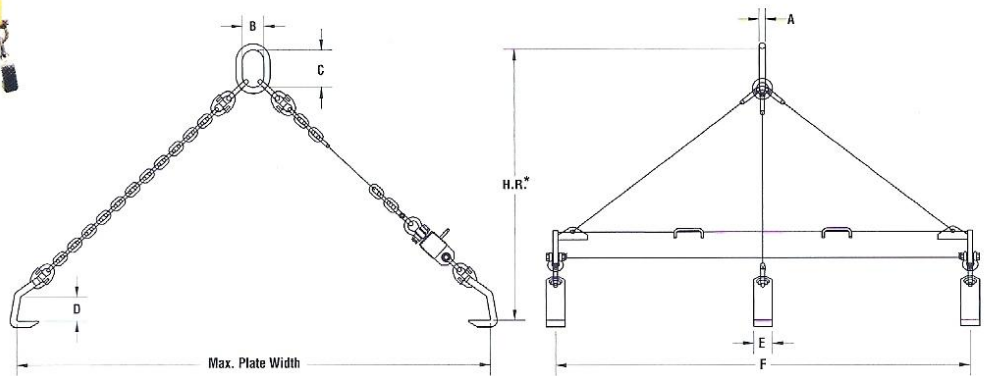
Model PL - Plate Lifters

The New Strong-Bac Plate Lifter provides a quick and easy solution for handling thick plates, one at a time. Simply position the Plate Lifter over your load, check to see the hooks are engaged and lift.



PRODUCT FEATURES:

- Rugged-chain rigging
- Heavy-duty plate hooks
- Design allows for easier crane alignment
- Steel spreader spaces hooks on one side for easy lifting
- Conforms to ASME standards



SPECIFICATIONS

Model Number	Rated Capacity (tons)	Dimensions In Inches							Max. Plate Width (in.)	Weight (lbs.)
		A	B	C	D	E	F	HR		
PL-5	5	1	3.5	6	3	2.3	84	58	96	185
PL-10	10	1.25	4.38	7.5	5	3.8	84	58	96	320

* Headroom at maximum plate width.

Operation

