

T126.2015

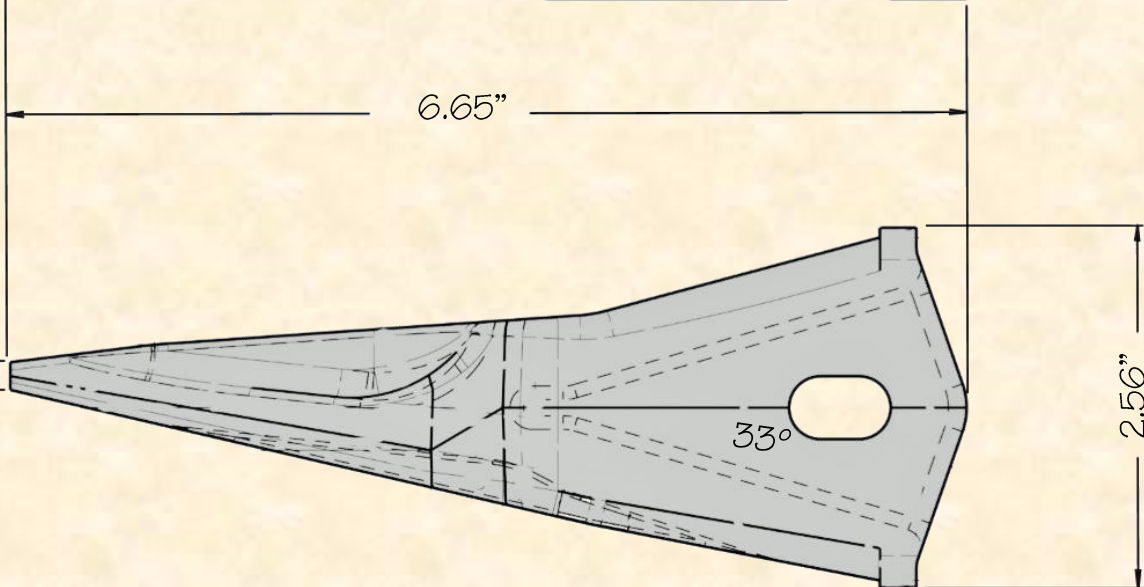
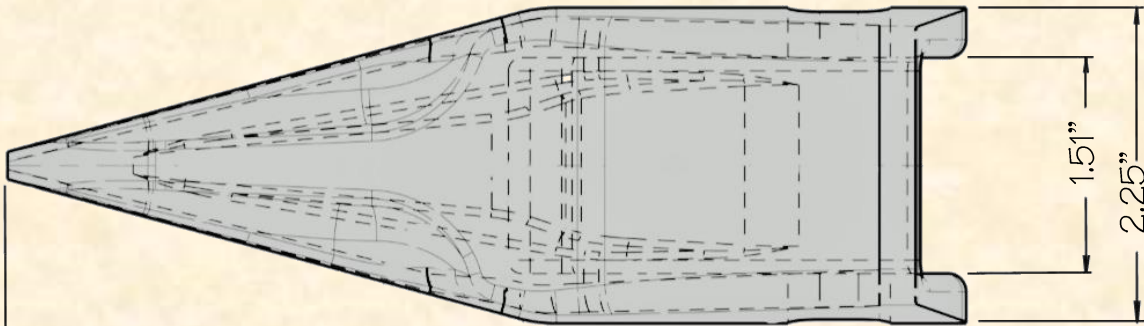
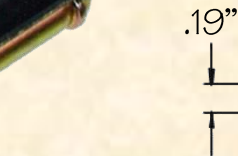
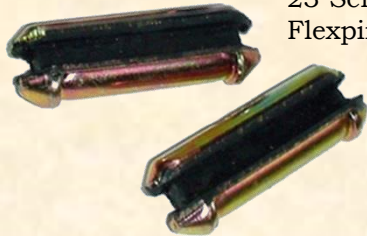
QUALITY
since 1931

© H&L Tooth Company 2015

444-514BHN
HARDNESS!



Uses the
23 Series
Flexpin®



ORIGINAL PRODUCT

H&L® TOOTH COMPANY

Factory Direct Made in Tulsa, Oklahoma

The "OEM" Uniforged Flexpin Style tooth design

230T9

Single Tiger Penetration

2.5#/1.13kgs.

H&L's 230T9 Teeth are produced from aircraft quality Chrom-Moly grade alloy steels to enhance tooth **DURABILITY** and long **LASTING SHARPNESS!**

H&L Tooth Company History since 1931:

This Uniforged 230T9 Single Tiger tooth was first designed and introduced in 2002. The forged Single Tiger was developed as a sharper penetration version of the Star 230ST tooth, if it doesn't say H&L its not the ORIGINAL!