

Hydraulic Quick Couplings

Non-Spill Couplings

FEC Series (Connect-Under-Pressure)

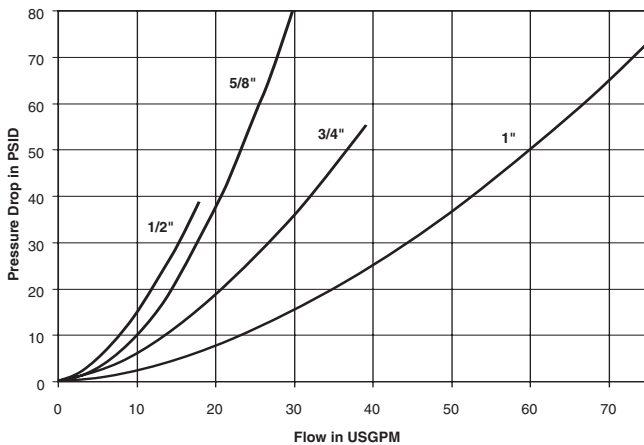


Description

FEC Series products operate slightly different from traditional non-spill couplings. With no pressure in the coupler and up to 3000 PSI of trapped pressure in the nipple, begin to couple the mating halves. Delay momentarily during connection to allow trapped pressure to equalize with the mating half before completing the connection.

Performance

FEC Series (1/2", 5/8", 3/4", 1")
Test Fluid: Oil - 200 SUS



Applications

Parker FEC Series nipple provide connect-under-pressure capability with up to 3000 PSI of trapped pressure in the nipple and are ideal for applications where residual pressure makes reconnect difficult. Utilized primarily in the construction equipment market, FEC Series products are commonly found on hydraulic attachments used in skid steer applications. **The FEC Series mates with the FE and FEM Series European interface ISO 16028 couplers.**

Features

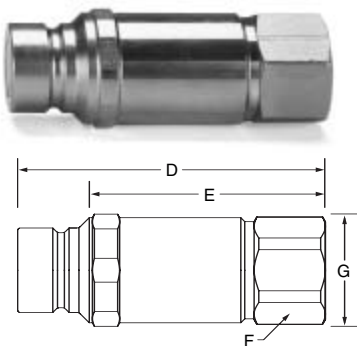
- Connect-Under-Pressure nipple.
- Hardened locking surface.
- Steel construction, zinc plated with yellow chromate finish for corrosion resistance.
- Anti blowout Nitrile/PTFE bonded nipple seal.
- Flush face valving.

Note: Protective dust plugs and caps play a crucial role in the life of a quick coupling and no purchase of a hydraulic quick coupling is complete without the selection of an appropriate dust plug and cap. See pages noted in Table of Contents for dust plugs and caps for the Parker full line of hydraulic couplings.

Specifications

Body Size (in.)	1/2	5/8	3/4	1
Rated Pressure (PSI)	3625	3625	3625	2900
Rated Connect-Under-Pressure Capability	3000	1700	1500	1000
Rated Flow (GPM)	12	20	26	50
Spillage (ML) (max. per disconnect)	0.020	0.03	0.150	0.20
Air Inclusion (ML) (max. per connect)	0.070	0.070	0.100	0.150

Nipples



Body Size (in.)	Part No. Steel	Mating Half	Thread Size	Dimensions (in.)				Largest Diameter	Wt. (LB.) P/Piece
				Overall Length	Exposed Length	Hex Size	G		
1/2	FEC-502-8FP	FE-501	1/2-14 NPSF	3.50	2.68	1.125	1.22		
1/2	FEC-502-10FO	FE-501	7/8-14 UNF	3.50	2.68	1.125	1.22		
1/2	FEC-502-12FO	FE-501	1 1/16-12 UNF	3.79	2.97	1.500	1.65		
5/8	FEC-622-12FO	FEM-621	1 1/16-12 UN	4.19	3.39	1.500	1.65		
3/4	FEC-752-12FO	FEM-751	1 1/16-12 UN	4.84	3.76	1.500	1.65		
1	FEC-1002-16FP	FEM-1001	1-11 1/2 NPSF	5.35	4.15	1.88	2.06		
1	FEC-1002-16FO	FEM-1001	1 5/16-12 UN	5.35	4.15	1.88	2.06		

Standard Port Configurations

FP - Female Pipe Thread

FO - Female Straight Thread