

TURNING CHALLENGES INTO SOLUTIONS!



UTILITY | CONSTRUCTION | FOUNDATION | DRIVES | FLIGHT | PARTS

YOU HAVE CHALLENGES. WE HAVE SOLUTIONS!



www.pengoattachments.com

800.599.0211 | 712.845.2540 | FAX 800.915.6904

Division of
 INTERNATIONAL
EQUIPMENT
SOLUTIONS
www.iesholdings.com

COPYRIGHT PENGO CORPORATION 2013. CONTACT PENGOALES@PENGOATTACHMENTS.COM

PENGO

PENGO was established in 1950 near San Francisco, California to design and manufacture utility industry equipment to pull and tension high voltage transmissions lines. The company later developed augers to drill efficiently in conditions, which, at the time, were considered extremely difficult. Within a few years, Pengo held over 169 patents, most of which are still the basis for current drilling industry standards. The BoRH® auger line is the latest patented product that has been chosen by the leading dealers, distributors, and OEM (Original Equipment Manufacturers).

Today, PENGO is the largest manufacturer of augers and related wear parts in the world, serving the utility, construction, agriculture, foundation, and major worldwide OEM customers. Our products are available through a network of over 500 dealers and OEM's. The product line has included forged, cast and fabricated attachment and foundation drilling tools and components. PENGO acquired CAM Manufacturing in May 2004. This added the conveyor screw product line and the ability to manufacturer heavy duty helical and sectional flighting.

With manufacturing and distribution points in Iowa and Minnesota, we have several locations to serve you.



CONSTRUCTION
Aggregate Mining
Utility Agriculture

International Equipment Solutions, LLC (IES) was formed in September 2011 through the support of KPS Capital Partners, LP (KPS). Our companies employ more than 1,500 people and operate 14 manufacturing facilities throughout North America and other parts of the world. Our customers include major OEMs, national rental and retail fleet companies and hundreds of OEM-aligned and independent dealers serving a wide range of global markets. IES also focuses on direct sales to highly specialized customers.



PENGO is proud to be a part of the following organizations.



PENGO is at your fingertips!



Headquarters | 500 E. Hwy 10, Laurens, IA 50554 712.845.2540

Flight Manufacturing | 13369 60th Street, Cokato, MN 55321 320.286.5581

UTILITY

PRODUCT CATALOG



UTILITY

LET'S BREAK
GROUND
TOGETHER



www.pengoattachments.com | 800.599.0211

powerful construction attachments

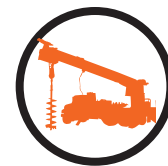
Utility Catalog



MD AUGERS | CHOOSE YOUR OPTION

FEATURES

- Build your own auger from six different options
- For dirt and rock drilling
- Custom augers available



ACCESSORIES

- Revolution Series Drives

| OAL | FLIGHT THICK | FLIGHT LENGTHS | HUBS |
|--------------------------------------|-------------------|---|-----------------------|
| 104" Standard 88", 102" available | 5/16" Standard | 60" Standard 36", 40", 52" available | H-200, H-250 H-262 |

OPTION ONE | Typical Dirt Applications

| TEETH | PILOT | FLIGHT LENGTHS | HUBS |
|----------------------------|--------|---|-----------------------|
| 1851 and 1652 Fas-N-Lok | FH-205 | 60" Standard 36", 40", 52" available | H-200, H-250 H-262 |

OPTION TWO | Typical Dirt Applications

| TEETH | PILOT | FLIGHT LENGTHS | HUBS |
|----------------------------|--------|---|-----------------------|
| 1851 and 1652 Fas-N-Lok | P-1650 | 60" Standard 36", 40", 52" available | H-200, H-250 H-262 |

OPTION THREE | High Abrasion, Frozen Soil, Low Impact Applications

| TEETH | PILOT | FLIGHT LENGTHS | HUBS |
|----------------------------|---------|---|-----------------------|
| 1656 and 1658 Fas-N-Lok | FH-205C | 60" Standard 36", 40", 52" available | H-200, H-250 H-262 |

OPTION FOUR | High Abrasion, Frozen Soil, Low Impact Applications

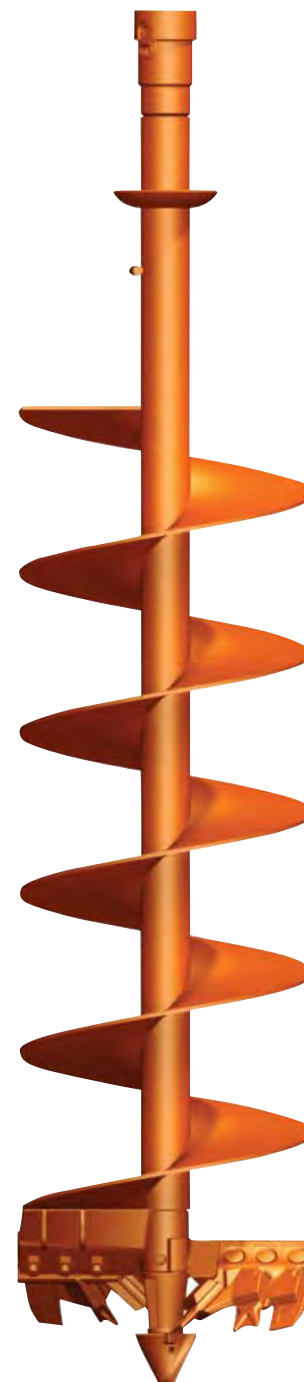
| TEETH | PILOT | FLIGHT LENGTHS | HUBS |
|----------------------------|--------|---|-----------------------|
| 1656 and 1658 Fas-N-Lok | P-1656 | 60" Standard 36", 40", 52" available | H-200, H-250 H-262 |

OPTION FIVE | Typical Dirt Applications

| TEETH | PILOT | FLIGHT LENGTHS | HUBS |
|----------------------------|--------|---|-----------------------|
| 1851 and 1652 Fas-N-Lok | TF-600 | 60" Standard 36", 40", 52" available | H-200, H-250 H-262 |

OPTION SIX | Fracturable Rock Applications

| TEETH | PILOT | FLIGHT LENGTHS | HUBS |
|------------------------|-------------------|---|-----------------------|
| SL-02 Conical Tooth | RCP 6.5 Bullet | 60" Standard 36", 40", 52" available | H-200, H-250 H-262 |





MD AUGERS | MDR STEP ROCK AUGER



FEATURES

- Designed for Solid, Non-Fracturable Rock
- PFC Teeth and Holders
- P-6000 Pilot Bit
- Custom Orders Available

ACCESSORIES

- Revolution Series Drives

| OAL | FLIGHT | FLIGHT THICK | CENTER SHAFT |
|---------------|--------|--------------|--------------------|
| 104" Standard | Single | 5/16" | 3.75" OD x .312" W |

| PILOT BIT STYLE | TEETH | HUBS |
|-----------------|-------|---------------------|
| P-6000 | PFC-5 | H-200, H-250, H-262 |

| DESCRIPTION | DIA | NO. TEETH | LBS | H-200 | H-250 | H-262 |
|--------------|-----|-----------|-----|--------|--------|--------|
| 9-MDR-10460 | 9" | 4 | 174 | 101100 | 554330 | 101101 |
| 10-MDR-10460 | 10" | 4 | 183 | 101102 | 554331 | 101103 |
| 12-MDR-10460 | 12" | 4 | 217 | 101104 | 554332 | 101105 |
| 14-MDR-10460 | 14" | 4 | 244 | 101106 | 554333 | 101107 |
| 16-MDR-10460 | 16" | 4 | 298 | 101108 | 554320 | 101109 |
| 18-MDR-10460 | 18" | 6 | 327 | 101110 | 554335 | 101111 |
| 20-MDR-10460 | 20" | 8 | 344 | 101112 | 554321 | 101113 |
| 24-MDR-10460 | 24" | 12 | 434 | 101114 | 554322 | 101115 |
| 30-MDR-10460 | 30" | 16 | 560 | 101116 | 554338 | 101117 |
| 36-MDR-10460 | 36" | 20 | 590 | 101118 | 554339 | 101119 |





MD AUGERS | MD ROCK RIPPER®

FEATURES

- New Progressive Style Augur Maximizes Drilling for all types of digger derricks
- For solid and fracturable rock and compacted soil
- The All New Strata SR-76SW Concial Tooth cuts through the rock, not grind it
- Custom augers available

NEW DESIGN



ACCESSORIES

- Revolution Series Drives

| OAL | FLIGHT THICK | FLIGHT LENGTH | HUBS | PILOT | TEETH | HOLDERS |
|------|--------------|---------------|------------------------|-----------------|----------------|---------|
| 104" | 5/16" | 60" | H-200, H-250 and H-262 | RRP 1.75 Square | SR-76SW Bullet | P-10 |

| DESCRIPTION | DIA | NO. TEETH | LBS. | 2" HEX | 2 1/2" HEX | 2 5/8" HEX |
|--------------|-----|-----------|------|--------|------------|------------|
| 9-MRR-10460 | 9" | 10 | 200 | 101150 | 133600 | 101151 |
| 10-MRR-10460 | 10" | 10 | 225 | | 134705 | |
| 12-MRR-10460 | 12" | 12 | 250 | 101152 | 133601 | 101153 |
| 16-MRR-10460 | 16" | 15 | 300 | 101154 | 133602 | 101155 |
| 18-MRR-10460 | 18" | 16 | 340 | 101156 | 133603 | 101157 |
| 20-MRR-10460 | 20" | 17 | 360 | 101158 | 133604 | 101159 |
| 22-MRR-10460 | 22" | 19 | 390 | 101679 | 101679 | |
| 24-MRR-10460 | 24" | 20 | 420 | 101160 | 133605 | 101161 |
| 30-MRR-10460 | 30" | 24 | 470 | 101162 | 133606 | 101163 |
| 36-MRR-10460 | 36" | 26 | 500 | 101164 | 133615 | 101165 |



ROCK RIPPER
US Patent 5,366,031



MD AUGERS | MD QUICK CHANGE



FEATURES

- 60" Flight Length
- One Flight Body - Three Head Options
- No Need to Carry Multiple Augers
- 5/16" Thick Single Flight
- 2", 2 1/2" and 2 5/8" Hex Hubs



FLIGHT BODIES

| DESCRIPTION | DIA | 2" HEX | 2 1/2" HEX | 2 5/8" HEX | DESCRIPTION | DIA | 2" HEX | 2 1/2" HEX | 2 5/8" HEX |
|--------------|-----|--------|------------|------------|--------------|-----|--------|------------|------------|
| 8-FMD-10460 | 8" | 101016 | 556575 | 101017 | 20-FMD-10460 | 20" | 101030 | 556615 | 101031 |
| 9-FMD-10460 | 9" | 101018 | 556580 | 101019 | 22-FMD-10460 | 22" | 101032 | 556620 | 101033 |
| 10-FMD-10460 | 10" | 101020 | 556585 | 101021 | 24-FMD-10460 | 24" | 101034 | 556625 | 101035 |
| 12-FMD-10460 | 12" | 101022 | 556595 | 101023 | 26-FMD-10460 | 26" | 101036 | 556630 | 101037 |
| 14-FMD-10460 | 14" | 101024 | 556600 | 101025 | 27-FMD-10460 | 27" | 101038 | 556635 | 101039 |
| 16-FMD-10460 | 16" | 101026 | 556605 | 101027 | 30-FMD-10460 | 30" | 101040 | 556640 | 101041 |
| 18-FMD-10460 | 18" | 101028 | 556610 | 101029 | 36-FMD-10460 | 36" | 101042 | 556645 | 101043 |



OPTION 1

Carbide/Dirt Head,
1652 and 1650 Teeth,
FH-205 or TF-600 Pilot

| ITEM | FH-205 | FH-205 | TF-600 |
|----------|--------|--------|--------|
| POMDH-8 | 556500 | 101044 | 101579 |
| POMDH-9 | 556505 | 101045 | 101580 |
| POMDH-10 | 556510 | 101046 | 101581 |
| POMDH-12 | 556520 | 101047 | 101582 |
| POMDH-14 | 556525 | 101048 | 101583 |
| POMDH-16 | 556530 | 101049 | 101584 |
| POMDH-18 | 556535 | 101050 | 101585 |
| POMDH-20 | 556540 | 101051 | 101586 |
| POMDH-22 | 556545 | 101052 | 101587 |
| POMDH-24 | 556550 | 101053 | 101588 |
| POMDH-26 | 556555 | 101054 | 101589 |
| POMDH-27 | 556560 | 101055 | 101590 |
| POMDH-30 | 556565 | 101056 | 101591 |
| POMDH-36 | 556570 | 101057 | 101592 |



OPTION 2

Step Rock Head,
PFC-5 Teeth, P-6000 Pilot

| ITEM | PART NO. |
|----------|----------|
| POMDR-9 | 554680 |
| POMDR-10 | 554687 |
| POMDR-12 | 554681 |
| POMDR-14 | 554688 |
| POMDR-16 | 554682 |
| POMDR-18 | 554683 |
| POMDR-20 | 554684 |
| POMDR-24 | 554685 |
| POMDR-30 | 554686 |
| POMDR-36 | 554689 |



OPTION 3

Rock Ripper® Head,
SR-76SW Teeth,
RR 1.75 Sq. Pilot

| ITEM | PART NO. |
|----------|----------|
| POMRR-9 | 133607 |
| POMRR-10 | 133621 |
| POMRR-12 | 133608 |
| POMRR-14 | 102095 |
| POMRR-16 | 133609 |
| POMRR-18 | 133610 |
| POMRR-20 | 133611 |
| POMRR-24 | 133612 |
| POMRR-30 | 133613 |
| POMRR-36 | 133620 |
| POMDR-30 | 554686 |
| POMDR-36 | 554689 |
| POMRR-48 | 102169 |



MD AUGERS | PRESSURE DIGGER ROCK



FEATURES

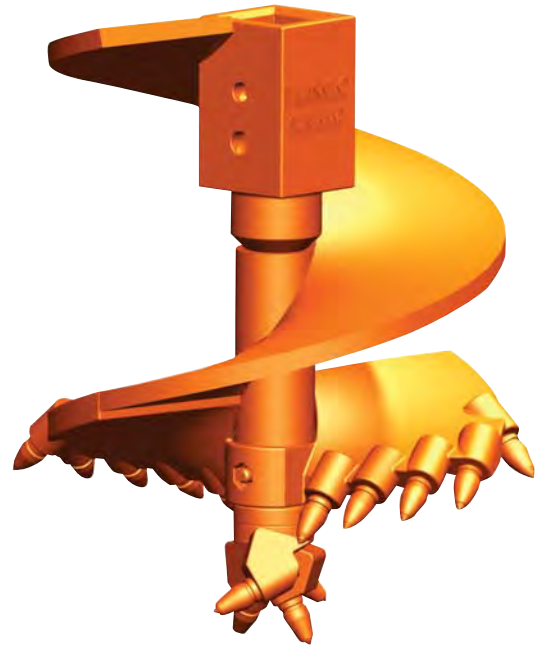
- Great for use in undesirable rocky conditions and areas with minimum ground clearance!
- 3 1/2" Square Hub is Standard
- The All New Strata SR-100 Conical Tooth
- 1" Thick Single Flight

ACCESSORIES

- Revolution Series Drives

| OAL | FLIGHT | FLIGHT THICK | CENTER SHAFT |
|-----|--------|--------------|----------------|
| 30" | Single | 1" | 4" OD x .75" W |

| AUGER HEAD TYPE | PILOT BIT STYLE | TEETH | HUBS |
|-----------------|-----------------|---------------|----------------------------|
| Cast | B40-8.5 Pilot | SR-100 Bullet | S-250, S-300, S-350, S-400 |



| DESCRIPTION | NO TEETH | S-250 | S-300 | S-350 | S-400 |
|-------------|----------|--------|--------|--------|--------|
| 9-PDR-30 | 7 | 102401 | 102268 | 137520 | |
| 10-PDR-30 | 4 | | | 137518 | |
| 12-PDR-30 | 8 | 101975 | 102273 | 137521 | |
| 14-PDR-30 | 10 | | | 102487 | |
| 16-PDR-30 | 8 | 102460 | 102365 | 137522 | |
| 18-PDR-30 | 9 | 101976 | | 137523 | 102524 |
| 20-PDR-30 | 11 | 102386 | 102603 | 101890 | 102069 |
| 24-PDR-30 | 12 | 101977 | 102184 | 137524 | 102525 |
| 26-PDR-30 | 14 | | | 137517 | |
| 30-PDR-30 | 17 | 102450 | 102172 | 137525 | 102070 |
| 32-PDR-30 | 18 | 102152 | | | |
| 36-PDR-30 | 20 | 102250 | 101713 | 137526 | 102527 |
| 42-PDR-30 | 24 | | 102185 | 137527 | 102528 |
| 48-PDR 30 | 28 | | 102360 | 137528 | 102529 |
| 60-PDR-30 | 37 | | 102361 | 137529 | 102230 |
| 72-PDR-30 | 48 | 137530 | | 137530 | |

Pengo® True Cut PDR augers are made with thick, heat-treated cast alloy heads and use heavy-duty 1" shank bullet-style teeth. The cast heat treated head provides superior wear and performance compared to normal fabricated augers.

The PDRs are shipped with the new STRATA Conical Teeth which have a proprietary drilling grade carbide that increases the life of the tooth. Less down time means increased production and productivity. Remember to reorder STRATA SR100 Conical Teeth to maintain optimum wear.



MD AUGERS | PRESSURE DIGGER DIRT



FEATURES

- PENGOs Fas-N-Lok Dirt Teeth
- 3 1/2" Square Hub is Standard
- 1" Thick Single Flight
- 10", 3-Fluted Pilot Bit Provides Outstanding Ground Penetration

ACCESSORIES

- Revolution Series Drives



| OAL | FLIGHT | FLIGHT THICK | CENTER SHAFT |
|-----|--------|--------------|----------------|
| 30" | Single | 1" | 4" OD x .75" W |

| AUGER HEAD TYPE | PILOT BIT STYLE | TEETH | HUBS |
|-----------------|-----------------|-------------|---------------------|
| Cast | TF-1000 | 2070 Series | S-250, S-300, S-350 |

| DESCRIPTION | 2070 TEETH | 2072 TEETH | S-250 | S-300 | S-350 |
|-------------|------------|------------|--------|--------|--------|
| 9-PDD-30 | | | 136352 | | |
| 12-PDD-30 | 2 | 0 | 136353 | | |
| 16-PDD-30 | 2 | 0 | | | 136338 |
| 18-PDD-30 | 2 | 1 | 102535 | | 136339 |
| 20-PDD-30 | 2 | 2 | | | 136340 |
| 24-PDD-30 | 3 | 2 | 102522 | | 136341 |
| 28-PDD-30 | 4 | 2 | | | 102593 |
| 30-PDD-30 | 6 | 2 | | | 136343 |
| 36-PDD-30 | 8 | 2 | | 102429 | 136344 |
| 42-PDD-30 | 10 | 2 | | | 136345 |
| 48-PDD-30 | 10 | 2 | 102426 | 102415 | 136346 |
| 60-PDD-30 | | | | | 136347 |
| 72-PDD-30 | | | | | 136348 |

The Pengo® PDD augers are built with a cast heat treated head that provides superior wear and performance compared to normal fabricated augers. In addition the cast head is field repairable with standard welding techniques, utilizing low hydrogen welding rods and no pre or post heating requirement.





REPLACEMENT HEADS | BORING HEADS

FEATURES

- For Repair of PENGO and Other Augers
- Cast Alloy Steel MDOBH Head



| ITEM | NO. TEETH | LBS | PART NO. |
|----------|-----------|-----|----------|
| 8-MDOBH | 2 | 41 | 552005 |
| 9-MDOBH | 2 | 42 | 552010 |
| 10-MDOBH | 2 | 47 | 552015 |
| 11-MDOBH | 4 | 60 | 552020 |
| 12-MDOBH | 4 | 64 | 552025 |
| 14-MDOBH | 4 | 60 | 552030 |
| 16-MDOBH | 4 | 61 | 552035 |
| 18-MDOBH | 6 | 73 | 552040 |
| 20-MDOBH | 6 | 75 | 552045 |
| 22-MDOBH | 6 | 78 | 552050 |
| 24-MDOBH | 7 | 90 | 552055 |
| 26-MDOBH | 8 | 92 | 552060 |

| ITEM | NO. TEETH | LBS | PART NO. |
|----------|-----------|-----|----------|
| 27-MDOBH | 8 | 109 | 552065 |
| 30-MDOBH | 8 | 121 | 552070 |
| 36-MDOBH | 8 | 140 | 552075 |
| 42-MDOBH | 10 | 160 | 552076 |
| 48-MDOBH | 13 | 180 | 552077 |

To Install: The MDOBH has an extended ramp on one side for welding to flight edge. Weld completely around center shaft and flight edge using a low hydrogen rod.

Boring Head Kits Include: FH-205 Pilot and 1650 Series Fas-N-Lok Teeth

REPLACEMENT HEADS | SHANK PLATES

SHANK PLATES

| ITEM | MM | | TEETH | BOLTS | LBS | PART NO. |
|---------|-----|--------|-------|-------|-------|----------|
| 8"-10" | 203 | 810X | 1 | 1 | 5.5 | 131854 |
| 11"-13" | 279 | 12X | 2 | 1 | 11 | 131770 |
| 14" | 356 | 145X | 2 | 2 | 10.85 | 131788 |
| 16" | 406 | 16X1 | 2 | 2 | 9.5 | 131790 |
| 16" | | 16X2 | 2 | 2 | 9.5 | 131791 |
| 18" | 457 | 18X1 | 3 | 2 | 14 | 131732 |
| 18" | | 18X2 | 3 | 2 | 14 | 131733 |
| 20" | 508 | 20X-1 | 3 | 2 | 14 | 131866 |
| 20" | | 20X-2 | 3 | 2 | 14 | 131867 |
| 22" | 559 | 22X-1 | 3 | 3 | 16 | 131974 |
| 22" | | 22X-2 | 3 | 3 | 16 | 131975 |
| 24" | 610 | 24X-1 | 3 | 3 | 18 | 131872 |
| 24" | | 24X-2 | 4 | 3 | 18 | 131873 |
| 26"-27" | 620 | 267X-1 | 4 | 4 | 20.5 | 131976 |
| 26"-27" | | 267X-2 | 4 | 4 | 20.5 | 131977 |
| 30 | 762 | 30X-1 | 4 | 4 | 25.5 | 131878 |
| 30 | | 30X-2 | 4 | 4 | 25.5 | 131879 |
| 36 | 914 | 36X-1 | 4 | 4 | 32 | 131884 |
| 36 | | 36X-2 | 4 | 4 | 32 | 131885 |



SHANK & PILOT KIT

- Bolts on to MDOBH Heads
- Allows Drilling in Fracturable Rock
- Kit Contains CP-18 Pilot and SL-02 Teeth

| ITEM | LBS | PART NO. |
|--------|------|----------|
| RSK-14 | | 554229 |
| RSK-16 | 43.5 | 554230 |
| RSK-18 | 56.3 | 554231 |
| RSK-20 | 51.5 | 554232 |
| RSK-24 | 56.5 | 554233 |

PENGO STYLE SHANKS

| ITEM | LBS | PART NO. |
|--------|------|----------|
| RSP-14 | | 554243 |
| RSP-16 | 12.5 | 554240 |
| RSP-18 | 15 | 554241 |
| RSP-20 | 16.5 | 554242 |
| RSP-24 | 19 | 554243 |

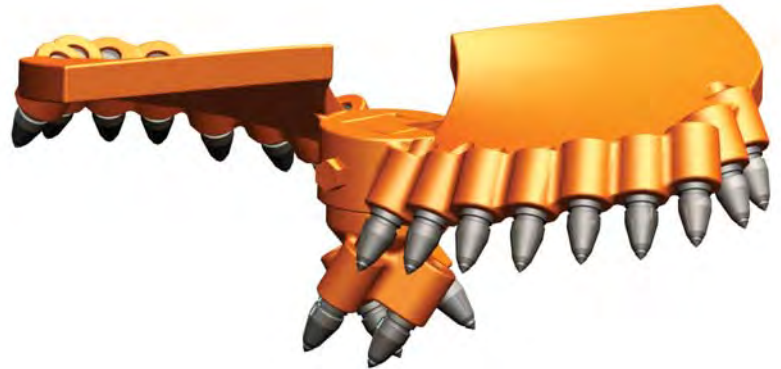


REPLACEMENT HEADS | CAST ROCK HEAD KITS

FEATURES

- Great for Quick Repairs
- Heat-Treated Cast Auger Head
- Field Repairable with Standard Welding Techniques
- SR-100 Strata Conical Teeth and Pilot

| ITEM | NO. TEETH | PART NO. |
|----------|-----------|----------|
| ROCK 16" | 8 | 752800 |
| ROCK 18" | 9 | 752801 |
| ROCK 20" | 11 | 752802 |
| ROCK 24" | 12 | 752803 |
| ROCK 30" | 17 | 752804 |
| ROCK 36" | 20 | 752805 |
| ROCK 42" | 24 | 752806 |
| ROCK 48" | 28 | 752807 |



INCLUDED IN KIT: Cast Head, Pilot Bit, Teeth

REPLACEMENT HEADS | CAST DIRT HEAD KITS

FEATURES

- Low Maintenance, High Strength!
- Heat-Treated Cast Auger Head
- Field Repairable with Standard Welding Techniques
- TF-1000 Pilot and 2070 Series Fas-N-Lok Teeth

| ITEM | NO. TEETH | PART NO. |
|-------------|-----------|----------|
| DIRT 16" | 4 | 752810 |
| DIRT 18" | 6 | 752811 |
| DIRT 20" | 6 | 752812 |
| DIRT 24" | 6 | 752813 |
| DIRT 30/36" | 6 | 752814 |
| DIRT 42/48" | 6 | 752815 |



INCLUDED IN KIT: Cast Head, Pilot Bit, Teeth



ACCESSORIES | REVOLUTION SERIES DRIVES



REVOLUTION DRIVES

Larger, more efficient gearboxes | Two-piece bail design, top section is removable for easy access to motor | Single-speed models have efficient Eaton motors | All two-speed models are automatic shift | Added cooling option for all two-speed models | All models have a crossover pressure relief system which protects the drive



The TruLink™ Torque Monitor system offers true torque readings that deliver a high degree of accuracy (+/- 2%) while providing the operator with real time data. TruLink™ records actual torque being applied to the helical pile, the installation angle and the depth. Unlike other torque monitoring systems available, TruLink isolates torque values only. Downward and side load forces are omitted ensuring the data is clean.



| Part No. | Model | Connection | Speed Config. | Max Flow (gpm) | Max Pressure (psi) | Torque Low (ft/lbs) | Torque High (ft/lbs) | Speed (rpm) | Recommended Prime Mover | | | | | | | |
|----------|-------|------------|---------------|----------------|--------------------|---------------------|----------------------|-------------|-------------------------|----------------------|-----------------|-------------------|----------------|---------------|-----------|------------------------------|
| | | | | | | | | | Mini Skid Steer | Compt Digger Derrick | Compt Excavator | Skid Steer Loader | Digger Derrick | Backhoe (TLB) | Excavator | Excavator Size (metric tons) |
| 610173 | DT-5 | H-250 | Two | 40 | 3000 | 2465 | 4930 | 50 / 100 | | ■ | ■ | ■ | | ■ | | 5T - 8T |
| 610174 | DT-15 | H-300 | Two | 50 | 3000 | 7738 | 15478 | 20 / 40 | | | | | ■ | ■ | ■ | 17T - 25T |
| 610207 | RS-7 | H-200 | Single | 25 | 2500 | 0 | 7512 | 18 | | ■ | ■ | ■ | | | | 5T - 8T |
| 610057 | RS-12 | H-250 | Single | 40 | 3000 | 0 | 13014 | 18 | | | ■ | ■ | ■ | ■ | | 11T - 17T |
| 610058 | RT-9 | H-250 | Two | 50 | 3000 | 4925 | 9850 | 31 / 63 | | | ■ | ■ | ■ | ■ | | 8T - 13T |
| 610059 | RT-12 | H-250 | Two | 50 | 3000 | 5753 | 12330 | 25 / 54 | | | ■ | ■ | ■ | ■ | | 11T - 17T |
| 610060 | RT-20 | H-300 | Two | 50 | 3000 | 11331 | 22662 | 13 / 25 | | | | | | ■ | ■ | 17T - 25T |

CONNECTION SIZES: H-200 = 2" Hex, R-256 = 2 9/16" Round, H-250 = 2 1/2" Hex, H-300 = 3" Hex, H-400 = 4" Hex

Disclaimer:

Output speed and torque specifications are NOT listed at 100% efficiency. Maximum efficiencies have been applied to the torque and speed charts according to the manufacturers recommendations. Speed and torque output are dependant on the overall system efficiencies associated with the prime movers hydraulic system. When the purchaser is determining criteria for specific applications please contact Pengo. Pengo has made every attempt to present accurate and suitable information published on this document. This document should be used for information and comparative purposed only. When application specific information is required, please contact Pengo.

Pengo continually looks for new ways to improve its products. Therefore, Pengo reserves the right to make changes to our products and specifications without notice.



PARTS | PILOT BIT ASSEMBLIES

Assemblies include pilot bit, nuts, bolts and teeth if applicable.

TRIFLOW® 350

Patented pilot bit for use with Aggressor® Series, TriMax®, and Ag Max Augers in dirt, abrasive soil, and fracturable rock applications.



| ITEM | LBS. | PART NO. |
|-------------|------|----------|
| TF-350* | 5 | 135088 |
| TF-350HF* | 5.4 | 135089 |
| TF-350C* | 5.4 | 135090 |
| TF-350CXC* | 5.8 | 135091 |
| TF-350HFTC* | 5.5 | 135092 |

The TriFlow® 350 Pilot is not sold as an assembly. Bolt and nut must be ordered separately.

| | |
|------------------------------|--------|
| 3 1/2" HEX BOLT for 6-9" DIA | 174447 |
| 3 1/2" NUT | 134527 |
| 4" HEX BOLT for 12"+ DIA | 174448 |
| 4" NUT | 174517 |

SCREW BIT

Screw Bit Pilots for use with CS Augers in dirt, abrasive soil, and fracturable rock applications.



| ITEM | LBS. | PART NO. |
|-----------|------|----------|
| SB-25 | .6 | 131740 |
| SB-25C | .6 | 132135 |
| SB-25CXC | .9 | 132758 |
| SB-25HF | 1.5 | 132266 |
| SB-25HFTC | 1.4 | 132590 |
| SB-30 | 1.4 | 131766 |
| SB-30C | 1.5 | 131764 |
| SB-30CXC | 1.5 | 131765 |
| SB-30HF | 1.6 | 132359 |
| SB-30HFTC | 1.6 | 133250 |
| SB-35 | 1.2 | 133402 |
| SB-35C | 1.2 | 133403 |
| SB-35CXC | 1.2 | 133404 |
| SB-35HF | 2.1 | 133405 |
| SB-35HFTC | 2.8 | 133406 |
| SB35SQ | 2.8 | 136809 |
| SB35SQ HF | 4 | 136816 |
| SB-45 | 3.0 | 133407 |
| SB-45C | 3.1 | 133408 |
| SB-45CXC | 3.3 | 133409 |
| SB-45HF | 3.2 | 133410 |
| SB-45HFTC | 3.2 | 133411 |

ROCK RIPPER®

For Use with Severe Rock Ripper® Augers and GP Quick Change auger system in hard rock applications.



| ITEM | LBS. | PART NO. |
|------------|------|----------|
| RR-API/C20 | 14.9 | 157406 |
| RR-1.75 SQ | 15 | 137208 |

TUNGSTEN CARBIDE HEAD

For Use with Step Rock Augers.



| ITEM | LBS. | PART NO. |
|-----------|------|----------|
| 375-TCH-M | 5.1 | 132173 |

DESCRIPTIONS

| | | |
|-------|---|---------------------|
| HF | = | Hard-Faced |
| C | = | Carbide Tipped |
| CXC | = | Carbide |
| HFTC | = | Hard-Faced, Carbide |
| SB-25 | = | 2 1/2" |
| SB-30 | = | 3" |
| SB-35 | = | 3 1/2" |
| SB-45 | = | 4 1/2" |

SCREW BIT

3 1/2" screw bit pilot for use with Ag Aggressor® Augers in dirt applications.



| ITEM | LBS. | PART NO. |
|-------------|------|----------|
| SB35 [S175] | 3.9 | 151318 |

NUTS & BOLTS

| ITEM | LBS. | PART NO. |
|----------------|------|----------|
| 5/16" X 1 1/2" | .2 | 151660 |
| 5/8" X 1 1/2" | .2 | 151640 |
| 3/8" X 3" | .2 | 151672 |





PARTS | REPLACEMENT TEETH


**FAS-N-LOK®
DIRT**

Fas-N-Lok Dirt teeth eliminate the need for RubR-Lok. For use with MD Dirt Augers.



| ITEM | LBS. | PART NO. |
|----------------|------|----------|
| 1650 DIRT | 1 | 140200 |
| 1652 DIRT GAGE | 1.1 | 140020 |
| 1652-HF GAGE | 1 | 140086 |
| 1656 CARBIDE | 1.3 | 140005 |
| 1658 CAR GAGE | 1.4 | 140006 |
| RB56 | 1 | 140022 |
| RB58 | 1 | 140015 |
| 1851 DIRT | 1 | 140017 |
| 2070 | 2 | 140002 |
| 2072 | 2.3 | 140000 |
| 2077 CARBIDE | 2.3 | 140003 |
| 2078 | 2.4 | 140004 |
| 2079 | 3.9 | 140001 |
| 7R55 | 1 | 140018 |
| 16R55 DIRT | 1 | 140019 |

| ITEM | LBS. | PART NO. |
|----------|------|----------|
| RUBR-LOK | .1 | 137601 |

Due to varying manufacturers tolerances, RubR-Lok® might be necessary to obtain the correct fit.

STRATA


Pengo's New Strata Series Drilling Grade Carbide bullet teeth are for use in solid fracturable rock and compacted soil.



| ITEM | LBS. | PART NO. |
|--------|------|----------|
| SR-122 | 2.6 | 850034 |
| SR-100 | 1.1 | 850023 |

ROCK RIPPER®

New Strata Conical Tooth for Use with MD Rock Ripper® Augers in solid fracturable rock and compacted soil.



| ITEM | LBS. | PART NO. |
|---------|------|----------|
| SR-76SW | .5 | 850035 |
| S-RL08 | .5 | 850032 |

BULLET

Pengo's standard bullet teeth are for use in solid fracturable rock and compacted soil.



| ITEM | LBS. | PART NO. |
|-------|------|----------|
| SL-02 | .56 | 850031 |
| S31HD | .56 | 850037 |
| S4-1 | .56 | 850038 |
| S-22 | 2.6 | 850039 |
| SL-04 | .56 | 850016 |

TAPER FIT

Pengo's bullet teeth are for use in solid fracturable rock and compacted soil.



| ITEM | WIDTH | LBS | PART NO. |
|---------------|---------|-----|----------|
| 60 DIRT | 2-9/16" | 1 | 170006 |
| 70 DIRT | 1-5/8" | 1 | 170020 |
| 80 DIRT | 2-5/8" | 2 | 170008 |
| 80C CARBIDE | 2-5/8" | 2 | 170003 |
| 90P DIRT | 1-3/4" | 1.7 | 134855 |
| 95P DIRT | 1-1/4" | 1.5 | 170015 |
| 132 DIRT | 3-1/2" | 2 | 134406 |
| 134 DIRT GAGE | 5" | 2 | 134411 |
| 201 DIRT | 2-1/2" | 2.1 | 170030 |
| 201C CARBIDE | 2-1/2" | 2.1 | 170029 |
| 211 DIRT | 3-3/8" | 2.9 | 170034 |
| 299 CARBIDE | 2-3/8" | 2.8 | 134659 |
| PFC-2 CARBIDE | 2-5/8" | 2.5 | 140112 |
| PFC-5 CARBIDE | 2-1/4" | 1 | 140115 |
| SZ210 | 2-7/8" | 2.5 | 170032 |
| SZ211 | 3-3/16" | 3.5 | 170039 |

DRAG-STYLE

Carbide tooth for use with GP Step Rock Augers in hard rock applications.



| ITEM | LBS. | PART NO. |
|-------|------|----------|
| CB-10 | .8 | 140055 |
| 604-C | .75 | 140065 |

PARTS | HOLDERS

**BULLET
TEETH
HOLDERS**


| ITEM | LBS. | PART NO. |
|------|------|----------|
| B48 | | 800072 |
| P-30 | 2.5 | 990001 |
| P-10 | .8 | 990043 |

**DIRT / DRAG
TEETH
HOLDERS**


| ITEM | LBS. | PART NO. |
|--------|------|----------|
| H-10 | .28 | 157025 |
| FA-70 | 2 | 158110 |
| 1ASR | 2.4 | 156980 |
| B-256 | 2.5 | 155000 |
| C-355 | 3 | 155010 |
| E-555 | 2.5 | 154990 |
| PFC-5H | 1.5 | 157027 |

| ITEM | LBS. | PART NO. |
|---------|------|----------|
| WO-1 | 1.5 | 171565 |
| WO-12 | 2.6 | 171570 |
| WO-5 | 4.0 | 171575 |
| WO-5HDS | 4.5 | 171574 |
| WO-08 | 5.3 | 171577 |
| WO-12 | 2.6 | 171570 |

**CONTACT PENGO SALES
AT 800.599.0211
FOR COMPLETE LISTING
OF REPLACEMENT PARTS**



PARTS | HUBS and HUB ADAPTERS

HEX HUBS

Cast alloy hubs used to upgrade or repair any brand of auger.



SQUARE HUBS

Cast alloy hubs used to upgrade or repair any brand of auger.



FEMALE ADAPTERS HEX FEMALE



ROUND MALE

| ITEM | SIZE | LBS. | PART NO. |
|---------|----------------|------|----------|
| RH-1375 | 1 3/8" | 1 | 133156 |
| RH-812 | 13/16" | .6 | 153955 |
| RH-1625 | 1 5/8" | 3.1 | 153958 |
| H-200U | 2" UNIVERSAL | 10.5 | 154121 |
| H-250 | 2 1/2" SLOTTED | 19.7 | 154141 |
| H-262 | 2 5/8" SLOTTED | 17.6 | 154151 |
| H-225 | 2 1/2" CAST | 12.5 | 154160 |
| H-300 | 3" CAST | 21 | 154205 |

| ITEM | SIZE | LBS. | PART NO. |
|---------|------------|------|----------|
| S-200 | 2" CAST | 19 | 153990 |
| S-225 | 2-1/4" FAB | 20 | 154002 |
| S-250 | 2 1/2" CST | 21 | 154010 |
| S-300 | 3" CAST | 40 | 154020 |
| S-350 | 3 1/2" CST | 52.3 | 154030 |
| S-400 | 4" CAST | 65 | 154050 |
| S-130MM | CAST | 100 | 154161 |
| S-150MM | CAST | 175 | 154162 |
| S-177MM | CAST | 205 | 154163 |

| ITEM | LBS. | PART NO. |
|-----------------|------|----------|
| H-200F X H-250M | 22 | 132609 |
| H-200F X H-262M | 23 | 133379 |
| H-200F X R-200M | 14 | 557156 |
| H-225F X H-200M | 20 | 557159 |
| H-250F X H-200M | 30 | 132419 |
| H-250F X H-262M | 31 | 136466 |
| H-250F X R-256M | 31 | 151025 |
| H-250F X S-200M | 29 | 132946 |
| H-250F X S-250M | 33 | 133560 |
| H-250F X H-262M | 26 | 136466 |
| H-250F X S-200M | 29 | 132946 |
| H-250F X S-250M | 30 | 133560 |
| H-262F X H-200M | 26 | 133938 |
| H-262F X H-225M | 26 | 133939 |
| H-262F X H-250M | 30 | 132702 |
| H-262F X S-250M | 30 | 132703 |
| H-262F X S-300M | 34 | 133923 |
| S-250F X H-225M | 32 | 132842 |
| S-300F X S-250M | 34 | 133137 |
| S-350F X S-300M | 37 | 134797 |

More adapters available. Contact customer service for more information.

SCREW ANCHOR TOOL

The SAT screw anchor tool is used for installing anchors, without having to remove the auger. Slip the tool over the pilot bit. (FH-205, FH-105, C-120, SB-50) as shown.

Insert the thimble (eye) of the anchor into the end of the SAT-80. Screw anchor into the ground.

| ITEM | LBS. | PART NO. |
|--------|------|----------|
| SAT-80 | 15.5 | 157530 |



CAUTION: The SAT-80 is for use only on pressure diggers and only for installation, never for removal of anchors. Failure to meet these precautions may cause safety hazards.

PARTS | ACCESSORIES

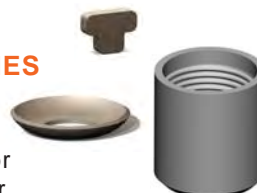
DRIVE LUGS

Cast alloy drivelugs used with screw bits can upgrade or repair any brand of auger.



STORAGE ACCESSORIES

These items are optional accessories for your MD auger.



| ITEM | PILOT | LBS. | PART NO. |
|--------|----------------|------|----------|
| 141-L | 375-TCH-171 | 1.3 | 151970 |
| 141-R | SB-35 or SB-45 | 1 | 151956 |
| 141-MT | SB-35 or SB-45 | 1.3 | 151960 |
| MF-MM | SB-35 or SB-45 | 2.2 | 151020 |

| ITEM | LBS. | PART NO. |
|----------------------------------|------|----------|
| 10" 1345-3.75 DISH | 6.8 | 151735 |
| 10" CUST - 4" ID DISH | 7 | 132875 |
| 8" 1345-3.00 DISH | 4.5 | 151732 |
| 8" 1345-3.75 DISH | 4.5 | 151731 |
| 2 3/8" API, 3 1/2" OD BOX THREAD | 6.1 | 132191 |
| 2-3/8" API, 4" OD BOX THREAD | 7 | 151193 |
| REACH ALL WIND-UP | 0.8 | 157704 |

DRIVE PINS

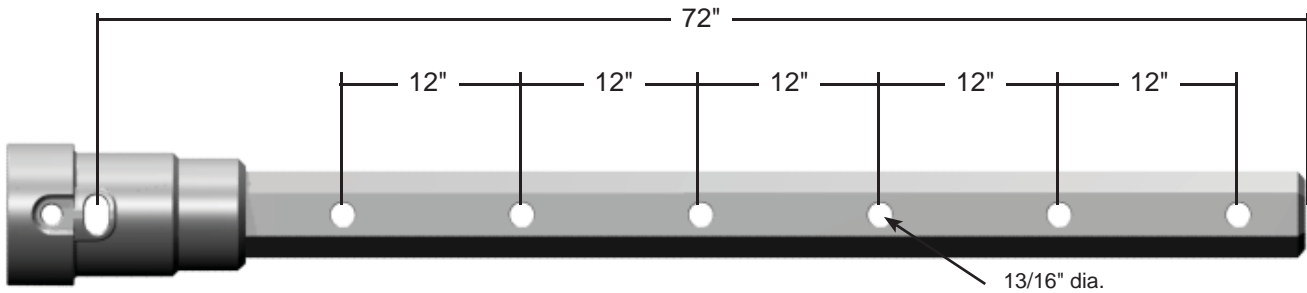
| ITEM | DIMS Dia x OAL | LBS. | PART NO. |
|------|----------------|------|----------|
| DP-2 | 3/8" x 1-1/2" | .1 | 157779 |
| DP-3 | 1/2" x 2" | .1 | 157780 |
| DP-4 | 5/8" x 2-3/4" | .3 | 157781 |
| DP-5 | 5/8" x 3-1/2" | .5 | 157782 |

TOOLS

| ITEM | LBS. | PART NO. |
|----------------|------|----------|
| SOFT HAMMER | 3.5 | 137737 |
| DRIFT PUNCH | .8 | 137750 |
| HORSESHOE NAIL | 1 | 137620 |
| RUBR-LOK | .1 | 137601 |
| P-10 Pin | .1 | 137610 |



PARTS | EXTENSIONS AND COUPLERS


MD TELESCOPING

| ITEM | DESCRIPTION | PART NO. |
|----------|-----------------------|----------|
| HE20-12 | 2" HEX X 12" | 557142 |
| HE20-24 | 2" HEX X 24" | 557143 |
| HE20-36 | 2" HEX X 36" | 557144 |
| HE20-48 | 2" HEX X 48" | 557145 |
| HE20-60 | 2" HEX X 60" | 557146 |
| HE20-72 | 2" HEX X 72" | 557147 |
| HE20-84 | 2" HEX X 84" | 557148 |
| HE20-96 | 2" HEX X 96" | 557149 |
| HE20-120 | 2" HEX X 120" | 557150 |
| HE20-144 | 2" HEX X 144" | 557151 |
| HE25-12 | 2 1/2" HEX X 12" | 557126 |
| HE25-24 | 2 1/2" HEX X 24" | 557162 |
| HE25-36 | 2 1/2" HEX X 36" | 557128 |
| HE25-48 | 2 1/2" HEX X 48" | 557129 |
| HE25-60 | 2 1/2" HEX X 60" | 557130 |
| HE25-72 | 2 1/2" HEX X 72" | 557163 |
| HE25-90 | 2 1/2" HEX X 90" | 135598 |
| HE26-12 | 2 5/8" HEX X 12" | 557119 |
| HE26-24 | 2 5/8" HEX X 24" | 557120 |
| HE26-36 | 2 5/8" HEX X 36" | 557121 |
| HE26-48 | 2 5/8" HEX X 48" | 557122 |
| HE26-60 | 2 5/8" HEX X 60" | 557160 |
| HE26-72 | 2 5/8" HEX X 72" | 557161 |
| HE225-72 | 2 1/4" HEX X 72" | 557140 |
| | H-250F X H-262M X 72" | 557172 |
| | H-262F X H-250M X 72" | 557170 |

2" HEX TELESCOPING

| ITEM | LBS. | PART NO. |
|------------------|------|----------|
| HE20-12 STANDARD | 22 | 557142 |
| HE20-24 STANDARD | 34 | 557143 |
| HE20-36 STANDARD | 46 | 557144 |
| HE20-48 STANDARD | 58 | 557145 |
| HE20-60 STANDARD | | 557146 |
| HE20-72 STANDARD | | 557147 |
| HE20-84 | | 557148 |
| HE20-96 | | 557149 |
| HE20-120 | | 557150 |
| HE20-144 HT | | 557151 |

3" HEX

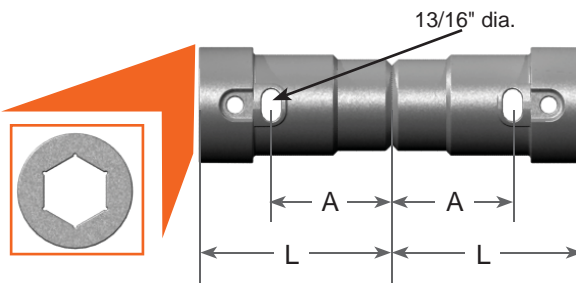
| ITEM | LBS. | PART NO. |
|-----------------|------|----------|
| H300 X 24" OAL | | 134870 |
| H300 X 36" OAL | 98 | 134871 |
| H300 X 48" OAL | 124 | 134872 |
| H300 X 60" OAL | | 134844 |
| H300 X 72" OAL | 175 | 134847 |
| H300 X 102" OAL | | 134828 |

**EXTENSION BARS
no HUBS with HOLES**

| ITEM | LBS. | PART NO. |
|----------------------|------|----------|
| 2" HEX X 72" STD | | 137570 |
| 2-5/8" HEX X 72" STD | | 137572 |
| H-250 X 72" STD | | 137571 |

**EXTENSION BARS
no HUBS no HOLES**

| ITEM | LBS. | PART NO. |
|---------------------|-------|----------|
| H-200 X 72" HEX BAR | 70.7 | 151125 |
| H-225 X 72" HEX BAR | 89.5 | 151126 |
| H-250 X 72" HEX BAR | 110.5 | 151127 |
| H-262 X 72" HEX BAR | 110.5 | 151128 |

MD HEX COUPLERS


| ITEM | DESCRIPTION | A | L | LBS. | PART NO. |
|---------|-----------------|----|----|------|----------|
| H-200-C | 2" x 2" | 3" | 8" | 13 | 553400 |
| H-250-C | 2 1/2" x 2 1/2" | 5" | 8" | 22 | 553402 |
| H-262-C | 2 5/8" x 2 5/8" | 5" | 8" | 21 | 553403 |

**CONTACT PENGO SALES
AT 800.599.0211
FOR COMPLETE LISTING
OF REPLACEMENT PARTS**

CONSTRUCTION

PRODUCT CATALOG



CONSTRUCTION

**LET'S BR
BREAK
GROUND
TOGETHER**



www.pengoattachments.com | 800.599.0211

powerful construction attachments

General Purpose and Construction Catalog



GP AUGERS | AGGRESSOR®

FEATURES

- 40° or 50° Dual Angle Teeth
- TriFlow® Pilot Bit with Three Drill Points
- 5/16" Thick Double Flight
- 3 Point Lock Lug and Bolt



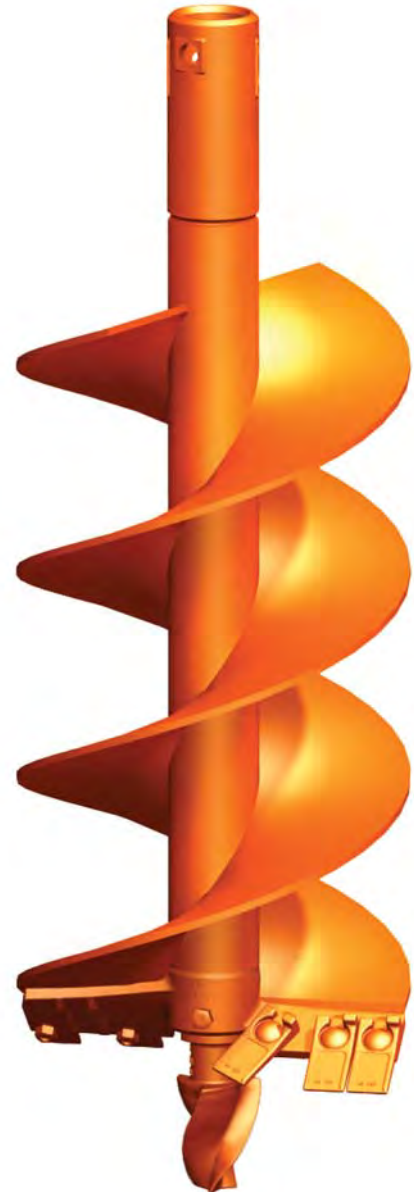
ACCESSORIES

- Bolt On Rock Head® (see pg. 15)
- Revolution Series Drives
- R-256 Auger Stand (135102)

| OAL | FLIGHT | FLIGHT THICK | CENTER SHAFT |
|------------|------------------------|--------------|--|
| 49" or 51" | Double/ Semi-Double | 5/16" | 2 7/8" OD x .203" W 3 1/2" OD x .300" W |

| AUGER HEAD TYPE | PILOT BIT STYLE | TEETH | HUBS |
|-----------------|-----------------|--------------|---------------------|
| Cast | TF-350 | 40/50 Series | R-200, R-256, H-200 |

| ITEM | FLIGHT | DIA | NO. TEETH | LBS. | R256 | R200 | H200 |
|----------|-------------|-----|-----------|------|--------|--------|--------|
| 6-AR-49 | Semi-Double | 6" | 2 | 54 | 135534 | 135570 | 135546 |
| 9-AR-49 | Double | 9" | 4 | 78 | 135535 | 135571 | 135547 |
| 12-AR-51 | Double | 12" | 4 | 114 | 135536 | 135572 | 135548 |
| 15-AR-51 | Double | 15" | 5 | 117 | 135537 | 135573 | 135549 |
| 18-AR-51 | Double | 18" | 6 | 145 | 135538 | 135574 | 135550 |
| 24-AR-51 | Double | 24" | 8 | 210 | 135539 | 135575 | 135551 |
| 30-AR-51 | Double | 30" | 10 | 220 | 135540 | 135576 | 135552 |
| 36-AR-51 | Double | 36" | 12 | 295 | 135541 | 135577 | 135553 |



AGGRESSOR
US Patents: 5,426,875 5,433,033 and 5,476,149



GP AUGERS | LANDSCAPE AGGRESSOR®



FEATURES

- 40° or 50° Dual Angle Teeth
- TriFlow® Pilot Bit with Three Drill Points
- 1/4" Thick Semi-Double Flight
- 3 Point Lock Lug and Bolt

ACCESSORIES

- Revolution Series MS Drives
- R-256 Auger Stand (135102)

| OAL | FLIGHT | FLIGHT THICK | CENTER SHAFT |
|-----------------|-------------|--------------|---------------------|
| 30", 42" or 48" | Semi-Double | 1/4" | 2 7/8" OD x .203" W |

| AUGER HEAD TYPE | PILOT BIT STYLE | TEETH | HUBS |
|-----------------|-----------------|--------------|--------------|
| Cast | TF-350 | 40/50 Series | R-200, R-256 |

| ITEM | DIA | NO. TEETH | LBS. | R256 | R200 |
|------------|--------|-----------|------|--------|--------|
| 6-MA-42 | 6" | 2 | 35 | 138100 | 138000 |
| 9-MA-42 | 9" | 4 | 42 | 138101 | 138001 |
| 12-MA-42 | 12" | 4 | 46 | 138102 | 138002 |
| 15-MA-42 | 15" | 5 | 50 | 138103 | 138003 |
| 18-MA-42 | 18" | 6 | 67 | 138104 | 138004 |
| 24-MA-42 | 24" | 8 | 85 | 138105 | 138005 |
| 30-MA-42 | 30" | 10 | 104 | 138108 | 138008 |
| 36-MA-42 | 36" | 12 | 220 | 138109 | 138009 |
| 924-MA-42 | 9/24" | 8 | 71 | 138106 | 138006 |
| 1230-MA-42 | 12/30" | 11 | 75 | 138107 | 138007 |



LANDSCAPE AGGRESSOR®



GP AUGERS | TRIMAX®



FEATURES

- 35 Series Fas-N-Lok® Teeth
- TriFlow® Pilot Bit with Three Drill Points
- 5/16" Thick Double Flight
- 3 Point Lock Lug and Bolt

ACCESSORIES

- Weld-On Boring Heads (see pg. 15)
- Revolution Series Drives
- R-256 Auger Stand (135102)

| OAL | FLIGHT | FLIGHT THICK | CENTER SHAFT |
|-----------------|------------------|--------------|---------------------|
| 42", 48" or 60" | Single or Double | 5/16" | 3 1/2" OD x .300" W |

| AUGER HEAD TYPE | PILOT BIT STYLE | TEETH | HUBS |
|-----------------|-----------------|--------------------------|---------------------|
| Cast | TF-350 | 37 Series Teeth and 5T30 | R-200, R-256, H-200 |

42" OAL

SINGLE FLIGHT

DOUBLE FLIGHT

| ITEM | DIA | NO. TEETH | LBS. | R256 | R200 | H200 | LBS. | R256 | H200 |
|----------|-----|-----------|------|--------|--------|--------|------|--------|--------|
| 6-TM-42 | 6" | 2 | 46 | 552940 | 101324 | 101318 | 52 | 553464 | 101327 |
| 8-TM-42 | 8" | 4 | 55 | 553071 | 102175 | 101319 | 59 | 553465 | 101328 |
| 9-TM-42 | 9" | 4 | 59 | 553072 | 101325 | 552960 | 74 | 553466 | 101329 |
| 10-TM-42 | 10" | 4 | 66 | 553073 | | 552962 | 77 | 553467 | 101330 |
| 12-TM-42 | 12" | 4 | 76 | 553074 | 101326 | 552964 | 88 | 553468 | 101331 |
| 14-TM-42 | 14" | 6 | 91 | 553075 | | 552966 | 102 | 553469 | 101332 |
| 16-TM-42 | 16" | 6 | 97 | 553076 | | 552968 | 116 | 553470 | 101333 |
| 18-TM-42 | 18" | 6 | 112 | 553077 | 102188 | 552970 | 129 | 553471 | 101334 |
| 20-TM-42 | 20" | 6 | 117 | 553078 | | 552972 | 135 | 553472 | 101335 |
| 24-TM-42 | 24" | 8 | 151 | 553079 | | 552974 | 156 | 553473 | 101336 |
| 30-TM-42 | 30" | 10 | 168 | 553080 | | 101320 | 173 | 553474 | 101337 |
| 36-TM-42 | 36" | 12 | 270 | 553081 | | 101321 | 284 | 553475 | 101338 |
| 42-TM-42 | 42" | 15 | 302 | 553082 | | 101322 | 343 | 553476 | 101339 |
| 48-TM-42 | 48" | 18 | 380 | 553083 | | 101323 | | 553477 | 102133 |



Single Flight
TriMax® Auger



US Patents: 5,476,149



GP AUGERS | TRIMAX®



48" OAL

SINGLE FLIGHT

DOUBLE FLIGHT

| ITEM | DIA | NO. TEETH | LBS | R256 | R200 | H200 | LBS. | R256 | R200 | H200 |
|----------|-----|-----------|-----|--------|--------|--------|------|--------|--------|--------|
| 6-TM-48 | 6" | 2 | 49 | 553090 | 101519 | 101340 | 58 | 553480 | 101612 | 101354 |
| 8-TM-48 | 8" | 4 | 58 | 553091 | 101700 | 101341 | 65 | 553481 | 101613 | 101355 |
| 9-TM-48 | 9" | 4 | 62 | 553092 | 101520 | 101342 | 80 | 553482 | | 101356 |
| 10-TM-48 | 10" | 4 | 69 | 553093 | 102045 | 101343 | 83 | 553483 | 102103 | 101357 |
| 12-TM-48 | 12" | 4 | 79 | 553094 | 101521 | 101344 | 94 | 553484 | 101617 | 101358 |
| 14-TM-48 | 14" | 6 | 94 | 553095 | 102122 | 101345 | 108 | 553485 | 102130 | 101359 |
| 16-TM-48 | 16" | 6 | 100 | 553096 | | 101346 | 122 | 553486 | | 101360 |
| 18-TM-48 | 18" | 6 | 115 | 553097 | 102046 | 101347 | 135 | 553487 | | 101361 |
| 20-TM-48 | 20" | 6 | 120 | 553098 | | 101348 | 140 | 553488 | | 101362 |
| 24-TM-48 | 24" | 8 | 153 | 553099 | 102047 | 101349 | 162 | 553489 | | 101363 |
| 30-TM-48 | 30" | 10 | 171 | 553100 | | 101350 | 180 | 553490 | | 101364 |
| 36-TM-48 | 36" | 12 | 273 | 553101 | | 101351 | 293 | 553491 | | 101365 |
| 42-TM-48 | 42" | 15 | 305 | 553102 | | 101352 | 355 | 553492 | | 101366 |
| 48-TM-48 | 48" | 18 | | 553103 | | 101353 | | 553493 | | 101367 |

60" OAL

SINGLE FLIGHT

DOUBLE FLIGHT

| ITEM | DIA | NO. TEETH | LBS. | R256 | R200 | H200 | LBS. | H200 |
|----------|-----|-----------|------|--------|--------|--------|------|--------|
| 6-TM-60 | 6" | 2 | 71 | 102225 | 101573 | 553110 | | |
| 8-TM-60 | 8" | 4 | 76 | | | 553111 | | |
| 9-TM-60 | 9" | 4 | 89 | 101621 | 101694 | 553112 | | |
| 10-TM-60 | 10" | 4 | 91 | | | 553113 | | 101702 |
| 12-TM-60 | 12" | 4 | 102 | 102216 | 101695 | 553114 | | 101703 |
| 14-TM-60 | 14" | 6 | 111 | | | 553115 | | 101704 |
| 16-TM-60 | 16" | 6 | 125 | | | 553116 | | |
| 18-TM-60 | 18" | 6 | 146 | | | 553117 | | |
| 20-TM-60 | 20" | 6 | 151 | | | 553118 | | |
| 24-TM-60 | 24" | 8 | 186 | | | 553119 | | 102025 |
| 30-TM-60 | 30" | 10 | 210 | | | 553120 | | |
| 36-TM-60 | 36" | 12 | 410 | | | 553121 | | |
| 42-TM-60 | 42" | 15 | 452 | | | 553122 | | |
| 48-TM-60 | 48" | 18 | | | | 553123 | | |



Double Flight
TriMax® Auger



US Patents: 5,476,149



GP AUGERS | STEP ROCK AUGER



FEATURES

- CB-10 Drag Style Teeth and H-10 Holder
- 375-TCH-171 Pilot Bit
- 5/16" Thick Single Flight

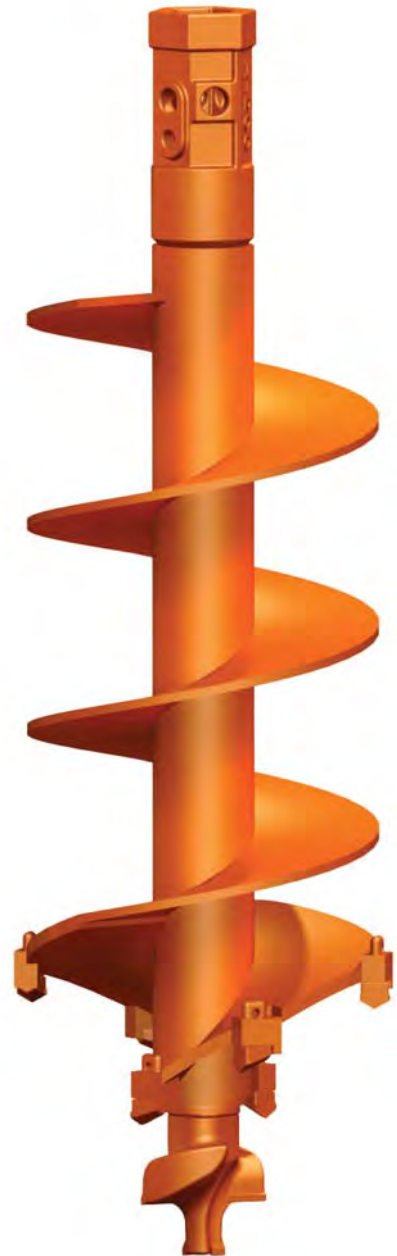
ACCESSORIES

- Revolution Series Drives
- Universal Mounting Plate

| OAL | FLIGHT | FLIGHT THICK | CENTER SHAFT |
|-----|--------|--------------|--|
| 42" | Single | 5/16" | 2 7/8" OD x .203" W 3 1/2" OD x .300" W |

| AUGER HEAD TYPE | PILOT BIT STYLE | TEETH | HUBS |
|-----------------|-----------------|---------------|-------|
| Fabricated | 375-TCH-171 | CB-10 Carbide | H-200 |

| ITEM | DIA | NO. TEETH | LBS. | H200 |
|-------------|-----|-----------|------|--------|
| 6-GPSRA-42 | 6" | 4 | 50 | 553443 |
| 8-GPSRA-42 | 8" | 4 | 56 | 553444 |
| 9-GPSRA-42 | 9" | 4 | 65 | 553445 |
| 10-GPSRA-42 | 10" | 5 | 69 | 553446 |
| 12-GPSRA-42 | 12" | 6 | 80 | 553447 |
| 16-GPSRA-42 | 16" | 8 | 110 | 553449 |
| 18-GPSRA-42 | 18" | 9 | 125 | 553450 |
| 24-GPSRA-42 | 25" | 12 | 150 | 553452 |





GP AUGERS | SEVERE ROCK RIPPER®

FEATURES

- Hardfaced Outside Gage Holders
- Heat-Treated Cast Alloy Head (6"-12")
- 1/2" Thick Lead Flight
- The SRL-08 Concial Tooth
- For Use in Difficult Rock Drilling Conditions.



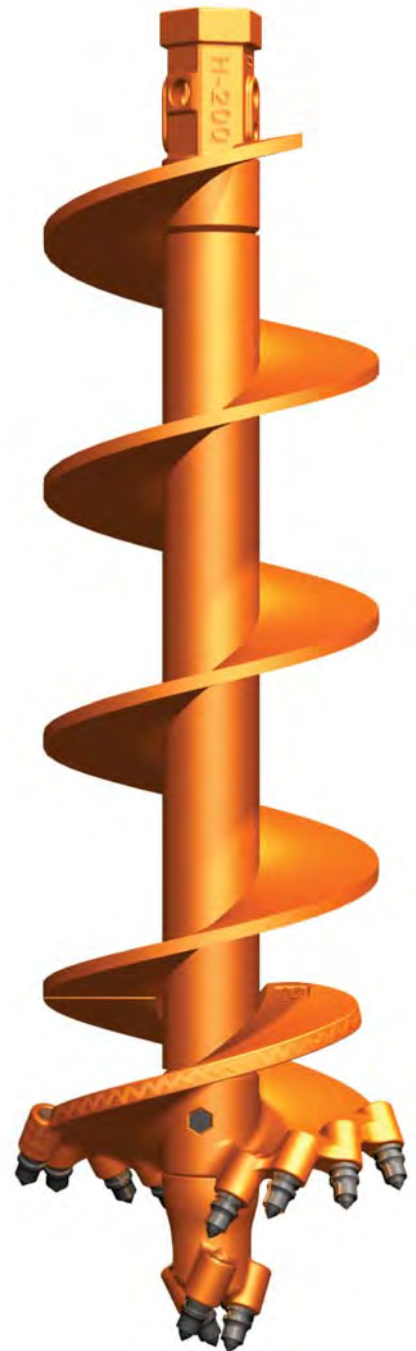
ACCESSORIES

- Revolution Series Drives
- Universal Mounting Plate

| OAL | FLIGHT | FLIGHT THICK | CENTER SHAFT |
|-----|--------|--------------|---------------------|
| 48" | Single | 1/2" | 3 1/2" OD x .300" W |

| AUGER HEAD TYPE | PILOT BIT STYLE | TEETH | HUBS |
|-----------------|-----------------|--------|-------|
| Cast & Fab | RR 1.75 Sq. | SRL-08 | H-200 |

| ITEM | DIA | NO. TEETH | LBS. | H200 |
|-----------|-----|-----------|------|--------|
| 6-SRR-48 | 6" | 8 | 80 | 137950 |
| 9-SRR-48 | 9" | 10 | 108 | 137951 |
| 12-SRR-48 | 12" | 12 | 135 | 137952 |
| 16-SRR-48 | 16" | 15 | 170 | 137953 |
| 18-SRR-48 | 18" | 16 | 192 | 137954 |
| 20-SRR-48 | 20" | 17 | 220 | 137955 |
| 24-SRR-48 | 24" | 20 | 285 | 137956 |





GP AUGERS | CS AUGERS

FEATURES

- Two-Fluted Pilot Bit
- 35 Series Fas-N-Lok® Teeth
- 1/8" Thick Single Flight



| OAL | FLIGHT | FLIGHT THICK | CENTER SHAFT |
|-----------------|--------|--------------|---------------------|
| 36", 42" or 48" | Single | 1/8" | 1 5/8" OD x .140" W |

| AUGER HEAD TYPE | PILOT BIT STYLE | TEETH | HUBS |
|-----------------|-------------------|-----------|--|
| Fabricated | SB25, SB35 & SB45 | 35 Series | 7/8" Sq, 1" Rnd, Stihl, 1 3/8" Hex, 1 1/4" Sq. |

| ITEM | DIA | LBS. | 1" RND | 2" PENGO | 7/8" SQ. | 1 3/8" HEX | STIHL | 1 1/4" SQ. |
|----------|-----|------|--------|----------|----------|------------|--------|------------|
| 2-CS-36 | 2" | 8 | 101368 | 101380 | 553295 | | 101780 | 102164 |
| 3-CS-36 | 3" | 10 | 101369 | 101381 | 553296 | | | 102165 |
| 4-CS-36 | 4" | 17 | 101370 | 101382 | 553297 | 101697 | 101599 | 101739 |
| 6-CS-36 | 6" | 18 | 101371 | 101383 | 553298 | 101618 | 101652 | 101602 |
| 7-CS-36 | 7" | 18 | 101372 | 101384 | 553299 | | | 101538 |
| 8-CS-36 | 8" | 23 | 101373 | 101385 | 553301 | 101578 | | 101544 |
| 9-CS-36 | 9" | 27 | 101374 | 101386 | 101386 | | | 101669 |
| 10-CS-36 | 10" | 27 | 101375 | 101387 | 553303 | 101559 | 101727 | 101535 |
| 12-CS-36 | 12" | 30 | 101376 | 101388 | 553304 | 101546 | 101677 | 101545 |
| 14-CS-36 | 14" | 38 | 101377 | 101389 | 135902 | | | 102177 |
| 16-CS-36 | 16" | 45 | 101378 | 101390 | 553306 | | 101743 | |
| 18-CS-36 | 18" | 47 | 101379 | 101391 | 553307 | | | |

| ITEM | DIA | LBS. | 1" RND | 2" PENGO | 7/8" SQ. | 1 3/8" HEX | STIHL | 1 1/4" SQ. |
|----------|-----|------|--------|----------|----------|------------|--------|------------|
| 2-CS-42 | 2" | 9 | 101392 | 101404 | 553311 | | | |
| 3-CS-42 | 3" | 11 | 101393 | 101405 | 133919 | | | |
| 4-CS-42 | 4" | 15 | 101394 | 101406 | 553313 | | 102075 | |
| 6-CS-42 | 6" | 20 | 101395 | 101407 | 553314 | 101629 | 101616 | 101558 |
| 7-CS-42 | 7" | 21 | 101396 | 101408 | 553316 | | | |
| 8-CS-42 | 8" | 25 | 101397 | 101409 | 553318 | 101651 | 101642 | 101577 |
| 9-CS-42 | 9" | 30 | 101398 | 101410 | 553319 | 101701 | | 101692 |
| 10-CS-42 | 10" | 30 | 101399 | 101411 | 553321 | 101603 | 102063 | |
| 12-CS-42 | 12" | 32 | 101400 | 101412 | 553323 | 101604 | 101726 | 101650 |
| 14-CS-42 | 14" | 40 | 101401 | 101413 | 134711 | | | |
| 16-CS-42 | 16" | 47 | 101402 | 101414 | 553324 | | 102064 | 102124 |
| 18-CS-42 | 18" | 50 | 101403 | 101415 | 553326 | | 101725 | 101791 |



STANDARD HUBS AVAILABLE:

| | |
|------------------------|---------------|
| 1 1/4" Round with Lock | Stihl |
| 1" Round | General |
| 1 1/4" Square | Little Beaver |
| 7/8" Square | Groundhog |
| 1 3/8" Hex | General |
| 1 1/4" Hex | Stanley |



GP AUGERS | HAND HELD AUGERS



FEATURES

- Lightweight and Durable
- Heat-Treated Cast Auger Head
- 1" Square Hub
- Easily Replacable - Insert, Turn and Bolt!
- Auger Flight Fits Securely Under Tabs
- Only One Bolt and Nut Required

ACCESSORIES

- OMA-250H
One Man Auger Unit (see pg. 17)

| OAL | FLIGHT | FLIGHT THICK | CENTER SHAFT |
|-----|-------------|--------------|-----------------|
| 36" | Semi-Double | 1/8" | 1" OD x .109" W |

| AUGER HEAD TYPE | PILOT BIT STYLE | TEETH | HUBS |
|-----------------|-----------------|-------|-----------|
| Cast | HH Cast | None | 1" Square |

| ITEM | DIA | LBS. | PART NO. |
|---------------------|-----|------|----------|
| 4-HH-36 | 4" | 7 | 137293 |
| 6-HH-36 | 6" | 9 | 137294 |
| 8-HH-36 | 8" | 14 | 137295 |
| 4" Replacement Head | 4" | .7 | 137290 |
| 6" Replacement Head | 6" | .9 | 137291 |
| 8" Replacement Head | 8" | 1.1 | 137292 |



One Piece Heat Treated
Cast Auger Head



GP AUGERS | GP QUICK CHANGE



FEATURES

- 42" OAL Assembled
- One Flight Body - Three Head Options
- No Need to Carry Multiple Augers
- 5/16" Thick Single Flight
- 2" Round, 2" Hex and 2 9/16" Round Hubs

FLIGHT BODIES

| ITEM | DIA | LBS. | R256 | R200 | H200 |
|--------|-----|------|--------|--------|--------|
| FGP-6 | 6" | 40 | 553710 | 101270 | 101269 |
| FGP-8 | 8" | 41 | 553711 | 101273 | 101272 |
| FGP-9 | 9" | 49 | 553712 | 101276 | 101275 |
| FGP-10 | 10" | 52 | 553713 | 101279 | 101278 |
| FGP-12 | 12" | 61 | 553714 | 101282 | 101281 |
| FGP-16 | 16" | 88 | 553716 | 101285 | 101284 |
| FGP-18 | 18" | 102 | 553718 | 101288 | 101287 |
| FGP-20 | 20" | 115 | 553720 | 101291 | 101290 |
| FGP-24 | 24" | 120 | 553719 | 101294 | 101293 |
| FGP-30 | 30" | 145 | 135670 | 101297 | 101296 |



Quick Change Connection
6" - 12" Diameter = 1 5/8" Hex
16" - 24" Diameter = 2" Hex



OPTION 1

TriMax Head, 37 and 5T30 Teeth, TriFlow® Pilot Bit

| ITEM | NO. Teeth | LBS. | PART |
|----------|-----------|------|--------|
| POTMH-6 | 2 | 18 | 553700 |
| POTMH-8 | 4 | 20 | 553701 |
| POTMH-9 | 4 | 22 | 553702 |
| POTMH-10 | 4 | 22 | 553703 |
| POTMH-12 | 4 | 23 | 553704 |
| POTMH-16 | 6 | 27 | 553705 |
| POTMH-18 | 6 | 34 | 553706 |
| POTMH-20 | 6 | 36 | 553707 |
| POTMH-24 | 8 | 40 | 553708 |
| POTMH-30 | 10 | 46 | 553709 |



OPTION 2

Step Rock Head, CB-10 Teeth, 375-TCH-171 Pilot

| ITEM | NO. Teeth | LBS. | PART |
|----------|-----------|------|--------|
| POLRH-6 | 4 | 14 | 553690 |
| POLRH-8 | 4 | 19 | 553691 |
| POLRH-9 | 4 | 20 | 553692 |
| POLRH-10 | 5 | 21 | 553693 |
| POLRH-12 | 6 | 23 | 553694 |
| POLRH-16 | 8 | 28 | 553696 |
| POLRH-18 | 8 | 29 | 553697 |
| POLRH-20 | 9 | 33 | 553698 |
| POLRH-24 | 10 | 36 | 553699 |
| POLRH-30 | 12 | 45 | 135674 |



OPTION 3

Rock Ripper® Head, SR76SW Teeth, RR 1.75 Sq. Pilot

| ITEM | NO. Teeth | LBS. | PART |
|----------|-----------|------|--------|
| 6-POSRR | 8 | 32 | 133880 |
| 8-POSRR | 10 | 34 | 133881 |
| 9-POSRR | 10 | 37 | 133882 |
| 10-POSRR | 10 | 39 | 133883 |
| 12-POSRR | 12 | 46 | 133884 |
| 16-POSRR | 15 | 66 | 133885 |
| 18-POSRR | 16 | 76 | 133886 |
| 20-POSRR | 17 | 88 | 133887 |
| 24-POSRR | 20 | 115 | 133888 |
| 30-POSRR | 24 | 163 | 133889 |



GP AUGERS | TREE AUGER

FEATURES

- 40° or 50° Dual Angle Teeth
- TriFlow® Pilot Bit with Three Drill Points
- 5/16" Thick Double Flight
- 3 Point Lock Lug and Bolt



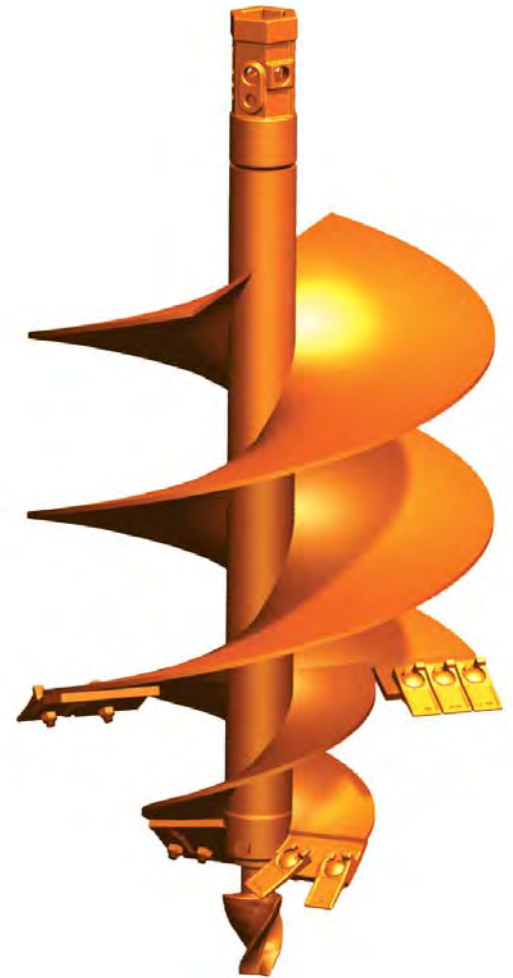
ACCESSORIES

- Bolt On Rock Head (see pg. 15)
- Revolution Series Drives
- R-256 Auger Stand (135102)

| OAL | FLIGHT | FLIGHT THICK | CENTER SHAFT |
|-----|-----------------|--------------|--|
| 48" | Double/Semi Dbl | 5/16" | 2 7/8" OD x .203" W 3 1/2" OD x .300" W |

| AUGER HEAD TYPE | PILOT BIT STYLE | TEETH | HUBS |
|-----------------|-----------------|--------------|---------------------|
| Cast | TF-350 | 40/50 Series | R-200, R-256, H-200 |

| ITEM | DIA 1 | DIA 2 | NO. TEETH | R256 | R200 | H200 |
|------------|-------|-------|-----------|--------|--------|--------|
| 918-AR-48 | 9" | 18" | 8 | 135542 | 135578 | 135554 |
| 1224-AR-48 | 12" | 24" | 9 | 135523 | 135579 | 135555 |
| 1530-AR-48 | 15" | 30" | 11 | 135544 | 135580 | 135556 |
| 1836-AR-48 | 18" | 36" | 13 | 135545 | 135581 | 135557 |





AG AUGERS | PTO AGGRESSOR®



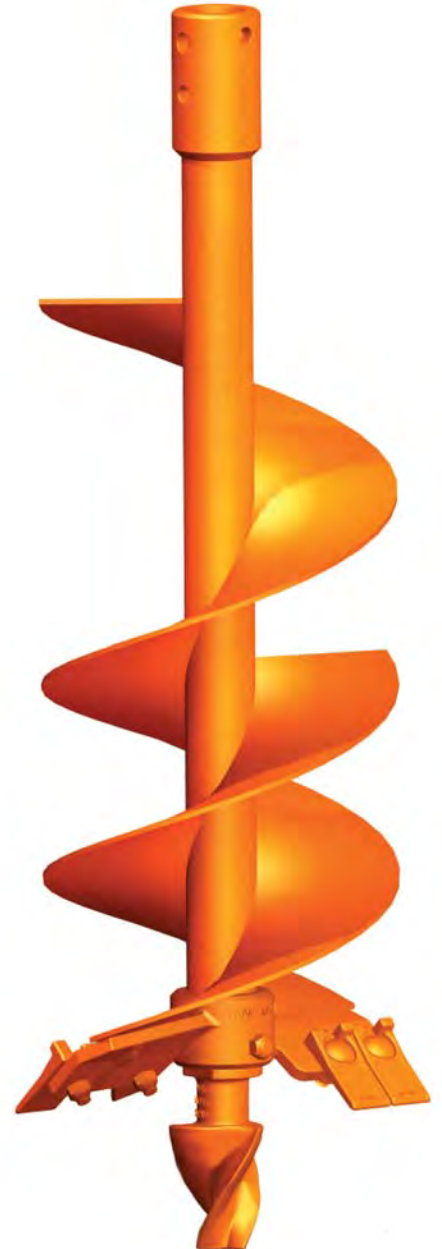
FEATURES

- 40° or 50° Dual Angle Teeth
- TriFlow® Pilot Bit with Three Drill Points
- 3/16" Thick Helicoid Flight
- 3 Point Lock Lug and Bolt
- 2" Round Hub
- OAL = 30", 42" and 48"

| OAL | FLIGHT | FLIGHT THICK | CENTER SHAFT |
|--------------|-------------------|--------------|---------------------|
| 30", 42, 48" | Helicoid/Semi-DbI | 3/16" | 2 3/8" OD x .154" W |

| AUGER HEAD TYPE | PILOT BIT STYLE | TEETH | HUBS |
|-----------------|-----------------|--------------|-------|
| Cast | TF-350 | 40/50 Series | R-200 |

| ITEM | DIA | NO. TEETH | 30" OAL | LBS. | 42" OAL | LBS. | 48" OAL |
|-----------|-----|-----------|---------|------|---------|------|---------|
| 9-AR-PTO | 9" | 4 | 137141 | 39 | 137152 | 42 | 137181 |
| 12-AR-PTO | 12" | 4 | 137142 | 47 | 137153 | 54 | 137182 |
| 15-AR-PTO | 15" | 5 | 137143 | 53 | 137154 | 58 | 137183 |
| 18-AR-PTO | 18" | 6 | 137144 | 59 | 137155 | 63 | 137184 |
| 24-AR-PTO | 24" | 8 | 137145 | 65 | 137156 | 67 | 137185 |



PTO
AGGRESSOR®



AG AUGERS | AG AGGRESSOR®

FEATURES

- 40° or 50° Dual Angle Teeth
- SB-35 S175 Pilot Bit
- 3/8" Thick Helicoid Flight
- 2" Round Safety Hub, a PENGO Exclusive!
- OAL = 42" and 48"



ACCESSORIES

- Revolution Series MS Drives

| OAL | FLIGHT | FLIGHT THICK | CENTER SHAFT |
|------------|-----------------|--------------|---------------------|
| 42" or 48" | Double/Semi-Dbl | 3/8" | 2 3/8" OD x .154" W |

| AUGER HEAD TYPE | PILOT BIT STYLE | TEETH | HUBS |
|-----------------|-----------------|--------------|-------|
| Fabricated | SB-35 S175 | 40/50 Series | R-200 |

| ITEM | DIA | NO. TEETH | LBS. | 42" | LBS. | 48" |
|-----------|-----|-----------|------|--------|------|--------|
| 6-LTA-42 | 6" | 2 | 35 | 553225 | | 553228 |
| 9-LTA-42 | 9" | 4 | 52 | 553226 | | 553229 |
| 12-LTA-42 | 12" | 4 | 58 | 553227 | | 553230 |



AGGRESSOR®



AG AUGERS | AG MAX

FEATURES

- 35 Series Fas-N-Lok® Teeth
- TriFlow Pilot Bit with Three Drill Points
- 3/16" Thick Helicoid Flight
- 2" Round Hub, 2 9/16" Round and 2" Hex
- OAL = 42" and 48"

ACCESSORIES

- Revolution Series Drives
- Universal Mounting Plate



| OAL | FLIGHT | FLIGHT THICK | CENTER SHAFT |
|------------|--------|--------------|---------------------|
| 42" or 48" | Single | 3/16" | 2 3/8" OD x .154" W |

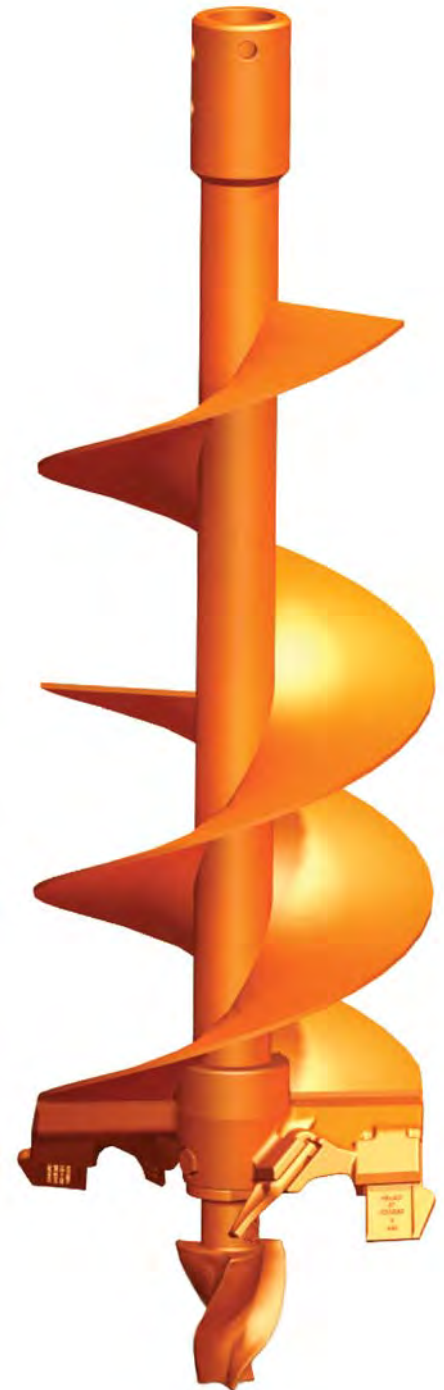
| AUGER HEAD TYPE | PILOT BIT STYLE | TEETH | HUBS |
|-----------------|-----------------|--------------------|--------------|
| Cast | TF- 350 | 37 Series and 5T30 | R-200, R-256 |

42" AG MAX

| ITEM | HUB | NO. TEETH | PART NO. |
|--------------|-------|-----------|----------|
| 6-AGMAX-42 | R-200 | 2 | 553600 |
| 9-AGMAX-42 | R-200 | 4 | 553605 |
| 9-AGMAX-42D | R-256 | 4 | 101444 |
| 9-AGMAX-42D | R-200 | 4 | 552478 |
| 10-AGMAX-42D | R-200 | 4 | 552479 |
| 12-AGMAX-42 | R-200 | 4 | 553610 |
| 16-AGMAX-42 | R-200 | 6 | 553628 |
| 18-AGMAX-42 | R-200 | 6 | 553631 |

48" AG MAX

| ITEM | HUB | NO. TEETH | PART NO. |
|-------------|-------|-----------|----------|
| 6-AGMAX-48 | R-200 | 2 | 555050 |
| 9-AGMAX-48 | R-200 | 2 | 555051 |
| 9-AGMAX-48 | R-256 | 2 | 102119 |
| 12-AGMAX-48 | R-200 | 2 | 555052 |
| 14-AGMAX-48 | R-200 | 4 | 555053 |
| 14-AGMAX-48 | H-200 | 4 | 102212 |
| 16-AGMAX-48 | R-200 | 4 | 555054 |
| 18-AGMAX-48 | R-200 | 4 | 555055 |
| 24-AGMAX-48 | R-200 | 6 | 555056 |





REPLACEMENT HEADS | BOLT on ROCK HEAD®

FEATURES

- Pengo's Patented Bolt On Rock Head®
- Convert Your Dirt Aggressor into a Rock Auger in Minutes!
- Innovative Wear Caps
- Pengo's Exclusive S21-RR Tooth
- Diameters from 6" to 24"

| ITEM | DIA | NO. TEETH | LBS. | R200 |
|---------|-----|-----------|------|--------|
| 6-BORH | 6" | 8 | 24 | 137991 |
| 9-BORH | 9" | 10 | 36 | 137992 |
| 12-BORH | 12" | 12 | 43 | 137993 |
| 15-BORH | 15" | 14 | 47 | 137994 |
| 18-BORH | 18" | 16 | 62 | 137995 |
| 24-BORH | 24" | 20 | 79 | 137996 |



U.S Patent 7,669,673



Please note the BoRH® is compatible with the new and improved Pengo Aggressor only.

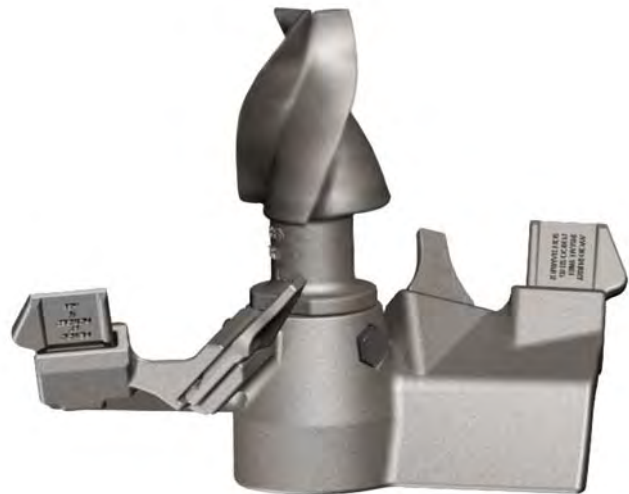
Bolt On Rock Head® Kits Contain: Auger Boring Head & Pilot, Wear Caps, Bullet Style Carbide Teeth, Hardware

REPLACEMENT HEADS | TriMax® Weld-On Boring Heads

FEATURES

- Pengo's Tri-Flow® 350 Pilot Bit
- Pengo's Fas-N-Lok® Dirt Teeth
- Diameters from 6" to 48"

| ITEM | DIA | NO. TEETH | LBS. | PART NO. |
|----------|-----|-----------|------|----------|
| TMOBH-6 | 6" | 2 | 12 | 135813 |
| TMOBH-8 | 8" | 4 | 17 | 135814 |
| TMOBH-9 | 9" | 4 | 18 | 135815 |
| TMOBH-10 | 10" | 4 | 19 | 135816 |
| TMOBH-12 | 12" | 4 | 21 | 135817 |
| TMOBH-14 | 14" | 6 | 22 | 135818 |
| TMOBH-16 | 16" | 6 | 24 | 135819 |
| TMOBH-18 | 18" | 6 | 25 | 135820 |
| TMOBH-20 | 20" | 6 | 27 | 135821 |
| TMOBH-24 | 24" | 8 | 32 | 135822 |
| TMOBH-30 | 30" | 10 | 40 | 135823 |
| TMOBH-36 | 36" | 12 | 48 | 135824 |
| TMOBH-42 | 42" | 16 | 56 | 135825 |
| TMOBH-48 | 48" | 18 | 64 | 135826 |



TriMAX
US Patents: 5,476,149

TriMax® Boring Heads: Auger Boring Head & Pilot, 37 Gage and 5T30 Fas-N-Lok® Teeth, and Hardware



REPLACEMENT HEADS | CS AUGER KITS

CS HEAD KITS

CSA heads with weld-on drivlug and CSAT heads with threaded drivlug provide a durable cutting edge featuring replaceable teeth. Any brand of auger can be upgraded.

| ITEM | NO. TEETH | LBS. | PART NO. |
|--------|-----------|------|----------|
| 4-CSA | | 3.8 | 553165 |
| 6-CSA | 1 | 3.3 | 553170 |
| 7-CSA | 1 | 3.3 | 553175 |
| 8-CSA | 2 | 4.5 | 553180 |
| 9-CSA | 2 | 4.8 | 553185 |
| 10-CSA | 2 | 4.8 | 553190 |
| 12-CSA | 2 | 5.0 | 553195 |
| 16-CSA | 5 | 8.9 | 553198 |
| 18-CSA | 2 | 9.3 | 553200 |



CS Head Kits Contain: SB-25 Pilot with Nut & Bolt, Pilot Drivelug, Shank and 35 Series Teeth.

REPLACEMENT HEADS | CS SHANKS AND HEAD PLATES

CS SHANK PLATES



CS shank plates restore augers with worn tooth holders or upgrade augers with serrated edges. Shank plate welds to the underside of auger's bottom plate.

| ITEM | LBS. | PART NO. |
|---------|------|----------|
| 6/7-CS | 1.4 | 154510 |
| 8-CS | 2.2 | 154520 |
| 9/10-CS | 2.5 | 154530 |
| 12-CS | 2.5 | 154540 |
| 18-CS-1 | 2.9 | 154550 |
| 18-CS-2 | 4.5 | 154560 |

CS HEAD PLATES



CS head plates upgrade any brand of augers.

| ITEM | LBS. | PART NO. |
|-----------|------|----------|
| 6-SC-CSA | 1.4 | 153300 |
| 7-SC-CSA | 1.6 | 153301 |
| 8-SC-CSA | 2.8 | 153302 |
| 9-SC-CSA | 3.2 | 153303 |
| 10-SC-CSA | 4.3 | 153304 |
| 12-SC-CSA | 5.9 | 153305 |



ACCESSORIES | REVOLUTION SERIES DRIVES



REVOLUTION DRIVES

- Larger, more efficient gearboxes
- | Two-piece bail design, top section is removable for easy access to motor
- | Single-speed models have efficient Eaton motors | All two-speed models are automatic shift
- | Added cooling option for all two-speed models
- | All models have a crossover pressure relief system which protects the drive

The TruLink™ Torque Monitor system offers true torque readings that deliver a high degree of accuracy (+/- 2%) while providing the operator with real time data. TruLink™ records actual torque being applied to the helical pile, the installation angle and the depth. Unlike other torque monitoring systems available, TruLink isolates torque values only. Downward and side load forces are omitted ensuring the data is clean.



TRULINK
TORQUE MONITOR

REVOLUTION SERIES

| Part No. | Model | Connection | Speed Config. | Max Flow (gpm) | Max Pressure (psi) | Torque Low (ft/lbs) | Torque High (ft/lbs) | Speed (rpm) | Recommended Prime Mover | | | | | | Excavator Size (metric tons) | |
|----------|--------|------------|---------------|----------------|--------------------|---------------------|----------------------|-------------|-------------------------|---------------------|----------------|-------------------|----------------|---------------|------------------------------|-----------|
| | | | | | | | | | Mini Skid Steer | Comp Digger Derrick | Comp Excavator | Skid Steer Loader | Digger Derrick | Backhoe (TLB) | | Excavator |
| 700107 | MS-100 | R-256 | Single | 25 | 3000 | 0 | 1149 | 134 | ■ | | | | | | | |
| 700152 | MS-100 | H-200 | Single | 25 | 3000 | 0 | 1149 | 134 | ■ | | | | | | | |
| 700106 | MS-125 | R-256 | Single | 25 | 3000 | 0 | 1378 | 112 | ■ | | | | | | | |
| 700153 | MS-125 | H-200 | Single | 25 | 3000 | 0 | 1378 | 112 | ■ | | | | | | | |
| 610171 | DS-2 | H-200 | Single | 25 | 3000 | 0 | 2356 | 65 | | ■ | ■ | ■ | | | | 2T - 3T |
| 610267 | DS-2 | R-256 | Single | 25 | 3000 | 0 | 2356 | 65 | | ■ | ■ | ■ | | | | 2T - 3T |
| 610172 | DS-3 | H-200 | Single | 25 | 3000 | 0 | 3859 | 40 | | ■ | ■ | ■ | | | | 2T - 4T |
| 610173 | DT-5 | H-250 | Two | 40 | 3000 | 2465 | 4930 | 50 / 100 | | ■ | ■ | ■ | | ■ | | 5T - 8T |
| 610174 | DT-15 | H-300 | Two | 50 | 3000 | 7738 | 15478 | 20 / 40 | | | | | | ■ | ■ | 17T - 25T |
| 610442 | DV-20 | H-300 | Variable | 60 | 4000 | 13337 | 22507 | 24 / 40 | | | | | | | ■ | 17T - 25T |

CONNECTION SIZES: H-200 = 2" Hex, R-256 = 2 9/16" Round, H-250 = 2 1/2" Hex, H-300 = 3" Hex, H-400 = 4" Hex

Disclaimer:

Output speed and torque specifications are NOT listed at 100% efficiency. Maximum efficiencies have been applied to the torque and speed charts according to the manufacturers recommendations. Speed and torque output are dependant on the overall system efficiencies associated with the prime movers hydraulic system. When the purchaser is determining criteria for specific applications please contact Pengo. Pengo has made every attempt to present accurate and suitable information published on this document. This document should be used for information and comparative purposed only. When application specific information is required, please contact Pengo.

Pengo continually looks for new ways to improve its products. Therefore, Pengo reserves the right to make changes to our products and specifications without notice.



ACCESSORIES | DRIVE MOUNTS for SKID-STEER

LONG REACH MOUNT FOR SKID LOADER

- o Provides maximum ground clearance of 7' to 11' depending model selected.
- o Increases height capability so drillers can use longer auger bits and anchor installers can use longer sections.
- o Unique design optimizes the operators visibility by positioning the Drive up to 48" from the front of the skid loader.
- o Standard retractable stabilizer arms allow the Drive attachment to stand upright when not in use. Improves ability to store, transport and attach to the skid loader.
- o Designed to be used with up to a 12,000 ft/lb Drive.

| ITEM DESCRIPTION | PART NO. |
|---------------------------------|----------|
| Long Reach Universal Skid Mount | 661318 |



SKID LOADER MOUNT ATTACHMENT PLATE

Attachment Plate connects to the mounting plate on the front of the Skid Loader. The Link Arm connects to both the Attachment Plate and the Drive Unit with the supplied connection pins.

| ITEM DESCRIPTION | PART NO. |
|---------------------------------|----------|
| Universal Skid Mount - Standard | 661111 |





PARTS | PILOT BIT ASSEMBLIES

Assemblies include pilot bit, nuts, bolts and teeth if applicable.

TRIFLOW® 350

Patented pilot bit for use with Aggressor® Series, TriMax®, and Ag Max Augers in dirt, abrasive soil, and fracturable rock applications.



| ITEM | LBS. | PART NO. |
|-------------|------|----------|
| TF-350* | 5 | 135088 |
| TF-350HF* | 5.4 | 135089 |
| TF-350C* | 5.4 | 135090 |
| TF-350CXC* | 5.8 | 135091 |
| TF-350HFTC* | 5.5 | 135092 |

The TriFlow® 350 Pilot is not sold as an assembly. Bolt and nut must be ordered separately.

| | |
|------------------------------|--------|
| 3 1/2" HEX BOLT for 6-9" DIA | 174447 |
| 4" HEX BOLT for 12"+ DIA | 174448 |

SCREW BIT

Screw Bit Pilots for use with CS Augers in dirt, abrasive soil, and fracturable rock applications.



| ITEM | LBS. | PART NO. |
|-----------|------|----------|
| SB-25 | .6 | 131740 |
| SB-25C | .6 | 132135 |
| SB-25CXC | .9 | 132758 |
| SB-25HF | 1.5 | 132266 |
| SB-25HFTC | 1.4 | 132590 |
| SB-30 | 1.4 | 131766 |
| SB-30C | 1.5 | 131764 |
| SB-30CXC | 1.5 | 131765 |
| SB-30HF | 1.6 | 132359 |
| SB-30HFTC | 1.6 | 133250 |
| SB-35 | 1.2 | 133402 |
| SB-35C | 1.2 | 133403 |
| SB-35CXC | 1.2 | 133404 |
| SB-35HF | 2.1 | 133405 |
| SB-35HFTC | 2.8 | 133406 |
| SB35SQ | 2.8 | 136809 |
| SB35SQ HF | 4 | 136816 |
| SB-45 | 3.0 | 133407 |
| SB-45C | 3.1 | 133408 |
| SB-45CXC | 3.3 | 133409 |
| SB-45HF | 3.2 | 133410 |
| SB-45HFTC | 3.2 | 133411 |

ROCK RIPPER®

For Use with Severe Rock Ripper® Augers and GP Quick Change auger system in hard rock applications.



| ITEM | LBS. | PART NO. |
|------------|------|----------|
| RR-API/C20 | 14.9 | 157405 |
| RRP-API RR | 14.9 | 137210 |
| RR-1.75 SQ | 15 | 137208 |

TUNGSTEN CARBIDE HEAD

For Use with Step Rock Augers.



| ITEM | LBS. | PART NO. |
|-----------|------|----------|
| 375-TCH-M | 5.1 | 132173 |

DESCRIPTIONS

| | | |
|-------|---|---------------------|
| HF | = | Hard-Faced |
| C | = | Carbide Tipped |
| CXC | = | Carbide |
| HFTC | = | Hard-Faced, Carbide |
| SB-25 | = | 2 1/2" |
| SB-30 | = | 3" |
| SB-35 | = | 3 1/2" |
| SB-45 | = | 4 1/2" |

SCREW BIT

3 1/2" screw bit pilot for use with Ag Aggressor® Augers in dirt applications.



| ITEM | LBS. | PART NO. |
|-------------|------|----------|
| SB35 [S175] | 3.9 | 151318 |

NUTS & BOLTS

| ITEM | LBS. | PART NO. |
|----------------|------|----------|
| 5/16" X 1 1/2" | .2 | 151660 |
| 5/8" X 1 1/2" | .2 | 151640 |
| 3/8" X 3" | .2 | 151672 |





PARTS | RELACEMENT TEETH

40/50 DIRT

For Use with Aggressor® Series Augers in ordinary dirt, abrasive and frozen soil.



| ITEM | LBS. | PART NO. |
|---------------|------|----------|
| 40/50 DIRT | .5 | 134501 |
| 40/50C | .5 | 134519 |
| 40/50HFF | .5 | 134802 |
| CARRIAGE BOLT | .2 | 134677 |
| NUT HEX LOCK | .1 | 134527 |

BORH

Pengo's proprietary P21-RR bullet tooth is for with the BoRH® in solid fracturable rock and compacted soil.



| ITEM | LBS. | PART NO. |
|--------|------|----------|
| P21-RR | .6 | 850019 |



STRATA
DRILLING GRADE CARBIDE

ROCK RIPPER®

The New STRATA SR-76SW conical tooth is for use with Rock Ripper® Augers in solid fracturable rock and compacted soil.



| ITEM | LBS. | PART NO. |
|---------|------|----------|
| SR-76SW | .5 | 850035 |
| SRL-08 | .5 | 850032 |

Note: SRL08 is not a STRATA Series Tooth but is compatible with the Rock Ripper Augers.

DRAG-STYLE

Carbide tooth for use with GP Step Rock Augers in hard rock applications.



| ITEM | LBS. | PART NO. |
|-------|------|----------|
| CB-10 | .8 | 140055 |

FAS-N-LOK® DIRT

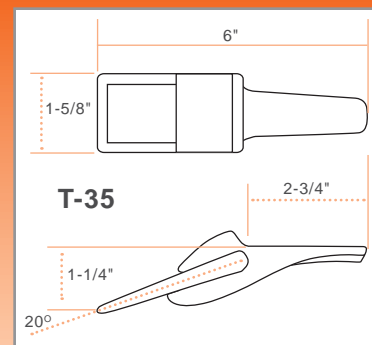
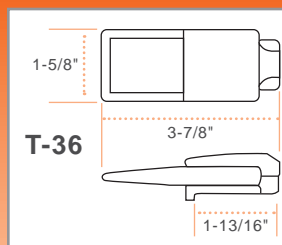
Fas-N-Lok Dirt teeth eliminate the need for RubRLok. Just remove old teeth and pop on the Fas-N-Lok teeth.



| ITEM | SOIL TYPE | LBS. | PART NO. |
|-------------|-------------------------------------|------|----------|
| 1336L C | Abrasive, Frozen | .6 | 140016 |
| 35 DIRT | Ordinary Dirt | .4 | 133835 |
| 35-C | Compacted Rock, Abrasive, No Impact | .4 | 140007 |
| 35-HF | Abrasive, Impact | .6 | 140008 |
| 35-HFF | Abrasive, Impact | .6 | 140009 |
| 37 GAGE | Dirt | | 140027 |
| 37-HF GAGE | Abrasive, Impact | .6 | 140010 |
| 5T30 | Loose Rock, Abrasive, No Impact | .4 | 140029 |
| 5T30-C | Compacted Rock, Abrasive, No Impact | .4 | 140012 |
| 5T30-HF | Rock, High Impact | .5 | 140014 |
| RB-36L C | Abrasive, Frozen | .7 | 140021 |
| RB-56 | | 1.4 | 140022 |
| RB-58C GAGE | | 1.2 | 140015 |
| RB5T-30 | | .4 | 140013 |

Due to varying manufacturing tolerances RubRLok may be necessary to obtain the correct fit.

PARTS | HOLDERS



T-35 and T-36

Cast alloy steel holders used with 35 series teeth can upgrade or repair any brand of auger.

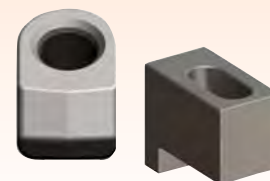
| ITEM | LBS. | PART NO. |
|---------------|------|----------|
| T-35 Angled | 1 | 171221 |
| T-36 Straight | .5 | 171231 |



P-10 and H-10

Cast alloy steel holders used with Rock Ripper, BoRH, and CB-10 Teeth.

| ITEM | LBS. | PART NO. |
|------|------|----------|
| P-10 | .8 | 990043 |
| H-10 | .3 | 157025 |



TOOLS

| ITEM | LBS. | PART NO. |
|-------------|------|----------|
| SOFT HAMMER | 3.5 | 137737 |
| DRIFT PUNCH | .8 | 137750 |
| RUBR-LOK | .1 | 137601 |





PARTS | HUBS and HUB ADAPTERS

HEX HUBS

Cast alloy hubs used to upgrade or repair any brand of auger.



SQUARE HUBS

Cast alloy hubs used to upgrade or repair any brand of auger.



ROUND HUBS

Cast alloy hubs used to upgrade or repair any brand of auger.



| ITEM | SIZE | LBS. | PART NO. |
|---------|----------------|------|----------|
| RH-1375 | 1 3/8" | | 133156 |
| RH-812 | 13/16" | .6 | 153955 |
| RH-1625 | 1 5/8" | 3.1 | 153958 |
| H-200U | 2" UNIVERSAL | 10.5 | 154121 |
| H-250 | 2 1/2" SLOTTED | 19.7 | 154141 |
| H-262 | 2 5/8" SLOTTED | 17.6 | 154151 |

| ITEM | SIZE | LBS. | PART NO. |
|---------|------------|------|----------|
| OMA | 1" | | 137298 |
| PDB-525 | 1" SLOT | | 153906 |
| 7/8" | GROUND HOG | .6 | 153964 |

| ITEM | SIZE | LBS. | PART NO. |
|-------|------------|------|----------|
| | 1" GENERAL | 1.4 | 153967 |
| R-200 | 2" CAST | 5.2 | 154080 |
| R-256 | UNIVERSAL | 9.5 | 154115 |

DRIVELUGS

Cast alloy drivelugs used with screw bits can upgrade or repair any brand of auger.



| ITEM | DESCRIPTION | APPLICATION | LBS. | PART NO. |
|--------|-----------------------------|-------------------------------|------|----------|
| 140-CS | Weld-On Drivelug | SB-25, SB-30 Bits | 1 | 151930 |
| 140-S | Weld-On Drivelug Short | SB-25, SB-30 Bits | .5 | 151940 |
| 141-L | | | 1.3 | 151970 |
| 141-R | Weld-On Drivelug Short | SB-35, SB-45 Bits, P-35 Pilot | 1 | 151956 |
| 141-MT | 1-1/4"-7 NC Thread Drivelug | SB-35, SB-45 Bits, P-35 Pilot | 1.3 | 151960 |
| MF-MM | Pilot Extension | Lengthen SB-35, SB-45 | 2.2 | 151020 |

DRIVE PINS



| ITEM | LBS. | PART NO. |
|------|------|----------|
| DP-2 | .1 | 157779 |
| DP-3 | .1 | 157780 |
| DP-4 | .3 | 157781 |
| DP-5 | .5 | 157782 |

PINS



| ITEM | LBS. | PART NO. |
|----------|------|----------|
| P-10 Pin | .1 | 137610 |

HEX FEMALE



ROUND MALE

FEMALE HEX ADAPTERS

| ITEM | LBS. | PART NO. |
|-----------------|------|----------|
| H-200F X R256M | | 134211 |
| H-200F X R-200M | 14 | 557156 |
| H-250F X H-200M | 30 | 132419 |
| H-225F X H-200M | 20 | 557159 |

FEMALE SQUARE ADAPTERS

| ITEM | LBS. | PART NO. |
|-----------------|------|----------|
| S-250F X S-300M | 41 | 133914 |

FEMALE ROUND ADAPTERS

| ITEM | LBS. | PART NO. |
|-----------------|------|----------|
| R-100F X R-7/8M | | 133305 |
| R-100F X S-7/8M | | 133304 |
| R-200F X H-200M | 13 | 132804 |
| R-200F X H-225M | 13 | 132805 |
| R-200F X R-256M | 15 | 134210 |
| R-256F X H-250M | 21 | 133906 |
| R-256F X R-200M | 13 | 132068 |
| R-256F X S-200M | 19 | 557155 |
| R-256XH-200M | 18 | 557153 |

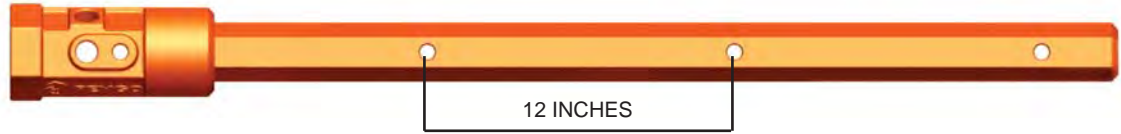
More adapters available. Contact customer service for more information.



PARTS | EXTENSIONS

CS TELESCOPING

For adapting
PENGO
Standard Auger
to any hand held
earth drill.



| ITEM | LBS. | PART NO. |
|---------------------------|------|----------|
| G-1.00R X 24 GENERAL | | 557091 |
| G-1.375HX24 GENERAL | | 557092 |
| LB-1.25SX24 LIT BEAVER | | 557093 |
| GH-.875SX24 GROUND HOG | | 557094 |
| PC-1.31R X12 PENGO COLLAR | | 557095 |
| PC-1.687RX24 PENGO COLLAR | | 557096 |
| PC-1.687RX36 PENGO COLLAR | | 557097 |

NOTE: Augers used with CS Extensions must be ordered with PENGO's CS collar (part no. 158065).

2" HEX TELESCOPING

| ITEM | LBS. | PART NO. |
|------------------|------|----------|
| HE20-12 STANDARD | 22 | 557142 |
| HE20-24 STANDARD | 34 | 557143 |
| HE20-36 STANDARD | 46 | 557144 |
| HE20-48 STANDARD | 58 | 557145 |
| HE20-60 STANDARD | 70 | 557146 |
| HE20-72 STANDARD | 82 | 557147 |

2 9/16" ROUND FIXED



| ITEM | LBS. | PART NO. |
|-------------------|------|----------|
| RE25-12 STD FIXED | 20 | 134203 |
| RE25-24 STD FIXED | 31 | 134204 |
| RE25-36 STD FIXED | 40 | 134205 |
| RE25-48 STD FIXED | 50 | 134206 |
| RE25-60 STD FIXED | 61 | 134207 |
| RE25-72 STD FIXED | 72 | 134208 |

2" ROUND FIXED

| ITEM | LBS. | PART NO. |
|---------|------|----------|
| RE20-12 | | 557176 |
| RE20-72 | | 557177 |
| RE20-24 | | 557178 |
| RE20-36 | | 557174 |
| RE20-48 | | 557179 |

EXTENSION BARS

| ITEM | LBS. | PART NO. |
|----------------------------|------|----------|
| 2" HEX X 72" STD HOLES | | 137570 |
| 2-5/8" HEX X 72" STD HOLES | | 137572 |
| H-250 X 72" STD HOLES | | 137571 |
| H-200 X 72" HEX BAR | | 151125 |
| H-225 X 72" HEX BAR | | 151126 |
| H-250 X 72" HEX BAR | | 151127 |
| H-262 X 72" HEX BAR | | 151128 |

ADJUSTABLE EXTENSION SHAFT

| ITEM | LBS. | PART NO. |
|--------------------|------|----------|
| SA24-256 EXT SHAFT | | 134668 |

FOUNDATION

PRODUCT CATALOG

FOUNDATION



LET'S BREAK
GROUND
TOGETHER



www.pengoattachments.com | 800.599.0211

powerful construction attachments

Foundation Tooling and ACP



Foundation Rock Double Row

The Foundation Rock is for use in fracturable and semi-flat rock conditions. The hard-faced flight edges are tough enough to penetrate through your hardest rock conditions.

These augers are shipped with the new STRATA Series Conical Teeth.

Remember to ask for the STRATA SR100 when ordering replacement teeth to maintain optimum performance.

| OD | APPROX OAL | TYPE | HUB OPTIONS | CTR SHAFT |
|---------|------------|-------|--------------|-----------|
| 18"-24" | 50.5" | DC/DC | 2.5 Sq-130mm | 4" x 1" |
| 30"-60" | 56" | DC/DC | 2.5 Sq-130mm | 6" x 1" |

| OD | FLIGHT THK LEAD | FLIGHT THK CARRY | HOLDERS | TEETH | PILOT BIT |
|---------|-----------------|------------------|---------|-------|-----------|
| 18"-24" | 1" - A36 | 1" - A36 | P30 | SR100 | C-31HD |
| 30"-60" | 1" - A36 | 1" - A36 | P30 | SR100 | C-31HD |

OAL WILL VARY BASED ON HUB AND PILOT.

| DESCRIPTION | SUB PART NO. | APPROX LBS | S-250 | S-300 | S-350 | S-400 | 130MM |
|----------------|--------------|------------|-------|-------|-------|---------|---------|
| 18 ROCK DBL 1" | 1000000 | | | | | 1000008 | 1000423 |
| 24 ROCK DBL 1" | 1000001 | | | | | 1000009 | 1000424 |
| 30 ROCK DBL 1" | 1000002 | | | | | 1000010 | 1000425 |
| 36 ROCK DBL 1" | 1000003 | | | | | 1000011 | 1000426 |
| 42 ROCK DBL 1" | 1000004 | | | | | 1000012 | 1000427 |
| 48 ROCK DBL 1" | 1000005 | | | | | 1000013 | 1000428 |
| 54 ROCK DBL 1" | 1000006 | | | | | 1000014 | 1000429 |
| 60 ROCK DBL 1" | 1000007 | | | | | 1000015 | 1000430 |

Foundation Rock Single Row | 1" Thick Flight

The Foundation Rock is for use in fracturable and semi-flat rock conditions. The hard-faced flight edges are tough enough to penetrate through your hardest rock conditions.

These augers are shipped with the new STRATA Series Conical Teeth. Remember to ask for the STRATA SR100 when ordering replacement teeth to maintain optimum performance.



| OD | APPROX OAL | TYPE | HUB OPTIONS | CENTER SHAFT |
|---------|------------|-------|--------------|--------------|
| 14"-24" | 50.5" | DC/DC | 2.5 Sq-130mm | 4" x 1" |
| 30"-72" | 56" | DC/DC | 2.5 Sq-130mm | 6" x 1" |
| 84"-96" | 56" | DC/DC | 2.5 Sq-130mm | 8" x 1" |

| OD | FLIGHT THK LEAD | FLIGHT THK CARRY | HOLDERS | TEETH | PILOT BIT |
|---------|-----------------|------------------|---------|-------|-----------|
| 14"-24" | 1"-A36 | 1"-A36 | P30 | SR100 | C-31 |
| 30"-72" | 1"-A36 | 1"-A36 | P30 | SR100 | C-31 |
| 84"-96" | 1"-A36 | 1"-A36 | P30 | SR100 | C-31 |

OAL WILL VARY BASED ON HUB AND PILOT.

| DESCRIPTION | SUB PART NO. | APPROX LBS | S-250 | S-300 | S-350 | S-400 | 130MM |
|-------------|--------------|------------|-------|---------|---------|---------|---------|
| 14 ROCK 1" | 1000116 | | | | 1000344 | 1000118 | |
| 16 ROCK 1" | 1000117 | | | | 1000345 | 1000119 | |
| 18 ROCK 1" | 1000035 | | | 1000053 | 1000335 | 1000044 | 1000062 |
| 24 ROCK 1" | 1000036 | | | 1000054 | 1000336 | 1000045 | 1000063 |
| 30 ROCK 1" | 1000037 | | | 1000055 | 1000337 | 1000046 | 1000064 |
| 36 ROCK 1" | 1000038 | | | 1000056 | 1000338 | 1000047 | 1000065 |
| 42 ROCK 1" | 1000039 | | | 1000057 | 1000339 | 1000048 | 1000066 |
| 48 ROCK 1" | 1000040 | | | 1000058 | 1000340 | 1000049 | 1000067 |
| 54 ROCK 1" | 1000041 | | | 1000059 | 1000341 | 1000050 | 1000068 |
| 60 ROCK 1" | 1000042 | | | 1000060 | 1000342 | 1000051 | 1000069 |
| 72 ROCK 1" | 1000043 | | | 1000061 | 1000343 | 1000052 | 1000070 |
| 84 ROCK 1" | 1000229 | | | | | | |
| 96 ROCK 1" | 1000230 | | | | | | |



Foundation Rock Single Row | 1 1/2" Thick Flight

The Foundation Rock is for use in fracturable and semi-flat rock conditions. The hard-faced flight edges are tough enough to penetrate through your hardest rock conditions. These augers are shipped with the new STRATA Series Conical Teeth. Remember to ask for the STRATA SR104 when ordering replacement teeth to maintain optimum performance.

| OD | APPROX OAL | TYPE | HUB OPTIONS | CENTER SHAFT |
|---------|------------|-------|-------------|--------------|
| 14"-24" | 52" | DC/DC | 130mm-200mm | 6" x 1" |
| 30"-72" | 56" | DC/DC | 130mm-200mm | 8" x 1" |
| 84"-96" | 56" | DC/DC | 130mm-200mm | 10" x 1" |

| OD | FLIGHT THK LEAD | FLIGHT THK CARRY | HOLDERS | TEETH | PILOT BIT |
|---------|-----------------|------------------|---------|-------|-----------|
| 14"-24" | 1 1/2"-A36 | 1 1/2"-A36 | P4 | SR104 | B47 |
| 30"-72" | 1 1/2"-A36 | 1 1/2"-A36 | P4 | SR104 | B47 |
| 84"-96" | 1 1/2"-A36 | 1 1/2"-A36 | P4 | SR104 | B47 |

OAL WILL VARY BASED ON HUB AND PILOT.

| DESCRIPTION | SUB PART NO. | APPROX LBS | 130MM | 150MM | 177MM | 200MM |
|----------------|--------------|------------|---------|---------|---------|---------|
| 14 ROCK 1-1/2" | | | | | | |
| 16 ROCK 1-1/2" | | | | | | |
| 18 ROCK 1-1/2" | 1000130 | | 1000383 | 1000372 | 1000396 | 1000141 |
| 24 ROCK 1-1/2" | 1000131 | | 1000384 | 1000373 | 1000397 | 1000142 |
| 30 ROCK 1-1/2" | 1000132 | | 1000385 | 1000374 | 1000398 | 1000143 |
| 36 ROCK 1-1/2" | 1000133 | | 1000386 | 1000375 | 1000399 | 1000144 |
| 42 ROCK 1-1/2" | 1000134 | | 1000387 | 1000376 | 1000400 | 1000145 |
| 48 ROCK 1-1/2" | 1000135 | | 1000388 | 1000377 | 1000401 | 1000146 |
| 54 ROCK 1-1/2" | 1000136 | | 1000389 | 1000378 | 1000402 | 1000147 |
| 60 ROCK 1-1/2" | 1000137 | | 1000390 | 1000379 | 1000403 | 1000148 |
| 72 ROCK 1-1/2" | 1000138 | | 1000391 | 1000380 | 1000404 | 1000149 |
| 84 ROCK 1-1/2" | 1000139 | | 1000392 | 1000381 | 1000405 | 1000150 |
| 96 ROCK 1-1/2" | 1000140 | | 1000393 | 1000382 | 1000406 | 1000151 |

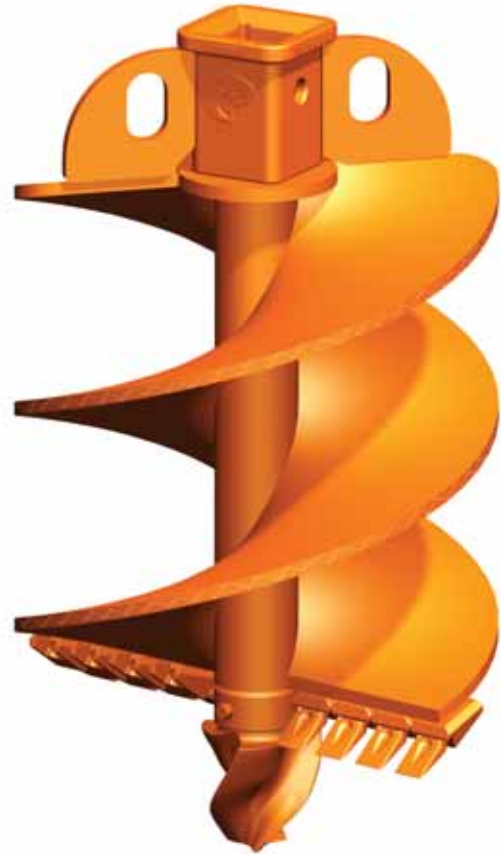
Foundation Dirt 1" Thick Flight

Use the PENGO foundation Dirt in soft rock formations, sand, soil and clay. These dirt heads come with, a hard-faced carry section, and the patented TriFlow® pilot.

| OD | APPROX OAL | TYPE | HUB OPTIONS | CENTER SHAFT |
|---------|------------|-------|--------------|--------------|
| 14"-24" | 49" | DC/DC | 2.5 Sq-130mm | 4" x 1" |
| 30"-72" | 58.5" | DC/DC | 2.5 Sq-130mm | 6" x 1" |
| 84"-96" | 58.5" | DC/DC | 2.5 Sq-130mm | 8" x 1" |

| OD | FLIGHT THK LEAD | FLIGHT THK CARRY | HOLDERS | TEETH | PILOT BIT |
|---------|-----------------|------------------|---------|---------|-----------|
| 14"-24" | 1"-A36 | 1"-A36 | WO-5 | 201/211 | TF-600 |
| 30"-72" | 1"-A36 | 1"-A36 | WO-5 | 201/211 | TF-1000 |
| 84"-96" | 1"-A36 | 1"-A36 | WO-5 | 201/211 | TF-1000 |

OAL WILL VARY BASED ON HUB AND PILOT.



| DESCRIPTION | SUB PART NO. | APPROX LBS | S-250 | S-300 | S-350 | S-400 | 130MM |
|----------------|--------------|------------|-------|-------|-------|---------|---------|
| 14 DIRT 1" WO5 | | | | | | | |
| 16 DIRT 1" WO5 | | | | | | | |
| 18 DIRT 1" WO5 | 1000071 | | | | | 1000106 | 1000152 |
| 24 DIRT 1" WO5 | 1000072 | | | | | 1000107 | 1000153 |
| 30 DIRT 1" WO5 | 1000073 | | | | | 1000108 | 1000154 |
| 36 DIRT 1" WO5 | 1000074 | | | | | 1000109 | 1000155 |
| 42 DIRT 1" WO5 | 1000075 | | | | | 1000110 | 1000156 |
| 48 DIRT 1" WO5 | 1000076 | | | | | 1000111 | 1000157 |
| 54 DIRT 1" WO5 | 1000077 | | | | | 1000113 | 1000158 |
| 60 DIRT 1" WO5 | 1000078 | | | | | | 1000159 |
| 72 DIRT 1" WO5 | 1000231 | | | | | | |
| 84 DIRT 1" WO5 | 1000232 | | | | | | |
| 96 DIRT 1" WO5 | 1000233 | | | | | | |



Foundation Dirt 1" Thick Flight

Use the PENGO foundation Dirt in soft rock formations, sand, soil and clay. These dirt heads come with, a hard-faced carry section, and the patented TriFlow® pilot.

| OD | APPROX OAL | TYPE | HUB OPTIONS | CENTER SHAFT |
|---------|------------|-------|--------------|--------------|
| 14"-24" | 49" | SC/SC | 2.5 Sq-130mm | 4" x 1" |
| 30"-72" | 58.5" | SC/SC | 2.5 Sq-130mm | 6" x 1" |
| 84"-96" | 58.5" | SC/SC | 2.5 Sq-130mm | 8" x 1" |

| OD | FLIGHT THK LEAD | FLIGHT THK CARRY | HOLDERS | TEETH | PILOT BIT |
|---------|-----------------|------------------|---------|---------|-----------|
| 14"-24" | 1"-A36 | 1"-A36 | WO-5 | 201/211 | TF-600 |
| 30"-72" | 1"-A36 | 1"-A36 | WO-5 | 201/211 | TF-1000 |
| 84"-96" | 1"-A36 | 1"-A36 | WO-5 | 201/211 | TF-1000 |

OAL WILL VARY BASED ON HUB AND PILOT.

| DESCRIPTION | SUB PART NO. | APPROX LBS | S-250 | S-300 | S-350 | S-400 | 130MM |
|----------------|--------------|------------|-------|-------|-------|-------|-------|
| 14 DIRT 1" WO5 | | | | | | | |
| 16 DIRT 1" WO5 | | | | | | | |
| 18 DIRT 1" WO5 | 1000252 | | | | | | |
| 24 DIRT 1" WO5 | 1000253 | | | | | | |
| 30 DIRT 1" WO5 | 1000254 | | | | | | |
| 36 DIRT 1" WO5 | 1000255 | | | | | | |
| 42 DIRT 1" WO5 | 1000256 | | | | | | |
| 48 DIRT 1" WO5 | 1000257 | | | | | | |
| 54 DIRT 1" WO5 | 1000258 | | | | | | |
| 60 DIRT 1" WO5 | 1000259 | | | | | | |
| 72 DIRT 1" WO5 | 1000260 | | | | | | |
| 84 DIRT 1" WO5 | 1000261 | | | | | | |
| 96 DIRT 1" WO5 | 1000262 | | | | | | |

Foundation Dirt 1 1/2" Thick Flight

Use the PENGO foundation Dirt in soft rock formations, sand, soil and clay. These dirt heads come with, a hard-faced carry section, and the patented TriFlow® pilot.



| OD | APPROX OAL | TYPE | HUB OPTIONS | CENTER SHAFT |
|----------|------------|-------|-------------|--------------|
| 18"-24" | 43.5" | DC/DC | 3" Sq-200mm | 6" x 1" |
| 30"-96" | 58" | DC/DC | 3" Sq-200mm | 8" x 1" |
| 96"-120" | 59" | DC/DC | 130mm-200mm | 10" x 1" |

| OD | FLIGHT THK LEAD | FLIGHT THK CARRY | HOLDERS | TEETH | PILOT BIT |
|----------|-----------------|------------------|---------|---------|-----------|
| 18"-24" | 1 1/2"-A36 | 1 1/2"-A36 | WO-8 | 201/211 | TF-600 |
| 30"-96" | 1 1/2"-A36 | 1 1/2"-A36 | WO-8 | 201/211 | TF-1000 |
| 96"-120" | 1 1/2"-A36 | 1 1/2"-A36 | WO-8 | 201/211 | TF-1000 |

OAL WILL VARY BASED ON HUB AND PILOT.

| DESCRIPTION | SUB PART NO. | APPROX LBS | S-300 | S-350 | S-400 | 130MM | 150MM | 177MM | 200MM |
|-----------------|--------------|------------|-------|-------|-------|-------|-------|---------|---------|
| 18 DIRT 1 1/2" | 1000263 | | | | | | | 1000361 | 1000296 |
| 24 DIRT 1 1/2" | 1000264 | | | | | | | 1000362 | 1000297 |
| 30 DIRT 1 1/2" | 1000265 | | | | | | | 1000363 | 1000298 |
| 36 DIRT 1 1/2" | 1000266 | | | | | | | 1000364 | 1000299 |
| 42 DIRT 1 1/2" | 1000267 | | | | | | | 1000365 | 1000300 |
| 48 DIRT 1 1/2" | 1000268 | | | | | | | 1000366 | 1000301 |
| 54 DIRT 1 1/2" | 1000269 | | | | | | | 1000367 | 1000302 |
| 60 DIRT 1 1/2" | 1000270 | | | | | | | 1000368 | 1000303 |
| 72 DIRT 1 1/2" | 1000271 | | | | | | | 1000369 | 1000304 |
| 84 DIRT 1 1/2" | 1000272 | | | | | | | 1000370 | 1000305 |
| 96 DIRT 1 1/2" | 1000273 | | | | | | | 1000371 | 1000306 |
| 108 DIRT 1 1/2" | | | | | | | | | |
| 120 DIRT 1 1/2" | | | | | | | | | |



Foundation Dirt 1 1/2" Thick Flight

Use the PENGO foundation Dirt in soft rock formations, sand, soil and clay. These dirt heads come with, a hard-faced carry section, and the patented TriFlow® pilot.

| OD | APPROX OAL | TYPE | HUB OPTIONS | CENTER SHAFT |
|----------|------------|-------|-------------|--------------|
| 18"-24" | 43.5" | SC/SC | 3" Sq-200mm | 6" x 1" |
| 30"-96" | 58" | SC/SC | 3" Sq-200mm | 8" x 1" |
| 96"-120" | 59" | SC/SC | 130mm-200mm | 10" x 1" |

| OD | FLIGHT THK LEAD | FLIGHT THK CARRY | HOLDERS | TEETH | PILOT BIT |
|----------|-----------------|------------------|---------|---------|-----------|
| 18"-24" | 1 1/2"-A36 | 1 1/2"-A36 | WO-8 | 201/211 | TF-600 |
| 30"-96" | 1 1/2"-A36 | 1 1/2"-A36 | WO-8 | 201/211 | TF-1000 |
| 96"-120" | 1 1/2"-A36 | 1 1/2"-A36 | WO-8 | 201/211 | TF-1000 |

OAL WILL VARY BASED ON HUB AND PILOT.

| DESCRIPTION | SUB PART NO. | APPROX LBS | S-300 | S-350 | S-400 | 130MM | 150MM | 177MM | 200MM |
|-----------------|--------------|------------|-------|-------|-------|-------|---------|-------|-------|
| 18 DIRT 1 1/2" | 1000274 | | | | | | 1000450 | | |
| 24 DIRT 1 1/2" | 1000275 | | | | | | 1000452 | | |
| 30 DIRT 1 1/2" | 1000276 | | | | | | 1000453 | | |
| 36 DIRT 1 1/2" | 1000277 | | | | | | 1000454 | | |
| 42 DIRT 1 1/2" | 1000278 | | | | | | 1000455 | | |
| 48 DIRT 1 1/2" | 1000279 | | | | | | 1000456 | | |
| 54 DIRT 1 1/2" | 1000280 | | | | | | 1000457 | | |
| 60 DIRT 1 1/2" | 1000281 | | | | | | 1000458 | | |
| 72 DIRT 1 1/2" | 1000282 | | | | | | 1000460 | | |
| 84 DIRT 1 1/2" | 1000283 | | | | | | 1000461 | | |
| 96 DIRT 1 1/2" | 1000284 | | | | | | 1000462 | | |
| 108 DIRT 1 1/2" | | | | | | | | | |
| 120 DIRT 1 1/2" | | | | | | | | | |

Foundation 1 1/2" Spiral Rock Auger

The PENGO Spiral Rock Auger is for use in fracturable rock drilling conditions. These augers are shipped with the new STRATA Series Conical Teeth. Remember to ask for the STRATA SR104 when ordering replacement teeth to maintain optimum performance.



| OD | APPROX OAL | TYPE | HUB OPTIONS | CENTER SHAFT |
|---------|------------|--------|-------------|--------------|
| 18"-96" | 46.5" | SPIRAL | 130mm-200mm | 8" x 1" |

| OD | FLIGHT THK LEAD | FLIGHT THK CARRY | HOLDERS | TEETH | PILOT BIT |
|---------|-----------------|------------------|---------|-------|-----------|
| 18"-96" | 1 1/2"-A36 | 1 1/2"-A36 | P4 | SR104 | B47 |

OAL WILL VARY BASED ON HUB AND PILOT.

| DESCRIPTION | SUB PART NO. | APPROX LBS | 130MM | 150MM | 177MM | 200MM |
|---------------------|--------------|------------|---------|---------|---------|---------|
| 18 ROCK SPRL 1-1/2" | | | | | | 1000141 |
| 24 ROCK SPRL 1-1/2" | | | | 1000463 | 1000440 | 1000142 |
| 30 ROCK SPRL 1-1/2" | 1000087 | | 1000092 | 1000464 | 1000441 | 1000143 |
| 36 ROCK SPRL 1-1/2" | 1000088 | | 1000093 | 1000465 | 1000442 | 1000144 |
| 42 ROCK SPRL 1-1/2" | 1000089 | | 1000094 | 1000466 | 1000443 | 1000145 |
| 48 ROCK SPRL 1-1/2" | 1000090 | | 1000095 | 1000467 | 1000444 | 1000146 |
| 54 ROCK SPRL 1-1/2" | | | | | | 1000144 |
| 60 ROCK SPRL 1-1/2" | 1000091 | | 1000096 | 1000468 | 1000445 | 1000148 |
| 72 ROCK SPRL 1-1/2" | 1000220 | | 1000223 | 1000469 | 1000446 | 1000149 |
| 84 ROCK SPRL 1-1/2" | 1000221 | | 1000224 | 1000470 | 1000447 | 1000150 |
| 96 ROCK SPRL 1-1/2" | 1000222 | | 1000225 | 1000471 | 1000448 | 1000151 |



Core Barrel Assemblies

The PENGO® Core Barrels are for use in hard rock conditions.

| OD | APPOX OAL | HUB OPTIONS | WALL | HOLDERS | TEETH |
|---------|-----------|-------------|------|---------|-------|
| 24"-96" | 40" | S-300-200mm | 3/4" | P-30F | SR100 |

OAL WILL VARY BASED ON HUB.

Standard Wear Pads



PF30 Holder

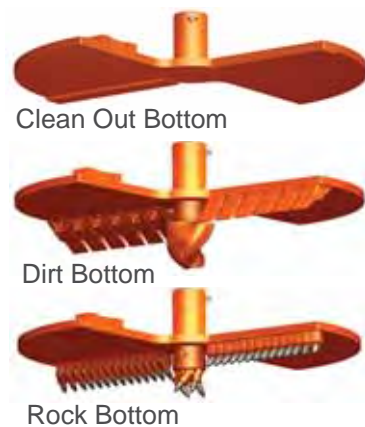


The P30F Holder is designed specifically for the Pengo Core Barrels.

| DESCRIPTION | SUB PART NO. | APPX LBS | S-300 | S-350 | S-400 | 130MM | 150MM | 177MM | 200MM |
|--------------------|--------------|----------|-------|-------|-------|---------|-------|-------|-------|
| 24 CORE BARREL SUB | 1000165 | | | | | 1000208 | | | |
| 30 CORE BARREL SUB | 1000166 | | | | | 1000209 | | | |
| 36 CORE BARREL SUB | 1000167 | | | | | 1000210 | | | |
| 42 CORE BARREL SUB | 1000168 | | | | | 1000211 | | | |
| 48 CORE BARREL SUB | 1000169 | | | | | 1000212 | | | |
| 54 CORE BARREL SUB | 1000170 | | | | | 1000213 | | | |
| 60 CORE BARREL SUB | 1000171 | | | | | 1000214 | | | |
| 72 CORE BARREL SUB | 1000172 | | | | | 1000215 | | | |
| 84 CORE BARREL SUB | 1000173 | | | | | 1000216 | | | |
| 96 CORE BARREL SUB | 1000174 | | | | | 1000217 | | | |

Combo Drilling Bucket

The versatile Pengo Combo Bucket can be used for drilling or cleaning. Its three interchangeable drill bottoms can be used in rock or dirt conditions as well as for clean-out.



| OD | OAL | HUBS | WALL |
|---------|-----|-------------|------|
| 18"-96" | 48" | S-300-200mm | 3/4" |

| HOLDERS | TEETH | PILOT BIT |
|-------------|------------------------|-------------------|
| C30 WO-5 | SR100 201, 211, 299 | C-31HD TF-1000 |



Pan Auger

The PENGO® Pan is a shallow used in retrieving large rock and boulders out of a hole. There are no teeth or pilots. A 4" hardfaced flight guard is in place to keep rocks from rolling off the sides.

| FLIGHT TYPE | OAL | HUB OPTIONS | DIA. | FLIGHT GUARD |
|-------------|-----|-------------|---------------|--------------|
| Single | 30" | 130mm-200mm | 36", 48", 60" | 4" Tall |



Casing Rotator

The casing rotator is used to position casing into a hole being drilled in soils that may cave in if not properly prepared.

| SMALL ROTATOR | MEDIUM ROTATOR | LARGE ROTATOR |
|---------------|----------------|---------------|
| 24"-42" OD | 36"-60" OD | 60"-100" OD |

| HUB | SMALL P/N | MED. P/N | LARGE P/N |
|-------|-----------|----------|-----------|
| 130MM | 159293 | 159303 | 159313 |
| 150MM | 159292 | 159302 | 159312 |
| 177MM | 159291 | 159301 | 159311 |
| 200MM | 159290 | 159300 | 159310 |

Cast Rock Head Kits

Need a quick repair? Use the PENGO® Cast Head Kits. These heat-treated cast heads provide superior wear and performance and are field repairable with standard welding techniques.



| ITEM | NO. SR100 TEETH | PART NO. |
|----------|-----------------|----------|
| ROCK 16" | 8 | 752800 |
| ROCK 18" | 9 | 752801 |
| ROCK 20" | 11 | 752802 |
| ROCK 24" | 12 | 752803 |
| ROCK 30" | 17 | 752804 |
| ROCK 36" | 20 | 752805 |
| ROCK 42" | 24 | 752806 |
| ROCK 48" | 28 | 752807 |

| ITEM | NO. 2070 SERIES TEETH | PART NO. |
|-------------|-----------------------|----------|
| DIRT 16" | 4 | 752810 |
| DIRT 18" | 6 | 752811 |
| DIRT 20" | 6 | 752812 |
| DIRT 24" | 6 | 752813 |
| DIRT 30/36" | 6 | 752814 |
| DIRT 42/48" | 6 | 752815 |

INCLUDED IN KITS:
Cast Head, Pilot Bit, Teeth

Reamer Arm Kits

| ITEM | TEETH | PART NO. |
|---------|--------------|----------|
| 3" ROCK | B40 | 138320 |
| 6" ROCK | B40 | 138322 |
| 3" ROCK | B47 | 138324 |
| 6" ROCK | B47 | 138326 |
| 3" DIRT | 211 WO-8 | 138328 |
| 6" DIRT | 211/132 WO-8 | 138330 |



INCLUDED IN KIT:
2 Reamer Arm Assemblies
2 Reamer Mounting Brackets T 3-1/2"
(P/N 138308), 4 Reamer Mouning
Brackets S 2-5/8" (P/N 138390)

Reamer Arm Assemblies

| ITEM | TEETH | PART NO. |
|---------|--------------|----------|
| 3" ROCK | SR122 | 138294 |
| 6" ROCK | SR122 | 138295 |
| 3" ROCK | B40 | 138310 |
| 6" ROCK | B40 | 138312 |
| 3" DIRT | 211 WO-8 | 138288 |
| 6" DIRT | 211/132 WO-8 | 138289 |



PARTS | PILOT BITS, HUBS AND ADAPTERS

Pilot Bit Assemblies



B47-10

TF-1000

C31HD-8.5

| ITEM | NO. TEETH | LBS | PART NO. |
|----------------------|-----------|-----|----------|
| B47-10 4" SQ. STEM | 4 | 72 | 135965 |
| BA-B47HF 2.5 | 4 | | 135919 |
| C31HD-8.5 2.5 | 4 | 30 | 135913 |
| C31HD-8.5 HF 2.5 | 4 | 33 | 135939 |
| C31HD-8.5 HFCH 2.5 | 4 | 35 | 135912 |
| C4-1 HF 2.5 SQ.STEM | 4 | | 135971 |
| TRIFLOW® TF-1000 2.5 | NA | 45 | 137348 |
| TRIFLOW® TF-600 | NA | 8.5 | 137357 |
| TF-600 1 3/4" Sq. | NA | 16 | 137331 |

Pilot bit assemblies include the pilot bit, teeth, nut and bolt.

Square Hubs



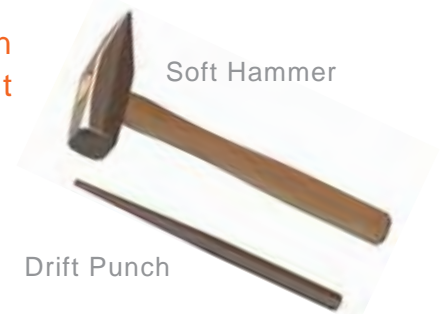
| ITEM | LBS | PART NO. |
|-----------------|-----|----------|
| S-200 2" SQ | 19 | 153990 |
| S-250 2-1/2" SQ | 21 | 154010 |
| S-300 3" SQ | 40 | 154020 |
| S-350 3-1/2" SQ | 53 | 154030 |
| S-400 4" SQ | 65 | 154050 |
| S-130MM | 79 | 154161 |
| S-150MM | 175 | 154162 |
| S-177MM | 205 | 154163 |
| S-200MM | 390 | 154164 |

Pilot Bit Adapters



| ITEM | LBS | PART NO. |
|------|-----|----------|
| S250 | 18 | 151598 |
| S400 | 43 | 135904 |

Foundation Component Tools



Soft Hammer

Drift Punch

| ITEM | LBS | PART NO. |
|-------------------|-----|----------|
| SH-85 SOFT HAMMER | 3.5 | 137737 |
| DRIFT PUNCH | 2 | 137750 |
| HORSESHOE NAIL | 1 | 137620 |
| P-10 ROLL PIN | .5 | 137610 |

Hub Adapters



| ITEM | PART NO. |
|-------------------|----------|
| 130MM F X H300M | 661284 |
| 130MM F X S-400 M | 159033 |
| 150MM F X S-400 M | 154109 |
| 177MM F X 130MM M | 136615 |
| 200MM F X 150MM M | 136680 |

PARTS | REPLACEMENT TEETH

Dirt Teeth



| ITEM | APPLICATION | WIDTH | HOLDERS | LBS | PART NO. |
|---------------------|------------------|--------|---------------------|-----|----------|
| 2070 DIRT | ORDINARY | 2-1/2" | WA-70, FA-70, 1ASR | 2.0 | 140002 |
| 2072 DIRT GAGE | ORDINARY DIGGING | | WA-70, FA-70 | 2.3 | 140000 |
| 2077 CARBIDE | HIGH ABRASION | 2-1/2" | WA-70, FA-70 | 2.3 | 140003 |
| 2078 CARBIDE GAGE | HIGH ABRASION | | WA-70, FA-70 | 2.4 | 140004 |
| 2079 CARBIDE | HIGH ABRASION | | WA-70, FA-70 | 3.3 | 140001 |
| 16R55 DIRT | ORDINARY DIGGING | 2" | B-256, C-355, E-555 | 1 | 140019 |
| 7R55 CARBIDE CHISEL | ABRASIVE SOILS | 7/8" | B-256, C-355, E-555 | 1 | 140018 |

Taper Fit Teeth



| ITEM | APPLICATION | WIDTH | HOLDER | LBS | PART NO. |
|----------------|------------------|---------|--------------------|-----|----------|
| 60 DIRT | ORDINARY DIGGING | 2-9/16" | WO-1 | 1 | 170006 |
| 60C CARBIDE | HIGH ABRASION | 2-9/16" | WO-1 | 2.3 | 170002 |
| 70 DIRT | ORDINARY DIGGING | 1-5/8" | WO-1 | 1 | 170020 |
| 70C CARBIDE | HIGH ABRASION | 1-5/8" | WO-1 | 1 | 170018 |
| 80 DIRT | ORDINARY DIGGING | 2-5/8" | WO-12 | 2 | 170008 |
| 80C CARBIDE | HIGH ABRASION | 2-5/8" | WO-12 | 2 | 170003 |
| 90P DIRT | ORDINARY DIGGING | 1-3/4" | WO-12 | 1.7 | 134855 |
| 90C CARBIDE | HIGH ABRASION | 1-3/4" | WO-12 | 1.7 | 170009 |
| 95P DIRT | ORDINARY DIGGING | 1-1/4" | WO-12 | 1.5 | 170015 |
| 95PC CARBIDE | HIGH ABRASION | 1-1/4" | WO-12 | 1.5 | 170017 |
| 132 DIRT | ORDINARY DIGGING | 3-1/2" | WO-5, WO5HDS | 2 | 134406 |
| 134 DIRT GAGE | ORDINARY DIGGING | 5" | WO-5, WO5HDS | 2 | 134411 |
| 201 DIRT | ORDINARY DIGGING | 2-1/2" | WO-5, WO5HDS | 2.1 | 170030 |
| 201C CARBIDE | HIGH ABRASION | 2-1/2" | WO-5, WO5HDS | 2.1 | 170029 |
| 211 DIRT | ORDINARY DIGGING | 3-3/8" | WO-5, WO5HDS | 2.9 | 170034 |
| 299 CARBIDE | HIGH ABRASION | 2-3/8" | WO-5, WO5HDS | 2.8 | 134659 |
| PFC-2 CARBIDE | HIGH ABRASION | 2-5/8" | WO-5, WO5HDS | 2.5 | 140112 |
| PFC-5 CARBIDE | HIGH ABRASION | 2-1/4" | PFC-5H | 1 | 140115 |
| SZ210 SUB ZERO | HIGH ABRASION | 2-7/8" | WO-5, WO5HDS, WO-8 | 2.5 | 170032 |
| SZ211 SUB ZERO | HIGH ABRASION | 3-3/16" | WO-5, WO5HDS, WO-8 | 3.5 | 170039 |

PARTS | REPLACEMENT TEETH AND HOLDERS

Conical Teeth



| DESCRIPTION | HOLDER | LBS | PART NO. |
|----------------|-----------|------|----------|
| S4-1 | | | 850038 |
| S-21 | P20 | .4 | 850025 |
| S-23 | P20 | .4 | 850033 |
| S-24 | P20 | .4 | 850029 |
| S-22 | P20 | 2.6 | 850039 |
| S31HD | | | 850037 |
| B40HDK 12 | D38/30H65 | 1.22 | 800236 |
| B47K 19-H | D38/30H65 | 2.6 | 800142 |
| B47K 19-LK80-H | D38/30H65 | 2.8 | 800143 |
| B47K 22-H | D38/30H65 | 2.6 | 800144 |
| BFZ 100 X 70/1 | | 2.8 | 800071 |

STRATA Conical Teeth



| DESCRIPTION | HOLDER | LBS | PART NO. |
|-------------|--------|-----|----------|
| SR100 | P30 | 1 | 850023 |
| SR104 | P4 | 2.6 | 850024 |
| SR122 | | 2.6 | 850034 |

Drag Style Teeth



| ITEM | APPLICATION | LBS | PART NO. |
|-------|------------------|-----|----------|
| CB-10 | DIRT, SAND, CLAY | .31 | 140055 |
| CU7 | DIRT, SAND, CLAY | .55 | 134084 |
| CU7L | DIRT, SAND, CLAY | .55 | 134083 |
| CJ-2 | DIRT, SAND, CLAY | .69 | 134098 |

Bullet Teeth Holders



| ITEM | LBS | PART NO. |
|-----------|------|----------|
| P30 | 1.3 | 990001 |
| P30F | 1.42 | 990082 |
| P4 | 3.65 | 990003 |
| P20 | | 990002 |
| S20HD | | 850007 |
| B48 | | 800072 |
| D38/30H65 | | 134928 |

Dirt / Carbide Teeth Holders



| ITEM | LBS | PART NO. |
|---------|------|----------|
| WA-70 | 2 | 158120 |
| FA-70 | 2.3 | 158110 |
| H-10 | 3.36 | 157025 |
| PFC-5H | 1.5 | 157027 |
| WO-1 | 1.5 | 171565 |
| WO-5 | 4.0 | 171575 |
| WO-5HDS | 4.5 | 171574 |
| WO-8 | 5.3 | 171577 |
| WO-12 | 2.6 | 171570 |
| CJ-2 | | |
| 1ASR | 2.4 | 156980 |
| B-256 | 2.5 | 155000 |
| C-355 | 3 | 155010 |
| E-555 | 2.5 | 154990 |



REVOLUTION DRIVES

Larger, more efficient gearboxes | Two-piece bail design, top section is removable for easy access to motor | Single-speed models have efficient Eaton motors | All two-speed models are automatic shift | Added cooling option for all two-speed models | All models have a crossover pressure relief system which protects the drive



The TruLink™ Torque Monitor system offers true torque readings that deliver a high degree of accuracy (+/- 2%) while providing the operator with real time data. TruLink™ records actual torque being applied to the helical pile, the installation angle and the depth. Unlike other torque monitoring systems available, TruLink isolates torque values only.

Downward and side load forces are omitted ensuring the data is clean.



| Part No. | Model | Connection | Speed Config. | Max Flow (gpm) | Max Pressure (psi) | Torque Low (ft/lbs) | Torque High (ft/lbs) | Speed (rpm) | Recommended Prime Mover | | | | | | | Excavator Size (metric tons) | |
|----------|--------|------------|---------------|----------------|--------------------|---------------------|----------------------|-------------|-------------------------|----------------------|-----------------|-------------------|----------------|---------------|-----------|------------------------------|-----------|
| | | | | | | | | | Power Pack | Compt Digger Derrick | Compt Excavator | Skid Steer Loader | Digger Derrick | Backhoe (TLB) | Excavator | | |
| 610171 | DS-2 | H-200 | Single | 25 | 3000 | 0 | 2356 | 65 | | ■ | ■ | ■ | | | | | 2T - 3T |
| 610267 | DS-2 | R-256 | Single | 25 | 3000 | 0 | 2356 | 65 | | ■ | ■ | ■ | | | | | 2T - 3T |
| 610172 | DS-3 | H-200 | Single | 25 | 3000 | 0 | 3859 | 40 | | ■ | ■ | ■ | | | | | 2T - 4T |
| 610173 | DT-5 | H-250 | Two | 40 | 3000 | 2465 | 4930 | 50 / 100 | | ■ | ■ | ■ | | ■ | | | 5T - 8T |
| 610174 | DT-15 | H-300 | Two | 50 | 3000 | 7738 | 15478 | 20 / 40 | | | | | ■ | ■ | ■ | | 17T - 25T |
| 610206 | RS-7X | H-200 | Single | 25 | 2500 | 0 | 7512 | 18 | ■ | | | | | | | | NA |
| 610207 | RS-7 | H-200 | Single | 25 | 2500 | 0 | 7512 | 18 | | ■ | ■ | ■ | | | | | 5T - 8T |
| 610057 | RS-12 | H-250 | Single | 40 | 3000 | 0 | 13014 | 18 | | | ■ | ■ | ■ | ■ | | | 11T - 17T |
| 610058 | RT-9 | H-250 | Two | 50 | 3000 | 4925 | 9850 | 31 / 63 | | | ■ | ■ | ■ | ■ | | | 8T - 13T |
| 610059 | RT-12 | H-250 | Two | 50 | 3000 | 5753 | 12330 | 25 / 54 | | | ■ | ■ | ■ | ■ | | | 11T - 17T |
| 610060 | RT-20 | H-300 | Two | 50 | 3000 | 11331 | 22662 | 13 / 25 | | | | | | ■ | ■ | | 17T - 25T |
| 610061 | RT-30 | H-400 | Two | 50 | 3000 | 15234 | 30470 | 9 / 19 | | | | | | | ■ | | 20T - 30T |
| 610062 | RT-40 | 130mm Sq. | Two | 50 | 3000 | 19757 | 39514 | 7 / 15 | | | | | | | ■ | | 20T - 30T |
| 610063 | RV-70 | 150mm Sq. | Var | 100 | 3500 | 35606 | 71243 | 11 / 22 | | | | | | | ■ | | 30T - 40T |
| 610064 | RV-100 | 177mm Sq. | Var | 100 | 3500 | 52980 | 105960 | 8 / 14 | | | | | | | ■ | | 60T - 90T |
| 610065 | RV-140 | 177mm Sq. | Var | 100 | 3500 | 72192 | 144384 | 5 / 10 | | | | | | | ■ | | 90T |
| 610066 | RV-200 | 200mm Sq. | Var | 100 | 3500 | 103347 | 206694 | 4 / 7 | | | | | | | ■ | | 90T |

CONNECTION SIZES: H-200 = 2" Hex, R-256 = 2 9/16" Round, H-250 = 2 1/2" Hex, H-300 = 3" Hex, H-400 = 4" Hex,

Disclaimer:

Output speed and torque specifications are NOT listed at 100% efficiency. Maximum efficiencies have been applied to the torque and speed charts according to the manufacturers recommendations. Speed and torque output are dependant on the overall system efficiencies associated with the prime movers hydraulic system. When the purchaser is determining criteria for specific applications please contact Pengo. Pengo has made every attempt to present accurate and suitable information published on this document. This document should be used for information and comparative purposed only. When application specific information is required, please contact Pengo.

Pengo continually looks for new ways to improve its products. Therefore, Pengo reserves the right to make changes to our products and specifications without notice.

DRIVES & EXCAVATORS

PRODUCT CATALOG



DRIVES

**LET'S BR
BREAK
GROUND
TOGETHER**



www.pengoattachments.com | 800.599.0211

powerful construction attachments

Revolution Drives and Excavator Augers



DRIVE SELECTION GUIDE

PENGO's Revolution Series Drives are designed to outfit several different types of equipment. This selection guide will assist you in selection the right model for your equipment type.

DRILLING DRIVE "D" SERIES

Designed for Drilling Applications

| Part No. | Model | Connection | Speed Config. | Max Flow (gpm) | Max Pressure (psi) | Torque Low (ft/lbs) | Torque High (ft/lbs) | Speed (rpm) | Recommended Prime Mover | | | | | | | Excavator Size (metric tons) | |
|----------|-------|------------|---------------|----------------|--------------------|---------------------|----------------------|-------------|-------------------------|---------------------|-----------------|-------------------|----------------|---------------|-----------|------------------------------|-----------|
| | | | | | | | | | Power Pack | Cmpt Digger Derrick | Compt Excavator | Skid Steer Loader | Digger Derrick | Backhoe (TLB) | Excavator | | |
| 610171 | DS-2 | H-200 | Sngl | 25 | 3000 | 0 | 2356 | 65 | | ■ | ■ | ■ | | | | | 2T - 3T |
| 610267 | DS-2 | R-256 | Sngl | 25 | 3000 | 0 | 2356 | 65 | | ■ | ■ | ■ | | | | | 2T - 3T |
| 610172 | DS-3 | H-200 | Sngl | 25 | 3000 | 0 | 3859 | 40 | | ■ | ■ | ■ | | | | | 2T - 4T |
| 610173 | DT-5 | H-250 | Two | 40 | 3000 | 2465 | 4930 | 50 / 100 | | ■ | ■ | ■ | | ■ | | | 5T - 8T |
| 610174 | DT-15 | H-300 | Two | 50 | 3000 | 7738 | 15478 | 20 / 40 | | | | | ■ | ■ | ■ | | 17T - 25T |
| 610442 | DV-20 | H-300 | Var | 60 | 4000 | 13337 | 22507 | 24 / 40 | | | | | | ■ | ■ | | 17T - 25T |
| 610384 | DV-30 | S-400 | Var | 60 | 4000 | 13048 | 31661 | 18 / 41 | | | | | | | ■ | | 20T - 30T |
| 610385 | DV-40 | 130mm | Var | 60 | 4000 | 15683 | 38056 | 14 / 34 | | | | | | | ■ | | 20T - 30T |

ANCHOR DRIVE "R" SERIES

Designed for Anchor Installation Applications

| Part No. | Model | Connection | Speed Config. | Max Flow (gpm) | Max Pressure (psi) | Torque Low (ft/lbs) | Torque High (ft/lbs) | Speed (rpm) | Recommended Prime Mover | | | | | | | Excavator Size (metric tons) | |
|----------|--------|------------|---------------|----------------|--------------------|---------------------|----------------------|-------------|-------------------------|---------------------|-----------------|-------------------|----------------|---------------|-----------|------------------------------|-----------|
| | | | | | | | | | Power Pack | Cmpt Digger Derrick | Compt Excavator | Skid Steer Loader | Digger Derrick | Backhoe (TLB) | Excavator | | |
| 610206 | RS-7X | H-200 | Sngl | 25 | 2500 | 0 | 7512 | 18 | ■ | | | | | | | | NA |
| 610207 | RS-7 | H-200 | Sngl | 25 | 2500 | 0 | 7512 | 18 | | ■ | ■ | ■ | | | | | 5T - 8T |
| 610057 | RS-12 | H-250 | Sngl | 40 | 3000 | 0 | 13014 | 18 | | | ■ | ■ | ■ | ■ | | | 11T - 17T |
| 610058 | RT-9 | H-250 | Two | 50 | 3000 | 4925 | 9850 | 31 / 63 | | | ■ | ■ | ■ | ■ | | | 8T - 13T |
| 610059 | RT-12 | H-250 | Two | 50 | 3000 | 5753 | 12330 | 25 / 54 | | | ■ | ■ | ■ | ■ | | | 11T - 17T |
| 610060 | RT-20 | H-300 | Two | 50 | 3000 | 11331 | 22662 | 13 / 25 | | | | | | ■ | ■ | | 17T - 25T |
| 610061 | RT-30 | S-400 | Two | 50 | 3000 | 15234 | 30470 | 9 / 19 | | | | | | | ■ | | 20T - 30T |
| 610480 | RT-40 | 130mm | Two | 50 | 3000 | 19757 | 39514 | 7 / 15 | | | | | | | ■ | | 20T - 30T |
| 610063 | RV-70 | 150mm | Var | 150 | 3500 | 34547 | 69126 | 17 / 33 | | | | | | | ■ | | 30T - 40T |
| 610064 | RV-100 | 177mm | Var | 150 | 3500 | 55209 | 110418 | 10 / 20 | | | | | | | ■ | | 60T - 90T |
| 610065 | RV-140 | 177mm | Var | 150 | 3500 | 70326 | 140652 | 8 / 16 | | | | | | | ■ | | 90T |
| 610547 | RV-200 | 200mm | Var | 150 | 3500 | 105896 | 211794 | 5 / 10 | | | | | | | ■ | | 90T |

CONNECTIONS: H-200 = 2" Hex, R-256 = 2 9/16" Round, H-250 = 2 1/2" Hex, H-300 = 3" Hex, and S-400 = 4" Square, MM Hubs are Square



REVOLUTION SERIES™

FEATURES

- o Large highly efficient gearboxes, designed specifically for long duty cycles.
- o Standard cross-over pressure relief systems to protect the motor from pressure spikes.
- o Two piece bail housing design allows top section to be removed for easy motor access.
- o Single and Two speed models do not require drain lines.
- o All models are designed to be outfitted with PENGO's TruLink torque monitoring system.
- o All two speed models are equipped with a pressure activated auto shift feature.
- o **Accurate torque and speed specifications.** PENGO ensures that all torque and speed specifications have maximum efficiencies applied to provide the most accurate specifications possible. None of the specifications are listed at 100% theoretical values.

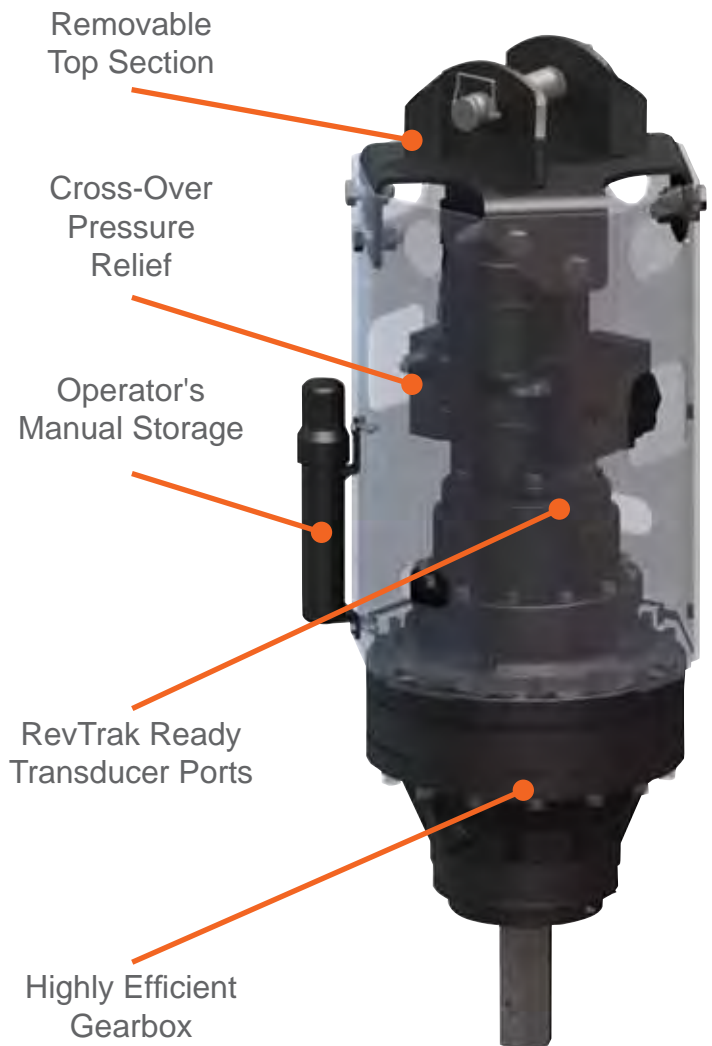
COMPLETE SYSTEM

PENGO offers a complete Drive package which includes:

- o Mounting Brackets for:
 - Skid Loaders
 - Backhoe Loaders
 - Excavators (Compact & Large)
- o Anchor drive tool adapters.
- o RevTrak digital torque monitoring system.

APPLICATIONS

- o **Anchoring:** The RS, RT and RV models are designed specifically for the anchor installation industry. The high torque and slow speed configuration is ideal for anchor applications.
- o **Drilling:** The DS, DT and DV series are ideal for various types of drilling applications. Torque ranges from 2,500 ft/lb to 40,000 ft/lb.





MS-100 | SINGLE SPEED

FEATURES

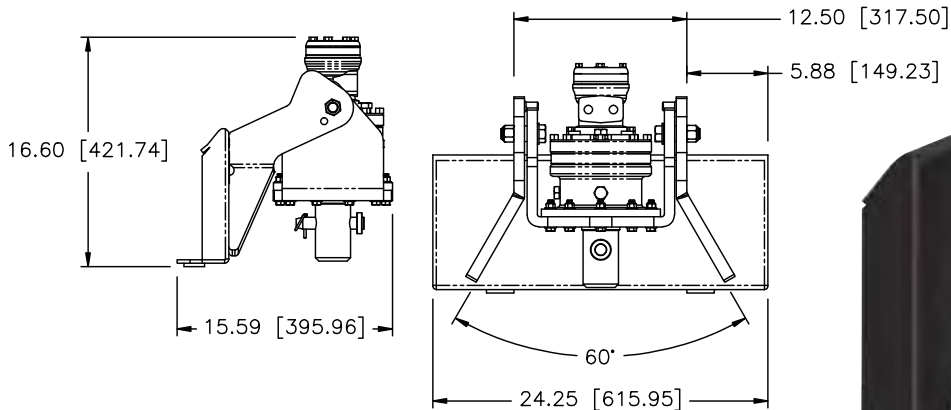
- Compact Size
- Universal Compact Skid Mount Included
- Hydraulic Hoses Included



| PART NO. | MODEL | CONNECTION | SWIVEL TYPE |
|----------|--------|------------|-------------|
| 700107 | MS-100 | R-256 | Single |
| 700302 | MS-100 | R-256 | Double |
| 700152 | MS-100 | H-200 | Single |
| 700312 | MS-100 | H-200 | Double |

ACCESSORIES

- 700215 Double Swivel Bracket Assy
151605 Pin Assy 7/8"



| TOTAL UNIT WEIGHT | 146 LBS / 66 Kg |
|-------------------------------|-----------------------------|
| HYDRAULIC MOTOR INFORMATION | |
| Displacement | 6.1 cu/in (100cc) |
| Motor Type | Single Speed Bi-Directional |
| Motor Output Shaft | 7/8" Spline 14T |
| Motor Mount | SAE - A 2 Bolt |
| Motor Ports | 1/2" BSP |
| Cross Over Pressure Relief | Not Equipped |
| PLANETARY GEARBOX INFORMATION | |
| Gearbox Type | Planetary Single Stage |
| Reduction Ratio | 5.77:1 |
| Output Shaft | 2" Hex or 2-9/16" Round |
| Oil Capacity | .31 Gallons |
| Oil Type | SAE 80W90 GL-5 |

| REFERENCE TORQUE CHART | | |
|------------------------|-----------------|--|
| Pressure PSI (Bar) | Torque (ft/lbs) | |
| 1600 (110) | 613 | |
| 1800 (124) | 689 | |
| 2000 (137) | 766 | |
| 2200 (151) | 842 | |
| 2400 (165) | 919 | |
| 2600 (179) | 995 | |
| 2800 (193) | 1073 | |
| 3000 (206) | 1149 | |

| REFERENCE SPEED CHART | | |
|-----------------------|-------------|--|
| Flow GPM (Liter) | Speed (rpm) | |
| 10 (38) | 54 | |
| 15 (56) | 80 | |
| 20 (75) | 108 | |
| 25 (94) | 134 | |

Note: Revolution Drive units are not recommended for DTH and will not be covered under warranty for damage due to down the hole drilling.

Output speed and torque specifications are NOT listed at 100% efficiency. Maximum efficiencies have been applied to the torque and speed charts according to the manufacturer's recommendations. Speed and torque output are dependent on the overall system efficiencies associated with the prime movers hydraulic system. When the purchaser is determining criteria for specific applications please contact Pengo. Pengo has made every attempt to present accurate and suitable information published in this document. This document should be used for information and comparative purposes only. When application-specific information is required, please contact Pengo.



MS-125 | SINGLE SPEED

FEATURES

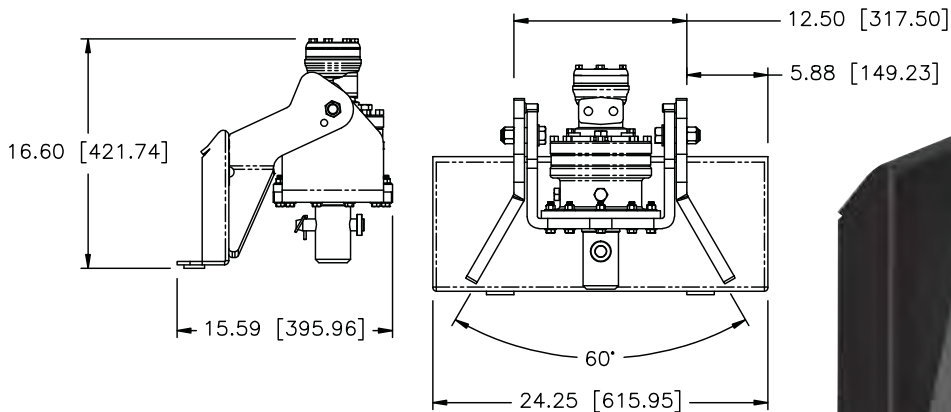
- Compact Size
- Universal Compact Skid Mount Included
- Hydraulic Hoses Included



| PART NO. | MODEL | CONNECTION | SWIVEL TYPE |
|----------|--------|------------|-------------|
| 700106 | MS-125 | R-256 | Single |
| 700303 | MS-125 | R-256 | Double |
| 700153 | MS-125 | H-200 | Single |
| 700313 | MS-125 | H-200 | Double |

ACCESSORIES

- 700215 Double Swivel Bracket Assy
151605 Pin Assy 7/8"



| TOTAL UNIT WEIGHT | 146 LBS / 66 Kg |
|-------------------------------|-----------------------------|
| HYDRAULIC MOTOR INFORMATION | |
| Displacement | 7.3 cu/in (120cc) |
| Motor Type | Single Speed Bi-Directional |
| Motor Output Shaft | 7/8" Spline 14T |
| Motor Mount | SAE - A 2 Bolt |
| Motor Ports | 7/8" - 14 O-Ring |
| Cross Over Pressure Relief | Not Equipped |
| PLANETARY GEARBOX INFORMATION | |
| Gearbox Type | Planetary Single Stage |
| Reduction Ratio | 5.77:1 |
| Output Shaft | 2" Hex or 2-9/16" Round |
| Oil Capacity | .31 Gallons |
| Oil Type | SAE 80W90 GL-5 |

| REFERENCE TORQUE CHART | | |
|------------------------|-----------------|--|
| Pressure PSI (Bar) | Torque (ft/lbs) | |
| 1600 (110) | 736 | |
| 1800 (124) | 827 | |
| 2000 (137) | 919 | |
| 2200 (151) | 1011 | |
| 2400 (165) | 1103 | |
| 2600 (179) | 1195 | |
| 2800 (193) | 1287 | |
| 3000 (206) | 1378 | |

| REFERENCE SPEED CHART | | |
|-----------------------|-------------|--|
| Flow GPM (Liter) | Speed (rpm) | |
| 10 (38) | 45 | |
| 15 (56) | 67 | |
| 20 (75) | 90 | |
| 25 (94) | 112 | |

Note: Revolution Drive units are not recommended for DTH and will not be covered under warranty for damage due to down the hole drilling.

Output speed and torque specifications are NOT listed at 100% efficiency. Maximum efficiencies have been applied to the torque and speed charts according to the manufacturer's recommendations. Speed and torque output are dependent on the overall system efficiencies associated with the prime movers hydraulic system. When the purchaser is determining criteria for specific applications please contact Pengo. Pengo has made every attempt to present accurate and suitable information published in this document. This document should be used for information and comparative purposes only. When application-specific information is required, please contact Pengo.

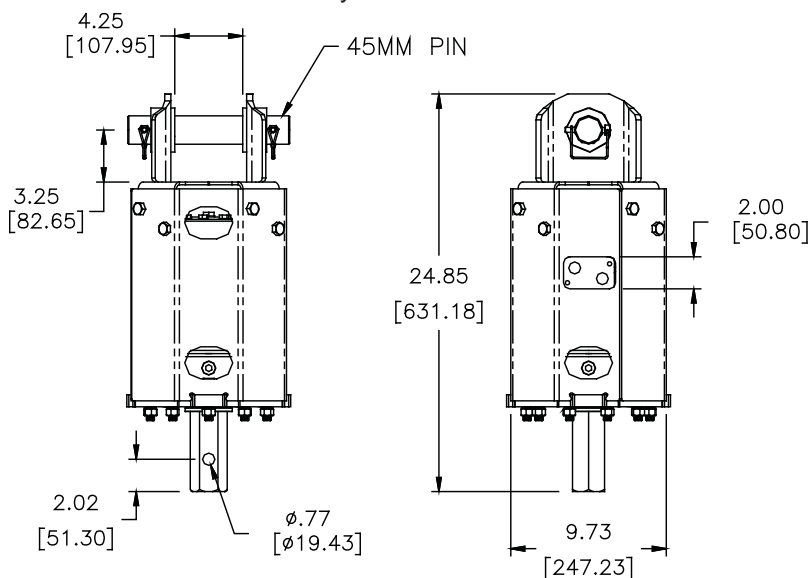


DS-2 | SINGLE SPEED

| PART NO. | APPLICATION | CONNECTION | EXCAVATOR |
|----------|-------------|------------|-----------|
| 610171 | DRILLING | H-200 | 2T-3T |
| 610267 | DRILLING | R-256 | 2T-3T |

ACCESSORIES

| | |
|--------|---|
| 661111 | Universal Mounting Plate for Skid-Steer |
| 661318 | Long Reach Universal Mount for Skid-Steer |
| 615000 | TruLink Class 1 4" Monitor |
| 615002 | TruLink Class 1 8" Monitor |
| 660555 | Link Arm 45mm |
| 660558 | Pin Assembly 45mm |



| TOTAL UNIT WEIGHT | 115 LBS / 52 Kg |
|-------------------------------|-----------------------------|
| HYDRAULIC MOTOR INFORMATION | |
| Displacement | 12.5 cu/in (205cc) |
| Motor Type | Single Speed Bi-Directional |
| Motor Output Shaft | 7/8" Spline 14T |
| Motor Mount | SAE - A 2 Bolt |
| Motor Ports | 1/2" BSP |
| Cross Over Pressure Relief | Not Equipped |
| PLANETARY GEARBOX INFORMATION | |
| Gearbox Type | Planetary Single Stage |
| Reduction Ratio | 5.77:1 |
| Output Shaft | 2" Hex or 2-9/16" Round |
| Oil Capacity | .31 Gallons |
| Oil Type | SAE 80W90 GL-5 |
| Shaft Pull Out (lbs.) | 3,000 lbs. |

| REFERENCE TORQUE CHART | | |
|------------------------|-----------------|--|
| Pressure PSI (Bar) | Torque (ft/lbs) | |
| 1600 (110) | 1256 | |
| 1800 (124) | 1413 | |
| 2000 (137) | 1570 | |
| 2200 (151) | 1728 | |
| 2400 (165) | 1884 | |
| 2600 (179) | 2042 | |
| 2800 (193) | 2198 | |
| 3000 (206) | 2356 | |

| REFERENCE SPEED CHART | | |
|-----------------------|-------------|--|
| Flow GPM (Liter) | Speed (rpm) | |
| 10 (38) | 26 | |
| 15 (56) | 39 | |
| 20 (75) | 52 | |
| 25 (94) | 66 | |

Note: Revolution Drive units are not recommended for DTH and will not be covered under warranty for damage due to down the hole drilling.

Output speed and torque specifications are NOT listed at 100% efficiency. Maximum efficiencies have been applied to the torque and speed charts according to the manufacturer's recommendations. Speed and torque output are dependent on the overall system efficiencies associated with the prime movers hydraulic system. When the purchaser is determining criteria for specific applications please contact Pengo. Pengo has made every attempt to present accurate and suitable information published in this document. This document should be used for information and comparative purposes only. When application-specific information is required, please contact Pengo.

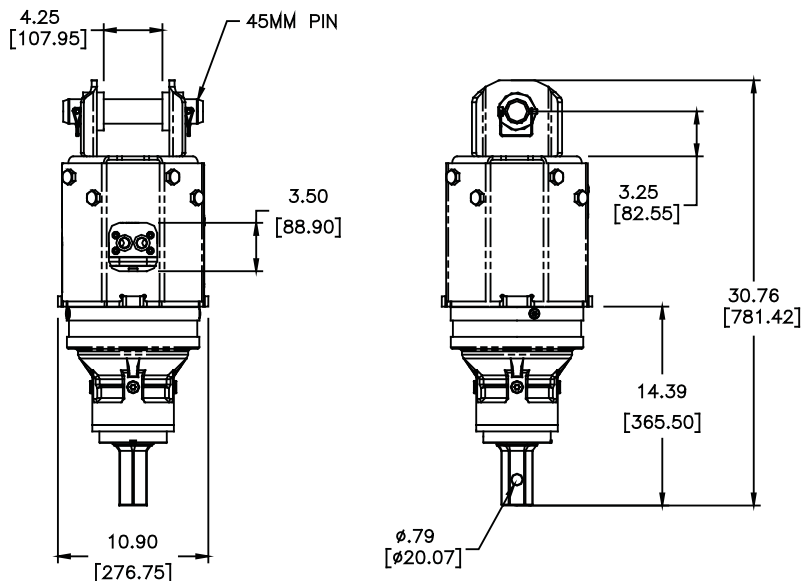


DS-3 | SINGLE SPEED

| PART NO. | APPLICATION | CONNECTION | EXCAVATOR |
|----------|-------------|------------|-----------|
| 610172 | DRILLING | H-200 | 2T-4T |

ACCESSORIES

| | |
|--------|---|
| 661111 | Universal Mounting Plate for Skid-Steer |
| 661318 | Long Reach Universal Mount for Skid-Steer |
| 615000 | TruLink Class 1 4" Monitor |
| 615002 | TruLink Class 1 8" Monitor |
| 660555 | Link Arm 45mm |
| 660558 | Pin Assembly 45mm |



| TOTAL UNIT WEIGHT | 170 LBS / 77 Kg |
|-------------------------------|-----------------------------|
| HYDRAULIC MOTOR INFORMATION | |
| Displacement | 8.0 cu/in (131cc) |
| Motor Type | Single Speed Bi-Directional |
| Motor Output Shaft | 1" 6-B Spline |
| Motor Mount | SAE - A 2 Bolt |
| Motor Ports | 7/8" - 14 O-Ring |
| Cross Over Pressure Relief | Not Equipped |
| PLANETARY GEARBOX INFORMATION | |
| Gearbox Type | Planetary Two Stage |
| Reduction Ratio | 14.79:1 |
| Output Shaft | 2" Hex |
| Oil Capacity | .87 Gallons |
| Oil Type | SAE 80W90 GL-5 |
| Shaft Pull Out (lbs.) | 7,000 lbs. |

| REFERENCE TORQUE CHART | | |
|------------------------|-----------------|--|
| Pressure PSI (Bar) | Torque (ft/lbs) | |
| 1600 (110) | 2058 | |
| 1800 (124) | 2315 | |
| 2000 (137) | 2572 | |
| 2200 (151) | 2830 | |
| 2400 (165) | 3087 | |
| 2600 (179) | 3344 | |
| 2800 (193) | 3601 | |
| 3000 (206) | 3859 | |

| REFERENCE SPEED CHART | | |
|-----------------------|-------------|--|
| Flow GPM (Liter) | Speed (rpm) | |
| 10 (38) | 16 | |
| 15 (56) | 24 | |
| 20 (75) | 32 | |
| 25 (94) | 40 | |

Note: Revolution Drive units are not recommended for DTH and will not be covered under warranty for damage due to down the hole drilling.

Output speed and torque specifications are NOT listed at 100% efficiency. Maximum efficiencies have been applied to the torque and speed charts according to the manufacturer's recommendations. Speed and torque output are dependent on the overall system efficiencies associated with the prime movers hydraulic system. When the purchaser is determining criteria for specific applications please contact Pengo. Pengo has made every attempt to present accurate and suitable information published in this document. This document should be used for information and comparative purposes only. When application-specific information is required, please contact Pengo.

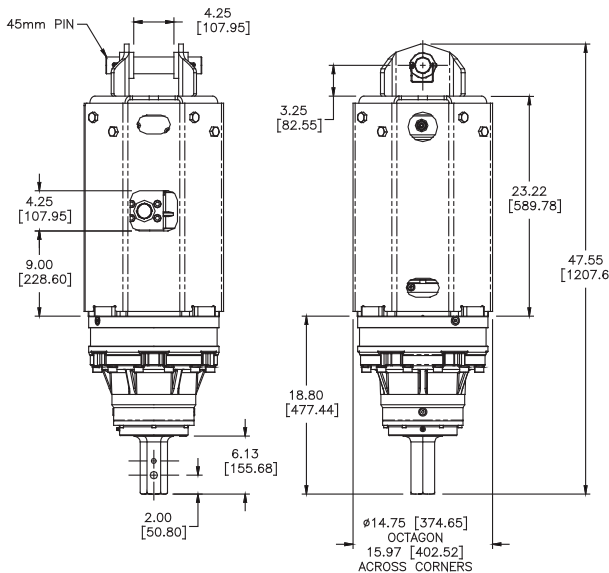


DT-5 | TWO SPEED

| PART NO. | APPLICATION | CONNECTION | EXCAVATOR |
|----------|-------------|------------|-----------|
| 610173 | DRILLING | H-250 | 5T-8T |

ACCESSORIES

| | |
|--------|---|
| 661111 | Universal Mounting Plate for Skid-Steer |
| 661318 | Long Reach Universal Mount for Skid-Steer |
| 615000 | TruLink Class 1 4" Monitor |
| 615002 | TruLink Class 1 8" Monitor |
| 660555 | Link Arm 45mm |
| 660558 | Pin Assembly 45mm |



| TOTAL UNIT WEIGHT | 645 LBS / 292 Kg |
|-------------------------------|--------------------------|
| HYDRAULIC MOTOR INFORMATION | |
| Displacement | 2.98 cu/in (97.6cc) |
| Motor Type | Two Speed Bi-Directional |
| Motor Output Shaft | 1-1/4" Spline 14T |
| Motor Mount | SAE - C 4 Bolt |
| Motor Ports | 1-5/8" - 12 UN-2B |
| Cross Over Pressure Relief | Set @ 3100 psi |
| PLANETARY GEARBOX INFORMATION | |
| Gearbox Type | Planetary Two Stage |
| Reduction Ratio | 25.36:1 |
| Output Shaft | 2-1/2" Hex |
| Oil Capacity | 1.7 Gallons |
| Oil Type | SAE 80W90 GL-5 |
| Shaft Pull Out (lbs.) | 22,500 lbs. |

TWO SPEED MODELS MUST HAVE A MINIMUM OF 20GPM.

Note: Revolution Drive units are not recommended for DTH and will not be covered under warranty for damage due to down the hole drilling.

Output speed and torque specifications are NOT listed at 100% efficiency. Maximum efficiencies have been applied to the torque and speed charts according to the manufacturer's recommendations. Speed and torque output are dependent on the overall system efficiencies associated with the prime movers hydraulic system. When the purchaser is determining criteria for specific applications please contact Pengo. Pengo has made every attempt to present accurate and suitable information published in this document. This document should be used for information and comparative purposes only. When application-specific information is required, please contact Pengo.

| REFERENCE TORQUE CHART | | |
|------------------------|----------------------|---------------------|
| Pressure PSI (Bar) | High Torque (ft/lbs) | Low Torque (ft/lbs) |
| 1600 (110) | 2629 | 1314 |
| 1800 (124) | 2958 | 1478 |
| 2000 (137) | 3287 | 1643 |
| 2200 (151) | 3615 | 1807 |
| 2400 (165) | 3943 | 1971 |
| 2600 (179) | 4272 | 2136 |
| 2800 (193) | 4601 | 2300 |
| 3000 (206) | 4930 | 2465 |

| REFERENCE SPEED CHART | | |
|-----------------------|-----------------|------------------|
| Flow GPM (Liter) | Low Speed (rpm) | High Speed (rpm) |
| 20 (75) | 25 | 50 |
| 25 (95) | 31 | 63 |
| 30 (113) | 38 | 75 |
| 35 (132) | 44 | 88 |
| 40 (151) | 50 | 100 |

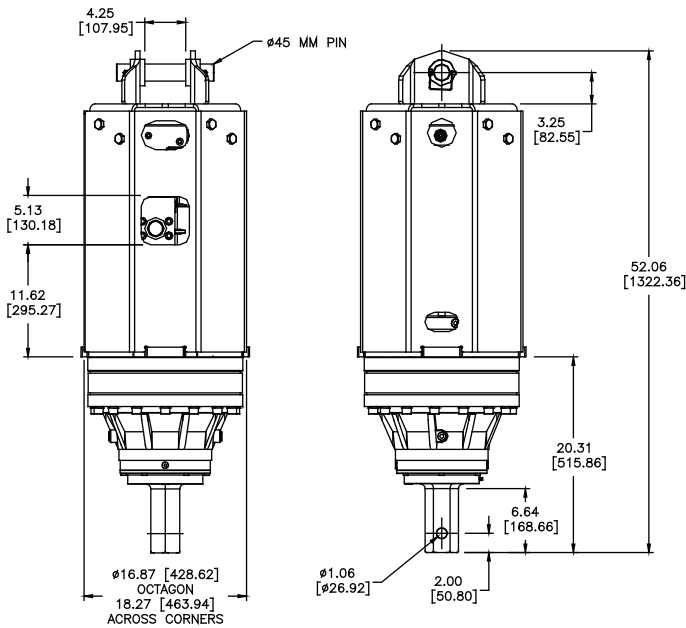


DT-15 | TWO SPEED

| PART NO. | APPLICATION | CONNECTION | EXCAVATOR |
|----------|-------------|------------|-----------|
| 610174 | DRILLING | H-300 | 17T-25T |

ACCESSORIES

| | |
|--------|----------------------------|
| 615000 | TruLink Class 1 4" Monitor |
| 615002 | TruLink Class 1 8" Monitor |
| 660555 | Link Arm 45mm |
| 660558 | Pin Assembly 45mm |



| TOTAL UNIT WEIGHT | 825 LBS / 374 Kg |
|-------------------------------|--------------------------|
| HYDRAULIC MOTOR INFORMATION | |
| Displacement | 17.8 cu/in (293cc) |
| Motor Type | Two Speed Bi-Directional |
| Motor Output Shaft | 1-1/4" Spline 14T |
| Motor Mount | SAE - C 4 Bolt |
| Motor Ports | 1-5/8" - 12 UN-2B |
| Cross Over Pressure Relief | Set @ 3100 psi |
| PLANETARY GEARBOX INFORMATION | |
| Gearbox Type | Planetary Two Stage |
| Reduction Ratio | 26.52:1 |
| Output Shaft | 3" Hex |
| Oil Capacity | 2.4 Gallons |
| Oil Type | SAE 80W90 GL-5 |
| Shaft Pull Out (lbs.) | 22,500 lbs. |

TWO SPEED MODELS MUST HAVE A MINIMUM OF 20GPM.

Note: Revolution Drive units are not recommended for DTH and will not be covered under warranty for damage due to down the hole drilling.

Output speed and torque specifications are NOT listed at 100% efficiency. Maximum efficiencies have been applied to the torque and speed charts according to the manufacturer's recommendations. Speed and torque output are dependent on the overall system efficiencies associated with the prime movers hydraulic system. When the purchaser is determining criteria for specific applications please contact Pengo. Pengo has made every attempt to present accurate and suitable information published in this document. This document should be used for information and comparative purposes only. When application-specific information is required, please contact Pengo.

| REFERENCE TORQUE CHART | | |
|------------------------|----------------------|---------------------|
| Pressure PSI (Bar) | High Torque (ft/lbs) | Low Torque (ft/lbs) |
| 1600 (110) | 8254 | 4127 |
| 1800 (124) | 9287 | 4643 |
| 2000 (137) | 10318 | 5159 |
| 2200 (151) | 11350 | 5674 |
| 2400 (165) | 12382 | 6191 |
| 2600 (179) | 13414 | 6707 |
| 2800 (193) | 14445 | 7223 |
| 3000 (206) | 15478 | 7738 |

| REFERENCE SPEED CHART | | |
|-----------------------|-----------------|------------------|
| Flow GPM (Liter) | Low Speed (rpm) | High Speed (rpm) |
| 20 (75) | 8 | 16 |
| 30 (113) | 12 | 24 |
| 40 (151) | 16 | 32 |
| 50 (190) | 20 | 40 |

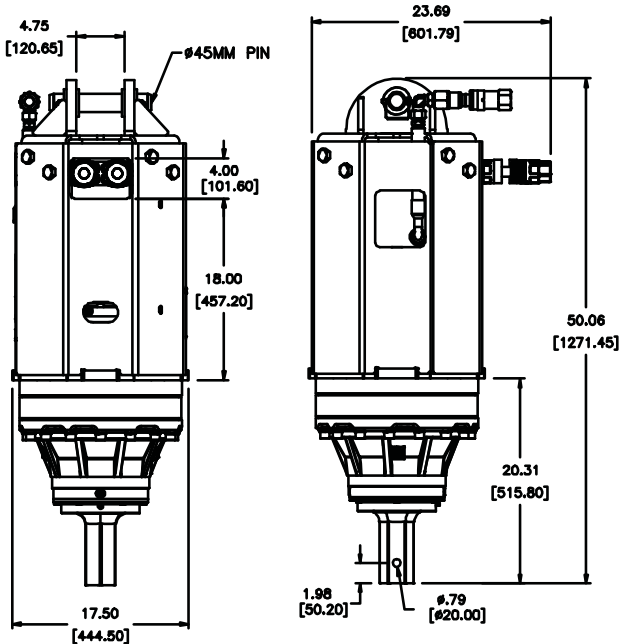


DV-20 | VARIABLE SPEED

| PART NO. | APPLICATION | CONNECTION | EXCAVATOR |
|----------|-------------|------------|-----------|
| 610442 | DRILLING | H-300 | 20T-30T |

ACCESSORIES

| | |
|--------|----------------------------|
| 615000 | TruLink Class 1 4" Monitor |
| 615002 | TruLink Class 1 8" Monitor |
| 660555 | Link Arm 45mm |
| 660558 | Pin Assembly 45mm |



| TOTAL UNIT WEIGHT | 880 LBS / 400 Kg |
|-------------------------------|-------------------------------|
| HYDRAULIC MOTOR INFORMATION | |
| Displacement | 8.25 cu/in (135cc) |
| Motor Type | Variable Speed Bi-Directional |
| Motor Output Shaft | 8/16 Spline 13T |
| Motor Mount | SAE - D 2 Bolt |
| Motor Ports | Radial (Quick Coupler) |
| Cross Over Pressure Relief | None |
| PLANETARY GEARBOX INFORMATION | |
| Gearbox Type | Planetary Three Stage |
| Reduction Ratio | 60.56:1 |
| Output Shaft | 3" Hex |
| Oil Capacity | 2.6 Gallons |
| Oil Type | SAE 80W90 GL-5 |
| Shaft Pull Out (lbs.) | 45,000 lbs. |

| REFERENCE TORQUE CHART | | |
|------------------------|----------------------|---------------------|
| Pressure PSI (Bar) | High Torque (ft/lbs) | Low Torque (ft/lbs) |
| 2600 (179) | 14629 | 8669 |
| 2800 (193) | 15755 | 9336 |
| 3000 (206) | 16880 | 10003 |
| 3200 (220) | 18006 | 10670 |
| 3400 (234) | 19131 | 11336 |
| 3600 (248) | 20256 | 12004 |
| 3800 (262) | 21382 | 12671 |
| 4000 (275) | 22507 | 13337 |

| REFERENCE SPEED CHART | | |
|-----------------------|---------------|----------------|
| Flow GPM (Liter) | Low Spd (rpm) | High Spd (rpm) |
| 40 (150) | 16 | 27 |
| 45 (169) | 18 | 30 |
| 50 (188) | 20 | 33 |
| 55 (206) | 22 | 37 |
| 60 (225) | 24 | 40 |

VARIABLE SPEED MODELS MUST HAVE A DRAIN LINE.

Note: Revolution Drive units are not recommended for DTH and will not be covered under warranty for damage due to down the hole drilling.

Output speed and torque specifications are NOT listed at 100% efficiency. Maximum efficiencies have been applied to the torque and speed charts according to the manufacturer's recommendations. Speed and torque output are dependent on the overall system efficiencies associated with the prime movers hydraulic system. When the purchaser is determining criteria for specific applications please contact Pengo. Pengo has made every attempt to present accurate and suitable information published in this document. This document should be used for information and comparative purposes only. When application-specific information is required, please contact Pengo.

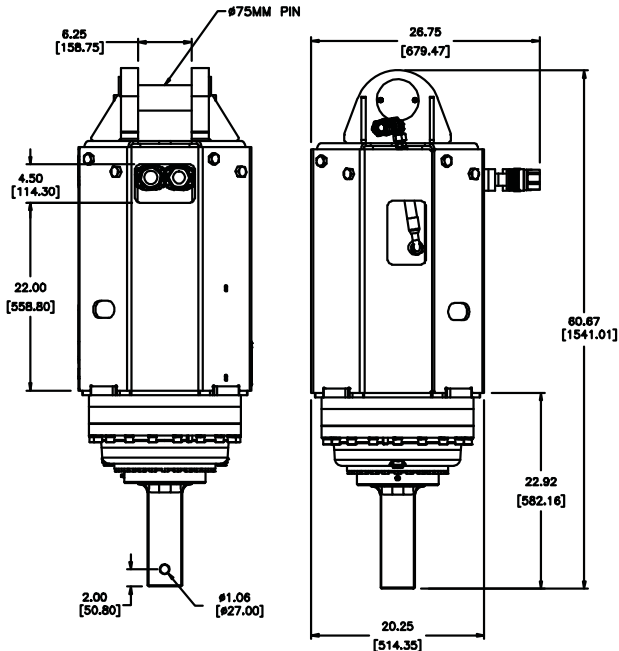


DV-30 | VARIABLE SPEED

| PART NO. | APPLICATION | CONNECTION | EXCAVATOR |
|----------|-------------|------------|-----------|
| 610384 | DRILLING | S-400 | 20T-30T |

ACCESSORIES

| | |
|--------|----------------------------|
| 615001 | TruLink Class 2 4" Monitor |
| 615003 | TruLink Class 2 8" Monitor |
| 610202 | Link Arm 75mm |
| 660554 | Pin Assembly 75mm |



| TOTAL UNIT WEIGHT | 1250 LBS / 566 Kg |
|-------------------------------|-------------------------------|
| HYDRAULIC MOTOR INFORMATION | |
| Displacement | 10.06 cu/in (165cc) |
| Motor Type | Variable Speed Bi-Directional |
| Motor Output Shaft | 1-1/4" Spline 13T |
| Motor Mount | SAE - D 2 Bolt |
| Motor Ports | Radial (Quick Coupler) |
| Cross Over Pressure Relief | None |
| PLANETARY GEARBOX INFORMATION | |
| Gearbox Type | Planetary Three Stage |
| Reduction Ratio | 69.7:1 |
| Output Shaft | 4" Square |
| Oil Capacity | 3.1 Gallons |
| Oil Type | SAE 80W90 GL-5 |
| Shaft Pull Out (lbs.) | 60,000 lbs. |

| REFERENCE TORQUE CHART | | |
|------------------------|----------------------|---------------------|
| Pressure PSI (Bar) | High Torque (ft/lbs) | Low Torque (ft/lbs) |
| 2600 (179) | 20579 | 8481 |
| 2800 (193) | 22162 | 9133 |
| 3000 (206) | 23746 | 9786 |
| 3200 (220) | 25328 | 10438 |
| 3400 (234) | 26912 | 11091 |
| 3600 (248) | 28495 | 11743 |
| 3800 (262) | 30078 | 12396 |
| 4000 (275) | 31661 | 13048 |

| REFERENCE SPEED CHART | | |
|-----------------------|---------------|----------------|
| Flow GPM (Liter) | Low Spd (rpm) | High Spd (rpm) |
| 40 (150) | 11 | 27 |
| 45 (169) | 13 | 31 |
| 50 (188) | 14 | 34 |
| 55 (206) | 15 | 37 |
| 60 (225) | 17 | 41 |

VARIABLE SPEED MODELS MUST HAVE A Drain LINE.

Note: Revolution Drive units are not recommended for DTH and will not be covered under warranty for damage due to down the hole drilling.

Output speed and torque specifications are NOT listed at 100% efficiency. Maximum efficiencies have been applied to the torque and speed charts according to the manufacturer's recommendations. Speed and torque output are dependent on the overall system efficiencies associated with the prime movers hydraulic system. When the purchaser is determining criteria for specific applications please contact Pengo. Pengo has made every attempt to present accurate and suitable information published in this document. This document should be used for information and comparative purposes only. When application-specific information is required, please contact Pengo.

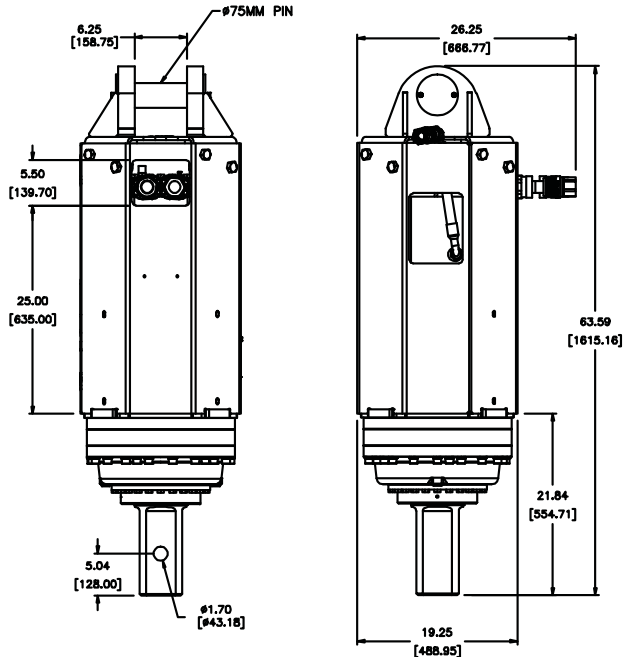


DV-40 | VARIABLE SPEED

| PART NO. | APPLICATION | CONNECTION | EXCAVATOR |
|----------|-------------|------------|-----------|
| 610385 | DRILLING | S-130mm | 20T-30T |

ACCESSORIES

| | |
|--------|----------------------------|
| 615001 | TruLink Class 2 4" Monitor |
| 615003 | TruLink Class 2 8" Monitor |
| 610202 | Link Arm 75mm |



| | |
|--------------------------------------|-------------------------------|
| TOTAL UNIT WEIGHT | 1500 LBS / 680 Kg |
| HYDRAULIC MOTOR INFORMATION | |
| Displacement | 10.06 cu/in (165cc) |
| Motor Type | Variable Speed Bi-Directional |
| Motor Output Shaft | 1-1/4" Spline 13T |
| Motor Mount | SAE - D 2 Bolt |
| Motor Ports | Radial (Quick Coupler) |
| Cross Over Pressure Relief | None |
| PLANETARY GEARBOX INFORMATION | |
| Gearbox Type | Planetary Three Stage |
| Reduction Ratio | 83.78:1 |
| Output Shaft | 130mm Square |
| Oil Capacity | 3.7 Gallons |
| Oil Type | SAE 80W90 GL-5 |
| Shaft Pull Out (lbs.) | 60,000 lbs. |

| REFERENCE TORQUE CHART | | |
|------------------------|----------------------|---------------------|
| Pressure PSI (Bar) | High Torque (ft/lbs) | Low Torque (ft/lbs) |
| 2600 (179) | 24737 | 10194 |
| 2800 (193) | 26640 | 10979 |
| 3000 (206) | 28542 | 11762 |
| 3200 (220) | 30445 | 12547 |
| 3400 (234) | 32348 | 13331 |
| 3600 (248) | 34251 | 14115 |
| 3800 (262) | 36154 | 14900 |
| 4000 (275) | 38056 | 15683 |

| REFERENCE SPEED CHART | | |
|-----------------------|---------------|----------------|
| Flow GPM (Liter) | Low Spd (rpm) | High Spd (rpm) |
| 40 (150) | 9 | 23 |
| 45 (169) | 10 | 25 |
| 50 (188) | 12 | 28 |
| 55 (206) | 13 | 31 |
| 60 (225) | 14 | 34 |

VARIABLE SPEED MODELS MUST HAVE A DRAIN LINE.

Note: Revolution Drive units are not recommended for DTH and will not be covered under warranty for damage due to down the hole drilling.

Output speed and torque specifications are NOT listed at 100% efficiency. Maximum efficiencies have been applied to the torque and speed charts according to the manufacturer's recommendations. Speed and torque output are dependent on the overall system efficiencies associated with the prime movers hydraulic system. When the purchaser is determining criteria for specific applications please contact Pengo. Pengo has made every attempt to present accurate and suitable information published in this document. This document should be used for information and comparative purposes only. When application-specific information is required, please contact Pengo.



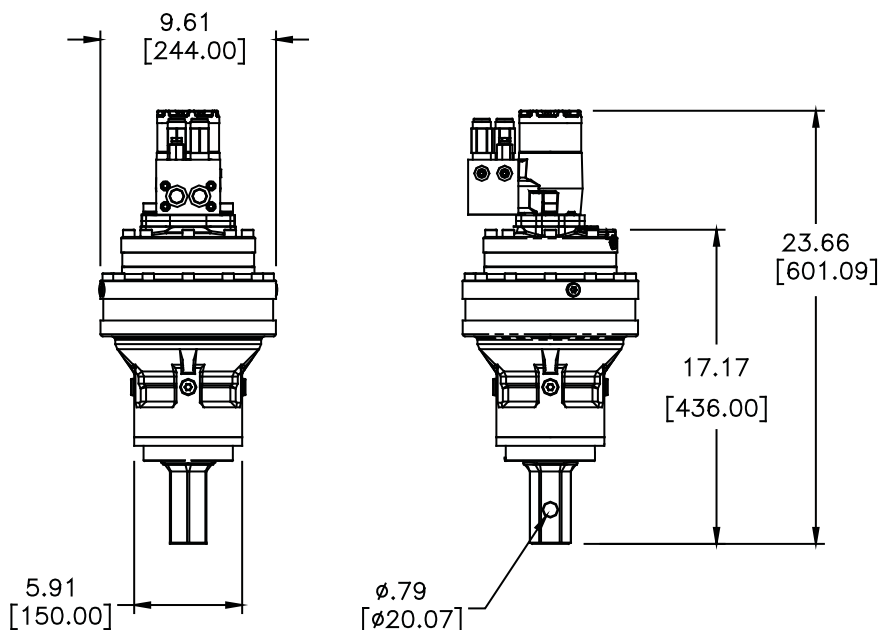
RS-7X | SINGLE SPEED



| PART NO. | APPLICATION | CONNECTION | EXCAVATOR |
|----------|-------------|------------|-----------|
| 610206 | ANCHOR | H-200 | N/A |

ACCESSORIES

610288 Bail Assmby Kit (convert to RS-7)



| TOTAL UNIT WEIGHT | | 120 LBS / 54 Kg |
|-------------------------------|--|---------------------|
| HYDRAULIC MOTOR INFORMATION | | |
| Displacement | | 18.7 cu/in (306cc) |
| Motor Type | | Single Speed |
| Motor Output Shaft | | 1" 6B Spline |
| Motor Mount | | SAE - A 2 Bolt |
| Motor Ports | | 3/4" - 16 O-Ring |
| Cross Over Pressure Relief | | Set @ 2700 psi |
| PLANETARY GEARBOX INFORMATION | | |
| Gearbox Type | | Planetary Two Stage |
| Reduction Ratio | | 14.79:1 |
| Output Shaft | | 2" Hex |
| Oil Capacity | | .87 Gallons |
| Oil Type | | SAE 80W90 GL-5 |
| Shaft Pull Out (lbs.) | | 7,000 lbs. |

Note: Revolution Drive units are not recommended for DTH and will not be covered under warranty for damage due to down the hole drilling.

| REFERENCE TORQUE CHART | | |
|------------------------|-----------------|--|
| Pressure PSI (Bar) | Torque (ft/lbs) | |
| 1000 (68) | 3004 | |
| 1300 (89) | 3906 | |
| 1500 (103) | 4507 | |
| 1700 (117) | 5108 | |
| 1900 (131) | 5709 | |
| 2100 (144) | 6310 | |
| 2300 (158) | 6911 | |
| 2500 (172) | 7512 | |

| REFERENCE SPEED CHART | | |
|-----------------------|-------------|--|
| Flow GPM (Liter) | Speed (rpm) | |
| 10 (37) | 7 | |
| 15 (56) | 10 | |
| 20 (75) | 14 | |
| 25 (94) | 17 | |

Output speed and torque specifications are NOT listed at 100% efficiency. Maximum efficiencies have been applied to the torque and speed charts according to the manufacturer's recommendations. Speed and torque output are dependent on the overall system efficiencies associated with the prime movers hydraulic system. When the purchaser is determining criteria for specific applications please contact Pengo. Pengo has made every attempt to present accurate and suitable information published in this document. This document should be used for information and comparative purposes only. When application-specific information is required, please contact Pengo.

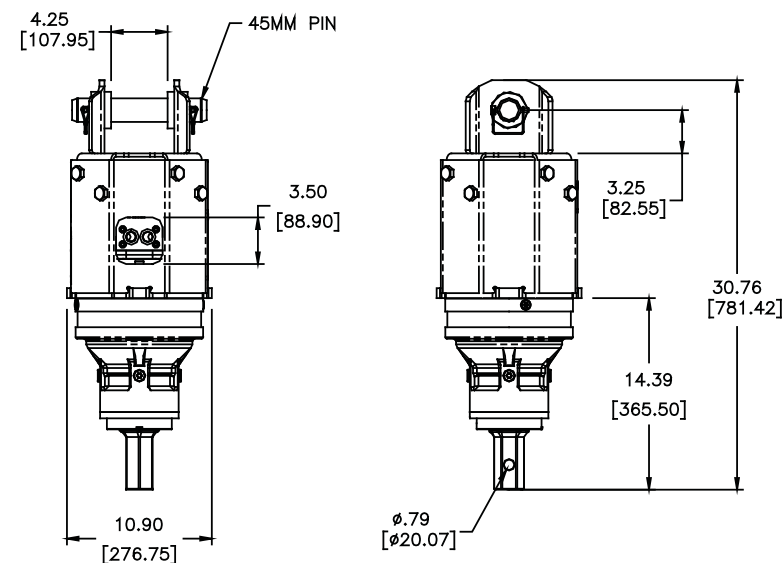


RS-7 | SINGLE SPEED

| PART NO. | APPLICATION | CONNECTION | EXCAVATOR |
|----------|-------------|------------|-----------|
| 610207 | ANCHOR | H-200 | 5T-8T |

ACCESSORIES

| | |
|--------|---|
| 661111 | Universal Mounting Plate for Skid-Steer |
| 661318 | Long Reach Universal Mount for Skid-Steer |
| 615000 | TruLink Class 1 4" Monitor |
| 615002 | TruLink Class 1 8" Monitor |
| 660555 | Link Arm 45mm |
| 660558 | Pin Assembly 45mm |



| TOTAL UNIT WEIGHT | 170 LBS / 77 Kg |
|-------------------------------|---------------------|
| HYDRAULIC MOTOR INFORMATION | |
| Displacement | 18.7 cu/in (306cc) |
| Motor Type | Single Speed |
| Motor Output Shaft | 1" 6B Spline |
| Motor Mount | SAE - A 2 Bolt |
| Motor Ports | 3/4" - 16 O-Ring |
| Cross Over Pressure Relief | Set @ 2700 psi |
| PLANETARY GEARBOX INFORMATION | |
| Gearbox Type | Planetary Two Stage |
| Reduction Ratio | 14.79:1 |
| Output Shaft | 2" Hex |
| Oil Capacity | .87 Gallons |
| Oil Type | SAE 80W90 GL-5 |
| Shaft Pull Out (lbs.) | 7,000 lbs. |

| REFERENCE TORQUE CHART | | |
|------------------------|-----------------|--|
| Pressure PSI (Bar) | Torque (ft/lbs) | |
| 1000 (68) | 3004 | |
| 1300 (89) | 3906 | |
| 1500 (103) | 4507 | |
| 1700 (117) | 5108 | |
| 1900 (131) | 5709 | |
| 2100 (144) | 6310 | |
| 2300 (158) | 6911 | |
| 2500 (172) | 7512 | |

| REFERENCE SPEED CHART | | |
|-----------------------|-------------|--|
| Flow GPM (Liter) | Speed (rpm) | |
| 10 (37) | 7 | |
| 15 (56) | 10 | |
| 20 (75) | 14 | |
| 25 (94) | 17 | |

Note: Revolution Drive units are not recommended for DTH and will not be covered under warranty for damage due to down the hole drilling.

Output speed and torque specifications are NOT listed at 100% efficiency. Maximum efficiencies have been applied to the torque and speed charts according to the manufacturer's recommendations. Speed and torque output are dependent on the overall system efficiencies associated with the prime movers hydraulic system. When the purchaser is determining criteria for specific applications please contact Pengo. Pengo has made every attempt to present accurate and suitable information published in this document. This document should be used for information and comparative purposes only. When application-specific information is required, please contact Pengo.

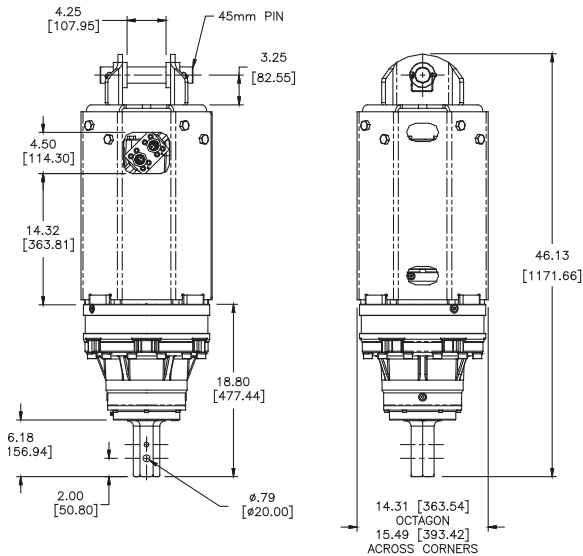


RS-12 | SINGLE SPEED

| PART NO. | APPLICATION | CONNECTION | EXCAVATOR |
|----------|-------------|------------|-----------|
| 610057 | ANCHOR | H-250 | 11T-17T |

ACCESSORIES

| | |
|--------|---|
| 661111 | Universal Mounting Plate for Skid-Steer |
| 661318 | Long Reach Universal Mount for Skid-Steer |
| 615000 | TruLink Class 1 4" Monitor |
| 615002 | TruLink Class 1 8" Monitor |
| 660555 | Link Arm 45mm |
| 660558 | Pin Assembly 45mm |



| TOTAL UNIT WEIGHT | 546 LBS / 248 Kg |
|-------------------------------|-----------------------------|
| HYDRAULIC MOTOR INFORMATION | |
| Displacement | 23.9 cu/in (390cc) |
| Motor Type | Single Speed Bi-Directional |
| Motor Output Shaft | 1-1/2" Spline 17T |
| Motor Mount | SAE - C 4 Bolt |
| Motor Ports | 1-1/16" - 12 O-Ring |
| Cross Over Pressure Relief | Set @ 3100 psi |
| PLANETARY GEARBOX INFORMATION | |
| Gearbox Type | Planetary Two Stage |
| Reduction Ratio | 17.39:1 |
| Output Shaft | 2-1/2" Hex |
| Oil Capacity | 1.7 Gallons |
| Oil Type | SAE 80W90 GL-5 |
| Shaft Pull Out (lbs.) | 22,500 lbs. |

| REFERENCE TORQUE CHART | | |
|------------------------|-----------------|--|
| Pressure PSI (Bar) | Torque (ft/lbs) | |
| 1600 (110) | 6941 | |
| 1800 (124) | 7808 | |
| 2000 (137) | 8677 | |
| 2200 (151) | 9544 | |
| 2400 (165) | 10411 | |
| 2600 (179) | 11280 | |
| 2800 (193) | 12147 | |
| 3000 (206) | 13014 | |

| REFERENCE SPEED CHART | | |
|-----------------------|-------------|--|
| Flow GPM (Liter) | Speed (rpm) | |
| 15 (56) | 7 | |
| 20 (75) | 9 | |
| 25 (94) | 11 | |
| 30 (113) | 13 | |
| 35 (132) | 15 | |
| 40 (151) | 18 | |

Note: Revolution Drive units are not recommended for DTH and will not be covered under warranty for damage due to down the hole drilling.

Output speed and torque specifications are NOT listed at 100% efficiency. Maximum efficiencies have been applied to the torque and speed charts according to the manufacturer's recommendations. Speed and torque output are dependent on the overall system efficiencies associated with the prime movers hydraulic system. When the purchaser is determining criteria for specific applications please contact Pengo. Pengo has made every attempt to present accurate and suitable information published in this document. This document should be used for information and comparative purposes only. When application-specific information is required, please contact Pengo.

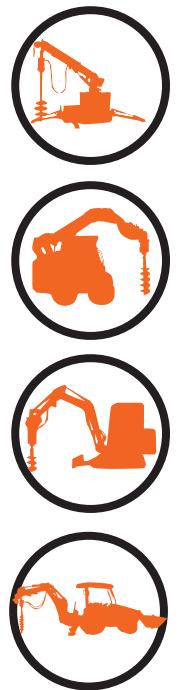
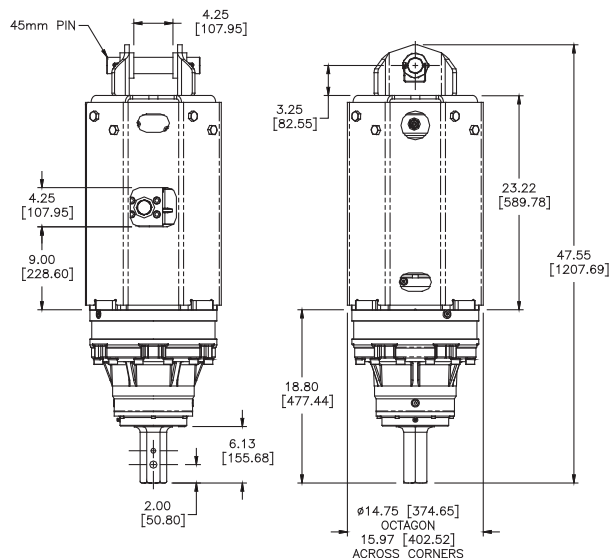


RT-9 | TWO SPEED

| PART NO. | APPLICATION | CONNECTION | EXCAVATOR |
|----------|-------------|------------|-----------|
| 610058 | ANCHOR | H-250 | 8T-13T |

ACCESSORIES

| | |
|--------|---|
| 661111 | Universal Mounting Plate for Skid-Steer |
| 661318 | Long Reach Universal Mount for Skid-Steer |
| 615000 | TruLink Class 1 4" Monitor |
| 615002 | TruLink Class 1 8" Monitor |
| 660555 | Link Arm 45mm |
| 660558 | Pin Assembly 45mm |



| TOTAL UNIT WEIGHT | 540 LBS / 245 Kg |
|-------------------------------|--------------------------|
| HYDRAULIC MOTOR INFORMATION | |
| Displacement | 11.9 cu/in (195cc) |
| Motor Type | Two Speed Bi-Directional |
| Motor Output Shaft | 1-1/4" Spline 14T |
| Motor Mount | SAE - C 4 Bolt |
| Motor Ports | 1-5/8" - 12 UN-2B |
| Cross Over Pressure Relief | Set @ 3100 psi |
| PLANETARY GEARBOX INFORMATION | |
| Gearbox Type | Planetary Two Stage |
| Reduction Ratio | 25.36:1 |
| Output Shaft | 2-1/2" Hex |
| Oil Capacity | 1.7 Gallons |
| Oil Type | SAE 80W90 GL-5 |
| Shaft Pull Out (lbs.) | 22,500 lbs. |

| REFERENCE TORQUE CHART | | |
|------------------------|----------------------|---------------------|
| Pressure PSI (Bar) | High Torque (ft/lbs) | Low Torque (ft/lbs) |
| 1600 (110) | 5253 | 2626 |
| 1800 (124) | 5910 | 2954 |
| 2000 (137) | 6567 | 3283 |
| 2200 (151) | 7223 | 3611 |
| 2400 (165) | 7880 | 3940 |
| 2600 (179) | 8536 | 4268 |
| 2800 (193) | 9193 | 4596 |
| 3000 (206) | 9850 | 4925 |

| REFERENCE SPEED CHART | | |
|-----------------------|-----------------|------------------|
| Flow GPM (Liter) | Low Speed (rpm) | High Speed (rpm) |
| 20 (75) | 13 | 25 |
| 30 (113) | 19 | 38 |
| 40 (151) | 25 | 50 |
| 50 (190) | 31 | 63 |

Note: Revolution Drive units are not recommended for DTH and will not be covered under warranty for damage due to down the hole drilling.

TWO SPEED MODELS MUST HAVE A MINIMUM OF 20GPM.

Output speed and torque specifications are NOT listed at 100% efficiency. Maximum efficiencies have been applied to the torque and speed charts according to the manufacturer's recommendations. Speed and torque output are dependent on the overall system efficiencies associated with the prime movers hydraulic system. When the purchaser is determining criteria for specific applications please contact Pengo. Pengo has made every attempt to present accurate and suitable information published in this document. This document should be used for information and comparative purposes only. When application-specific information is required, please contact Pengo.

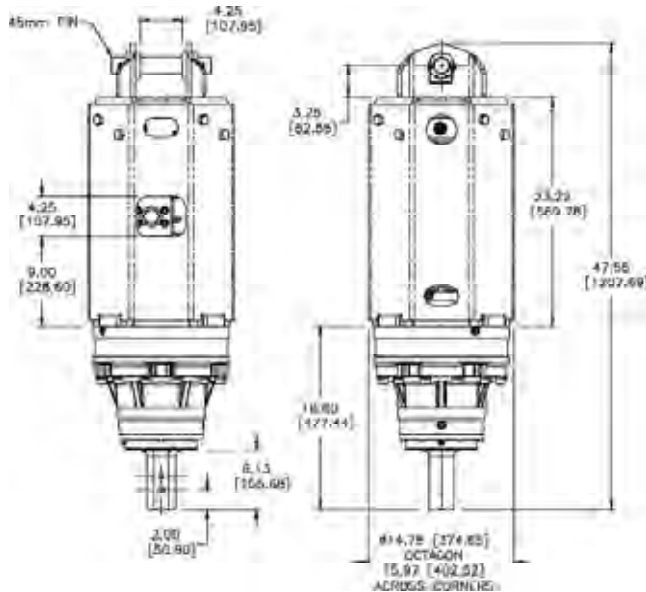


RT-12 | TWO SPEED

| PART NO. | APPLICATION | CONNECTION | EXCAVATOR |
|----------|-------------|------------|-----------|
| 610059 | ANCHOR | H-250 | 11T-17T |

ACCESSORIES

| | |
|--------|---|
| 661111 | Universal Mounting Plate for Skid-Steer |
| 661318 | Long Reach Universal Mount for Skid-Steer |
| 615000 | TruLink Class 1 4" Monitor |
| 615002 | TruLink Class 1 8" Monitor |
| 660555 | Link Arm 45mm |
| 660558 | Pin Assembly 45mm |



**AUTO
SHIFT**

| TOTAL UNIT WEIGHT | 655 LBS / 297 Kg |
|-------------------------------|--------------------------|
| HYDRAULIC MOTOR INFORMATION | |
| Displacement | 14.9 cu/in (244cc) |
| Motor Type | Two Speed Bi-Directional |
| Motor Output Shaft | 1-1/4" Spline 14T |
| Motor Mount | SAE - C 4 Bolt |
| Motor Ports | 1-5/8" - 12 UN-2B |
| Cross Over Pressure Relief | Set @ 3100 psi |
| PLANETARY GEARBOX INFORMATION | |
| Gearbox Type | Planetary Two Stage |
| Reduction Ratio | 25.36:1 |
| Output Shaft | 2-1/2" Hex |
| Oil Capacity | 1.8 Gallons |
| Oil Type | SAE 80W90 GL-5 |
| Shaft Pull Out (lbs.) | 22,500 lbs. |

Note: Revolution Drive units are not recommended for DTH and will not be covered under warranty for damage due to down the hole drilling.

Output speed and torque specifications are NOT listed at 100% efficiency. Maximum efficiencies have been applied to the torque and speed charts according to the manufacturer's recommendations. Speed and torque output are dependent on the overall system efficiencies associated with the prime movers hydraulic system. When the purchaser is determining criteria for specific applications please contact Pengo. Pengo has made every attempt to present accurate and suitable information published in this document. This document should be used for information and comparative purposes only. When application-specific information is required, please contact Pengo.

| REFERENCE TORQUE CHART | | |
|------------------------|----------------------|---------------------|
| Pressure PSI (Bar) | High Torque (ft/lbs) | Low Torque (ft/lbs) |
| 1600 (110) | 6576 | 3068 |
| 1800 (124) | 7398 | 3451 |
| 2000 (137) | 8220 | 3835 |
| 2200 (151) | 9042 | 4219 |
| 2400 (165) | 9864 | 4603 |
| 2600 (179) | 10686 | 4986 |
| 2800 (193) | 11508 | 5369 |
| 3000 (206) | 12330 | 5753 |

| REFERENCE SPEED CHART | | |
|-----------------------|-----------------|------------------|
| Flow GPM (Liter) | Low Speed (rpm) | High Speed (rpm) |
| 20 (75) | 10 | 21 |
| 30 (113) | 15 | 32 |
| 40 (151) | 20 | 43 |
| 50 (190) | 25 | 54 |

TWO SPEED MODELS MUST HAVE A MINIMUM OF 20GPM.

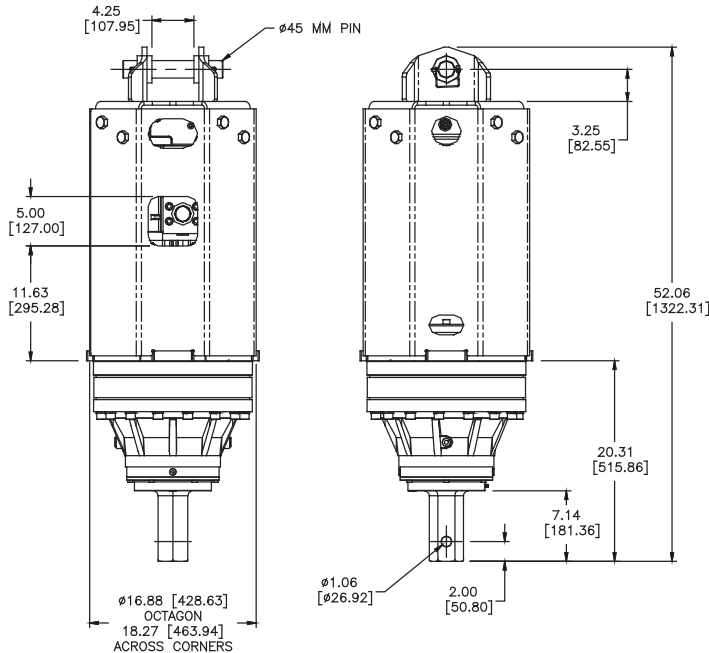


RT-20 | TWO SPEED

| PART NO. | APPLICATION | CONNECTION | EXCAVATOR |
|----------|-------------|------------|-----------|
| 610060 | ANCHOR | H-300 | 20T-30T |

ACCESSORIES

| | |
|--------|----------------------------|
| 615000 | TruLink Class 1 4" Monitor |
| 615002 | TruLink Class 1 8" Monitor |
| 660555 | Link Arm 45mm |
| 660558 | Pin Assembly 45mm |



| TOTAL UNIT WEIGHT | 855 LBS / 387 Kg |
|-------------------------------|--------------------------|
| HYDRAULIC MOTOR INFORMATION | |
| Displacement | 11.9 cu/in (195cc) |
| Motor Type | Two Speed Bi-Directional |
| Motor Output Shaft | 1-1/4" Spline 14T |
| Motor Mount | SAE - C 4 Bolt |
| Motor Ports | 1-5/8" - 12 UN-2B |
| Cross Over Pressure Relief | Set @ 3100 psi |
| PLANETARY GEARBOX INFORMATION | |
| Gearbox Type | Planetary Three Stage |
| Reduction Ratio | 60.56:1 |
| Output Shaft | 3" Hex |
| Oil Capacity | 2.6 Gallons |
| Oil Type | SAE 80W90 GL-5 |
| Shaft Pull Out (lbs.) | 45,000 lbs. |

| REFERENCE TORQUE CHART | | |
|------------------------|----------------------|---------------------|
| Pressure PSI (Bar) | High Torque (ft/lbs) | Low Torque (ft/lbs) |
| 1600 (110) | 12086 | 6043 |
| 1800 (124) | 13597 | 6798 |
| 2000 (137) | 15108 | 7554 |
| 2200 (151) | 16618 | 8309 |
| 2400 (165) | 18129 | 9064 |
| 2600 (179) | 19640 | 9820 |
| 2800 (193) | 21151 | 10575 |
| 3000 (206) | 22662 | 11331 |

| REFERENCE SPEED CHART | | |
|-----------------------|-----------------|------------------|
| Flow GPM (Liter) | Low Speed (rpm) | High Speed (rpm) |
| 20 (75) | 5 | 10 |
| 30 (113) | 8 | 15 |
| 40 (151) | 10 | 20 |
| 50 (190) | 13 | 25 |

Note: Revolution Drive units are not recommended for DTH and will not be covered under warranty for damage due to down the hole drilling.

Output speed and torque specifications are NOT listed at 100% efficiency. Maximum efficiencies have been applied to the torque and speed charts according to the manufacturer's recommendations. Speed and torque output are dependent on the overall system efficiencies associated with the prime movers hydraulic system. When the purchaser is determining criteria for specific applications please contact Pengo. Pengo has made every attempt to present accurate and suitable information published in this document. This document should be used for information and comparative purposes only. When application-specific information is required, please contact Pengo.

TWO SPEED MODELS MUST HAVE A MINIMUM OF 20GPM.

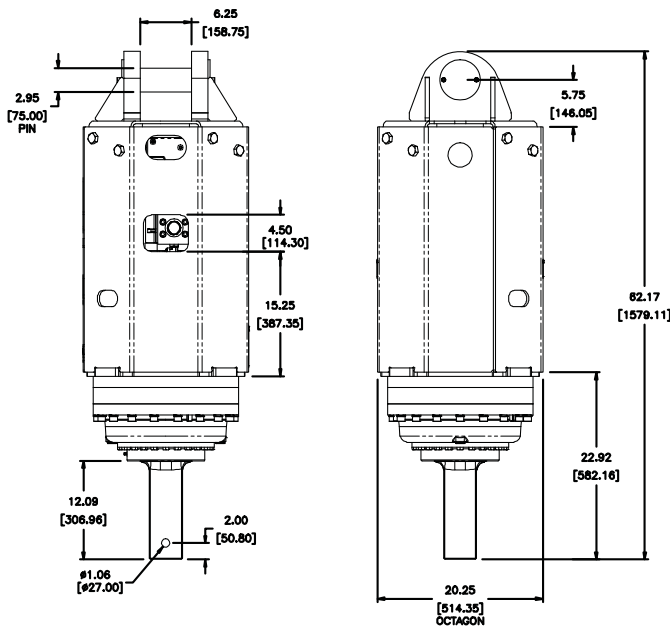


RT-30 | TWO SPEED

| PART NO. | APPLICATION | CONNECTION | EXCAVATOR |
|----------|-------------|------------|-----------|
| 610061 | ANCHOR | S-400 | 20T-30T |

ACCESSORIES

| | |
|--------|----------------------------|
| 615001 | TruLink Class 2 4" Monitor |
| 615003 | TruLink Class 2 8" Monitor |
| 610202 | Link Arm 75mm |
| 660554 | Pin Assembly 75mm |



| TOTAL UNIT WEIGHT | 1220 LBS / 553 Kg |
|-------------------------------|--------------------------|
| HYDRAULIC MOTOR INFORMATION | |
| Displacement | 13.9 cu/in (227cc) |
| Motor Type | Two Speed Bi-Directional |
| Motor Output Shaft | 1-1/4" Spline 14T |
| Motor Mount | SAE - C 4 Bolt |
| Motor Ports | 1-5/8" - 12 UN-2B |
| Cross Over Pressure Relief | Set @ 3100 psi |
| PLANETARY GEARBOX INFORMATION | |
| Gearbox Type | Planetary Three Stage |
| Reduction Ratio | 69.7:1 |
| Output Shaft | 4" Square |
| Oil Capacity | 3.1 Gallons |
| Oil Type | SAE 80W90 GL-5 |
| Shaft Pull Out (lbs.) | 60,000 lbs. |

| REFERENCE TORQUE CHART | | |
|------------------------|----------------------|---------------------|
| Pressure PSI (Bar) | High Torque (ft/lbs) | Low Torque (ft/lbs) |
| 1600 (110) | 16250 | 8125 |
| 1800 (124) | 18281 | 9140 |
| 2000 (137) | 20312 | 10156 |
| 2200 (151) | 22344 | 11171 |
| 2400 (165) | 24375 | 12187 |
| 2600 (179) | 26407 | 13203 |
| 2800 (193) | 28438 | 14218 |
| 3000 (206) | 30470 | 15234 |

| REFERENCE SPEED CHART | | |
|-----------------------|-----------------|------------------|
| Flow GPM (Liter) | Low Speed (rpm) | High Speed (rpm) |
| 20 (75) | 4 | 8 |
| 30 (113) | 6 | 11 |
| 40 (151) | 8 | 15 |
| 50 (190) | 9 | 19 |

Note: Revolution Drive units are not recommended for DTH and will not be covered under warranty for damage due to down the hole drilling.

Output speed and torque specifications are NOT listed at 100% efficiency. Maximum efficiencies have been applied to the torque and speed charts according to the manufacturer's recommendations. Speed and torque output are dependent on the overall system efficiencies associated with the prime movers hydraulic system. When the purchaser is determining criteria for specific applications please contact Pengo. Pengo has made every attempt to present accurate and suitable information published in this document. This document should be used for information and comparative purposes only. When application-specific information is required, please contact Pengo.

TWO SPEED MODELS MUST HAVE A MINIMUM OF 20GPM.

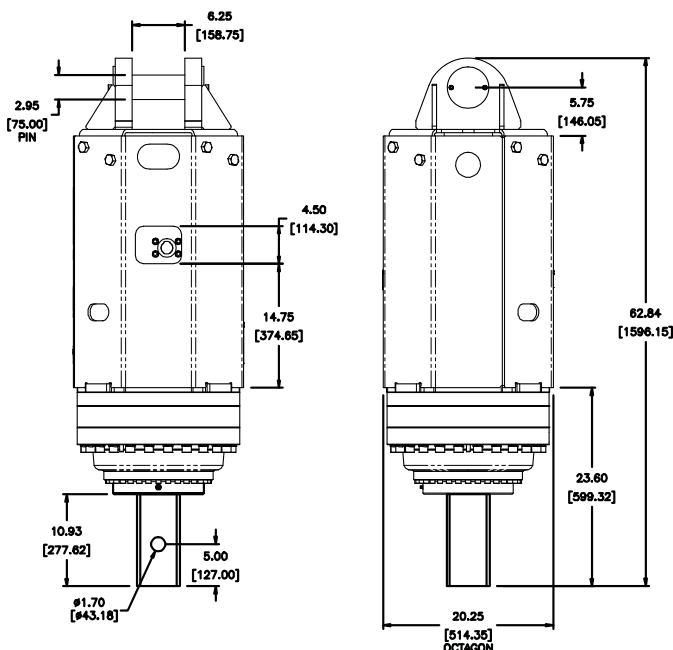


RT-40 | TWO SPEED

| PART NO. | APPLICATION | CONNECTION | EXCAVATOR |
|----------|-------------|------------|-----------|
| 610480 | ANCHOR | S-130mm | 20T-30T |

ACCESSORIES

| | |
|--------|----------------------------|
| 615001 | TruLink Class 2 4" Monitor |
| 615003 | TruLink Class 2 8" Monitor |
| 610202 | Link Arm 75mm |
| 660554 | Pin Assembly 75mm |



| TOTAL UNIT WEIGHT | 1440 LBS / 653 Kg |
|-------------------------------|--------------------------|
| HYDRAULIC MOTOR INFORMATION | |
| Displacement | 13.9 cu/in (227cc) |
| Motor Type | Two Speed Bi-Directional |
| Motor Output Shaft | 1-1/4" Spline 14T |
| Motor Mount | SAE - C 4 Bolt |
| Motor Ports | 1-5/8" - 12 UN-2B |
| Cross Over Pressure Relief | Set @ 3100 psi |
| PLANETARY GEARBOX INFORMATION | |
| Gearbox Type | Planetary Three Stage |
| Reduction Ratio | 90.39:1 |
| Output Shaft | 130mm Square |
| Oil Capacity | 3.7 Gallons |
| Oil Type | SAE 80W90 GL-5 |
| Shaft Pull Out (lbs.) | 60,000 lbs. |

| REFERENCE TORQUE CHART | | |
|------------------------|----------------------|---------------------|
| Pressure PSI (Bar) | High Torque (ft/lbs) | Low Torque (ft/lbs) |
| 1600 (110) | 21074 | 10537 |
| 1800 (124) | 23708 | 11854 |
| 2000 (137) | 26343 | 13171 |
| 2200 (151) | 28976 | 14488 |
| 2400 (165) | 31611 | 15806 |
| 2600 (179) | 34245 | 17122 |
| 2800 (193) | 36880 | 18439 |
| 3000 (206) | 39514 | 19757 |

| REFERENCE SPEED CHART | | |
|-----------------------|-----------------|------------------|
| Flow GPM (Liter) | Low Speed (rpm) | High Speed (rpm) |
| 20 (75) | 3 | 6 |
| 30 (113) | 4 | 9 |
| 40 (151) | 6 | 12 |
| 50 (190) | 7 | 15 |

Note: Revolution Drive units are not recommended for DTH and will not be covered under warranty for damage due to down the hole drilling.

Output speed and torque specifications are NOT listed at 100% efficiency. Maximum efficiencies have been applied to the torque and speed charts according to the manufacturer's recommendations. Speed and torque output are dependent on the overall system efficiencies associated with the prime movers hydraulic system. When the purchaser is determining criteria for specific applications please contact Pengo. Pengo has made every attempt to present accurate and suitable information published in this document. This document should be used for information and comparative purposes only. When application-specific information is required, please contact Pengo.

TWO SPEED MODELS MUST HAVE A MINIMUM OF 20GPM.

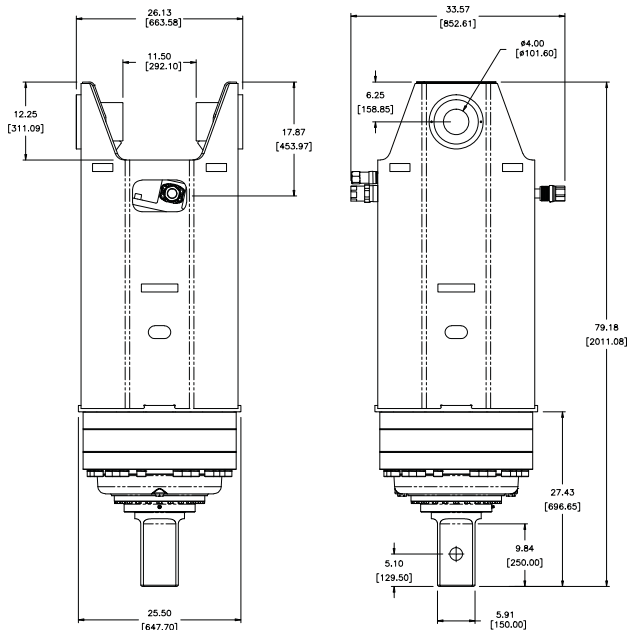


RV-70 | VARIABLE SPEED

| PART NO. | APPLICATION | CONNECTION | EXCAVATOR |
|----------|-------------|------------|-----------|
| 610063 | ANCHOR | S-150mm | 30T-40T |

ACCESSORIES

| | |
|--------|---|
| 615001 | TruLink Class 2 4" Monitor |
| 615003 | TruLink Class 2 8" Monitor |
| 615004 | TruLink Class 3 8" Monitor (3.967" pin) |
| 610202 | Link Arm 75mm |
| 660554 | Pin Assembly 75mm |



| TOTAL UNIT WEIGHT | 2850 LBS / 1292 Kg |
|-------------------------------|-------------------------------|
| HYDRAULIC MOTOR INFORMATION | |
| Displacement | 13.73 cu/in (225cc) |
| Motor Type | Variable Speed Bi-Directional |
| Motor Output Shaft | 13T 8/16 DP Spline |
| Motor Mount | SAE - D 4 Bolt |
| Motor Ports | Code 62 SAE Split Flange |
| Cross Over Pressure Relief | Not Equipped |
| PLANETARY GEARBOX INFORMATION | |
| Gearbox Type | Planetary Three Stage |
| Reduction Ratio | 126:1 |
| Output Shaft | 150mm Square |
| Oil Capacity | 9.2 Gallons |
| Oil Type | SAE 80W90 GL-5 |
| Shaft Pull Out (lbs.) | 100,000 lbs. |

| REFERENCE TORQUE CHART | | |
|------------------------|----------------------|---------------------|
| Pressure PSI (Bar) | High Torque (ft/lbs) | Low Torque (ft/lbs) |
| 2800 (193) | 55301 | 27638 |
| 2900 (200) | 57276 | 28625 |
| 3000 (206) | 59251 | 29612 |
| 3100 (213) | 61226 | 30599 |
| 3200 (220) | 63201 | 31586 |
| 3300 (227) | 65176 | 32573 |
| 3400 (234) | 67151 | 33560 |
| 3500 (241) | 69126 | 34547 |

| REFERENCE SPEED CHART | | |
|-----------------------|-----------------|------------------|
| Flow GPM (Liter) | Low Speed (rpm) | High Speed (rpm) |
| 70 (262) | 8 | 16 |
| 90 (337) | 10 | 21 |
| 110 (412) | 12 | 24 |
| 130 (487) | 14 | 29 |
| 150 (562) | 17 | 33 |

VARIABLE SPEED MODELS MUST HAVE A Drain LINE.

Note: Revolution Drive units are not recommended for DTH and will not be covered under warranty for damage due to down the hole drilling.

Output speed and torque specifications are NOT listed at 100% efficiency. Maximum efficiencies have been applied to the torque and speed charts according to the manufacturer's recommendations. Speed and torque output are dependent on the overall system efficiencies associated with the prime movers hydraulic system. When the purchaser is determining criteria for specific applications please contact Pengo. Pengo has made every attempt to present accurate and suitable information published in this document. This document should be used for information and comparative purposes only. When application-specific information is required, please contact Pengo.

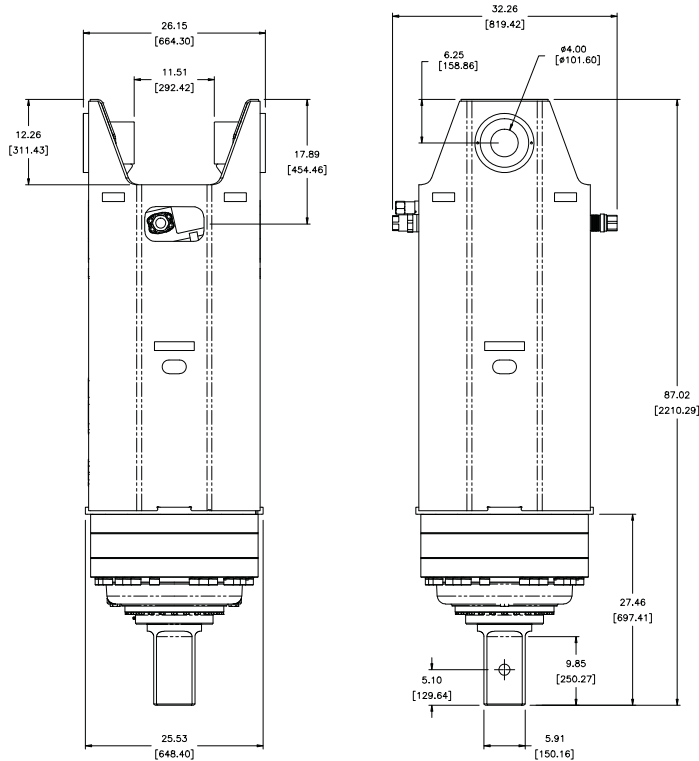


RV-100 | VARIABLE SPEED

| PART NO. | APPLICATION | CONNECTION | EXCAVATOR |
|----------|-------------|------------|-----------|
| 610064 | ANCHOR | S-177mm | 60T-90T |

ACCESSORIES

615004 TruLink Class 3 8" Monitor



| TOTAL UNIT WEIGHT | 3800 LBS / 1724 Kg |
|-------------------------------|-------------------------------|
| HYDRAULIC MOTOR INFORMATION | |
| Displacement | 13.73 cu/in (225cc) |
| Motor Type | Variable Speed Bi-Directional |
| Motor Output Shaft | 13T 8/16 DP Spline |
| Motor Mount | SAE - D 4 Bolt |
| Motor Ports | Code 62 SAE Split Flange |
| Cross Over Pressure Relief | Not Equipped |
| PLANETARY GEARBOX INFORMATION | |
| Gearbox Type | Planetary Four Stage |
| Reduction Ratio | 208.54:1 |
| Output Shaft | 177mm Square |
| Oil Capacity | 11.0 Gallons |
| Oil Type | SAE 80W90 GL-5 |
| Shaft Pull Out (lbs.) | 180,000 lbs. |

VARIABLE SPEED MODELS MUST HAVE A Drain LINE.

Note: Revolution Drive units are not recommended for DTH and will not be covered under warranty for damage due to down the hole drilling.

Output speed and torque specifications are NOT listed at 100% efficiency. Maximum efficiencies have been applied to the torque and speed charts according to the manufacturer's recommendations. Speed and torque output are dependent on the overall system efficiencies associated with the prime movers hydraulic system. When the purchaser is determining criteria for specific applications please contact Pengo. Pengo has made every attempt to present accurate and suitable information published in this document. This document should be used for information and comparative purposes only. When application-specific information is required, please contact Pengo.

| REFERENCE TORQUE CHART | | |
|------------------------|----------------------|---------------------|
| Pressure PSI (Bar) | High Torque (ft/lbs) | Low Torque (ft/lbs) |
| 2800 (193) | 88334 | 44167 |
| 2900 (200) | 91489 | 45744 |
| 3000 (206) | 94644 | 47322 |
| 3100 (213) | 97799 | 48899 |
| 3200 (220) | 100954 | 50477 |
| 3300 (227) | 104108 | 52054 |
| 3400 (234) | 107263 | 53631 |
| 3500 (241) | 110418 | 55209 |

| REFERENCE SPEED CHART | | |
|-----------------------|-----------------|------------------|
| Flow GPM (Liter) | Low Speed (rpm) | High Speed (rpm) |
| 70 (262) | 5 | 9 |
| 90 (337) | 6 | 12 |
| 110 (412) | 7 | 15 |
| 130 (487) | 9 | 17 |
| 150 (562) | 10 | 20 |



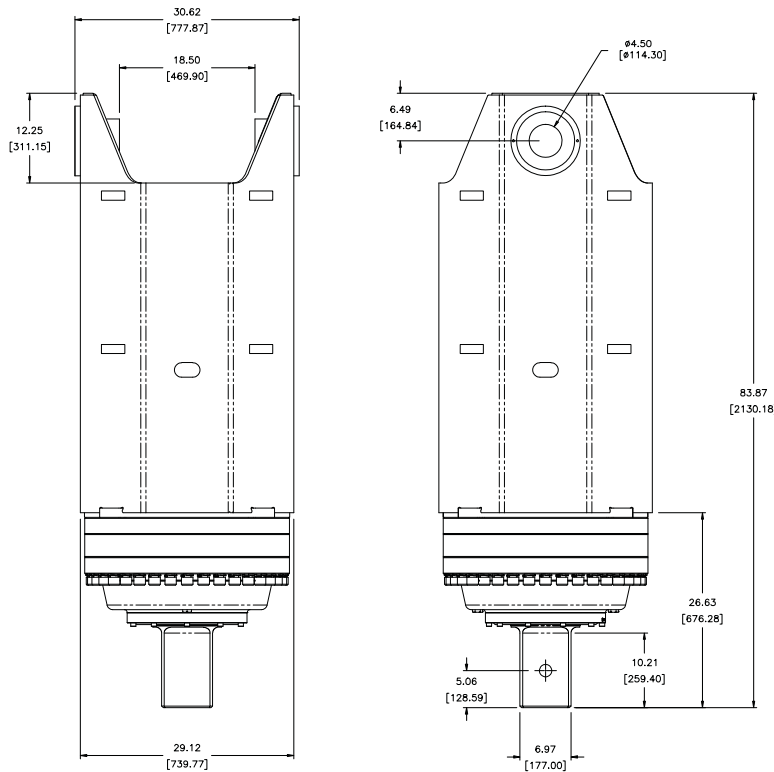
RV-140 | VARIABLE SPEED



| PART NO. | APPLICATION | CONNECTION | EXCAVATOR |
|----------|-------------|------------|-----------|
| 610065 | ANCHOR | S-177mm | 90T-150T |

ACCESSORIES

615005 TruLink Class 4 8" Monitor



| TOTAL UNIT WEIGHT | |
|-------------------------------|-------------------------------|
| 4000 LBS / 1814 Kg | |
| HYDRAULIC MOTOR INFORMATION | |
| Displacement | 13.73 cu/in (225cc) |
| Motor Type | Variable Speed Bi-Directional |
| Motor Output Shaft | 13T 8/16 DP Spline |
| Motor Mount | SAE - D 4 Bolt |
| Motor Ports | Code 62 SAE Split Flange |
| Cross Over Pressure Relief | Not Equipped |
| PLANETARY GEARBOX INFORMATION | |
| Gearbox Type | Planetary Four Stage |
| Reduction Ratio | 265.64:1 |
| Output Shaft | 177mm Square |
| Oil Capacity | 11 Gallons |
| Oil Type | SAE 80W90 GL-5 |
| Shaft Pull Out (lbs.) | 250,000 lbs. |

| REFERENCE TORQUE CHART | | |
|------------------------|----------------------|---------------------|
| Pressure PSI (Bar) | High Torque (ft/lbs) | Low Torque (ft/lbs) |
| 2800 (193) | 112521 | 56260 |
| 2900 (200) | 116540 | 58270 |
| 3000 (206) | 120559 | 60279 |
| 3100 (213) | 124577 | 62288 |
| 3200 (220) | 128596 | 64298 |
| 3300 (227) | 132614 | 66307 |
| 3400 (234) | 136633 | 68316 |
| 3500 (241) | 140652 | 70326 |

| REFERENCE SPEED CHART | | |
|-----------------------|-----------------|------------------|
| Flow GPM (Liter) | Low Speed (rpm) | High Speed (rpm) |
| 70 (262) | 4 | 7 |
| 90 (337) | 5 | 9 |
| 110 (412) | 6 | 12 |
| 130 (487) | 7 | 14 |
| 150 (562) | 8 | 16 |

VARIABLE SPEED MODELS MUST HAVE A DRAIN LINE.

Note: Revolution Drive units are not recommended for DTH and will not be covered under warranty for damage due to down the hole drilling.

Output speed and torque specifications are NOT listed at 100% efficiency. Maximum efficiencies have been applied to the torque and speed charts according to the manufacturer's recommendations. Speed and torque output are dependent on the overall system efficiencies associated with the prime movers hydraulic system. When the purchaser is determining criteria for specific applications please contact Pengo. Pengo has made every attempt to present accurate and suitable information published in this document. This document should be used for information and comparative purposes only. When application-specific information is required, please contact Pengo.

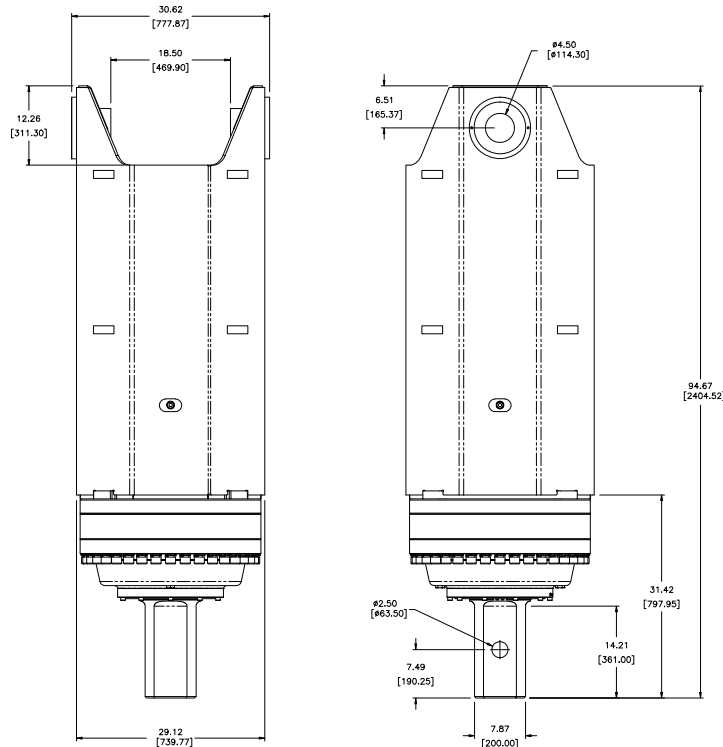


RV-200 | VARIABLE SPEED

| PART NO. | APPLICATION | CONNECTION | EXCAVATOR |
|----------|-------------|------------|-----------|
| 610547 | ANCHOR | S-200mm | 90T-150T |

ACCESSORIES

615005 TruLink Class 4 8" Monitor



| TOTAL UNIT WEIGHT | 5000 LBS / 2267 Kg |
|-------------------------------|-------------------------------|
| HYDRAULIC MOTOR INFORMATION | |
| Displacement | 13.73 cu/in (225cc) |
| Motor Type | Variable Speed Bi-Directional |
| Motor Output Shaft | 13T 8/16 DP Spline |
| Motor Mount | SAE - D 4 Bolt |
| Motor Ports | Code 62 SAE Split Flange |
| Cross Over Pressure Relief | Not Equipped |
| PLANETARY GEARBOX INFORMATION | |
| Gearbox Type | Planetary Four Stage |
| Reduction Ratio | 400:1 |
| Output Shaft | 200mm Square |
| Oil Capacity | 16.25 Gallons |
| Oil Type | SAE 80W90 GL-5 |
| Shaft Pull Out (lbs.) | 300,000 lbs. |

VARIABLE SPEED MODELS MUST HAVE A Drain LINE.

Note: Revolution Drive units are not recommended for DTH and will not be covered under warranty for damage due to down the hole drilling.

Output speed and torque specifications are NOT listed at 100% efficiency. Maximum efficiencies have been applied to the torque and speed charts according to the manufacturer's recommendations. Speed and torque output are dependent on the overall system efficiencies associated with the prime movers hydraulic system. When the purchaser is determining criteria for specific applications please contact Pengo. Pengo has made every attempt to present accurate and suitable information published in this document. This document should be used for information and comparative purposes only. When application-specific information is required, please contact Pengo.

| REFERENCE TORQUE CHART | | |
|------------------------|----------------------|---------------------|
| Pressure PSI (Bar) | High Torque (ft/lbs) | Low Torque (ft/lbs) |
| 2800 (193) | 169434 | 84717 |
| 2900 (200) | 175486 | 87743 |
| 3000 (206) | 181537 | 90768 |
| 3100 (213) | 187588 | 93794 |
| 3200 (220) | 193639 | 96819 |
| 3300 (227) | 199691 | 99845 |
| 3400 (234) | 205742 | 102871 |
| 3500 (241) | 211793 | 105896 |

| REFERENCE SPEED CHART | | |
|-----------------------|-----------------|------------------|
| Flow GPM (Liter) | Low Speed (rpm) | High Speed (rpm) |
| 70 (262) | 2 | 5 |
| 90 (337) | 3 | 6 |
| 110 (412) | 4 | 8 |
| 130 (487) | 5 | 9 |
| 150 (562) | 5 | 10 |



ACCESSORIES | LINK ARMS and PINS

| ITEM DESCRIPTION | PART NO. |
|---------------------------|----------|
| Link Arm 45mm (shown) | 660555 |
| Link Arm 75mm | 610202 |
| Pin Assembly 45mm (shown) | 660558 |
| Pin 75mm | 660554 |



ACCESSORIES | FLANGE ADAPTERS

| ITEM DESCRIPTION | PART NO. |
|--------------------------|----------|
| H-250 Hex Flange Adapter | 660947 |
| H-300 Hex Flange Adapter | 660949 |
| S-400 Hex Flange Adapter | 660951 |

ACCESSORIES | DRIVE TOOLS

| DRIVE | SHAFT | PART NO. |
|-------|------------|----------|
| DS-2 | 2" Hex | 158136 |
| DS-3 | 2" Hex | 158136 |
| DT-5 | 2 1/2" Hex | 158132 |
| DT-15 | 3" Hex | 158137 |
| RS-7X | 2" Hex | 158136 |
| RS-7 | 2" Hex | 158136 |
| RS-12 | 2 1/2" Hex | 158132 |
| RT-9 | 2 1/2" Hex | 158132 |

| DRIVE | SHAFT | PART NO. |
|--------|--------------|----------|
| RT-12 | 2 1/2" Hex | 158132 |
| RT-20 | 3" Hex | 158137 |
| RT-30 | 4" Square | 660951 |
| RT-40 | 130mm Square | 610301 |
| RV-70 | 150mm Square | 610302 |
| RV-100 | 177mm Square | 610303 |
| RV-140 | 177mm Square | 610303 |
| RV-200 | 200mm Square | 610304 |

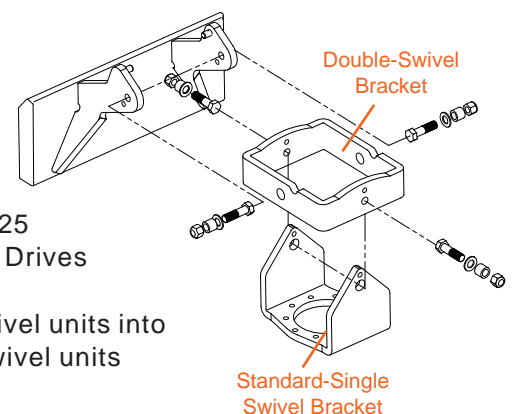
FEATURES

- Converts RS-7X Planetary Drive to RS-7 Planetary Drive
- With bail kit and mount the RS-7X drive can be used with skid steer, also will work with mini excavator and mini digger derricks



FEATURES

- For Use with MS-100 and MS-125 Planetary Drives
- Convert single-swivel units into double-swivel units



ACCESSORIES | RS-7X BAIL ASSEMBLY

| ITEM DESCRIPTION | PART NO. |
|----------------------------|----------|
| Bail Assembly Kit for RS-7 | 610288 |

ACCESSORIES | SWIVEL BRACKET

| ITEM DESCRIPTION | PART NO. |
|-----------------------|----------|
| Double Swivel Bracket | 700215 |

Information Disclaimer: Pengo has made every attempt to present accurate and suitable information published in this catalog. This catalog should be used for information and comparative purposes only. When application specific information is required, please contact Pengo at 1-800-599-0211. Pengo continually looks for new ways to improve its products. Therefore, Pengo reserves the right to make changes to our products and specifications without notice.

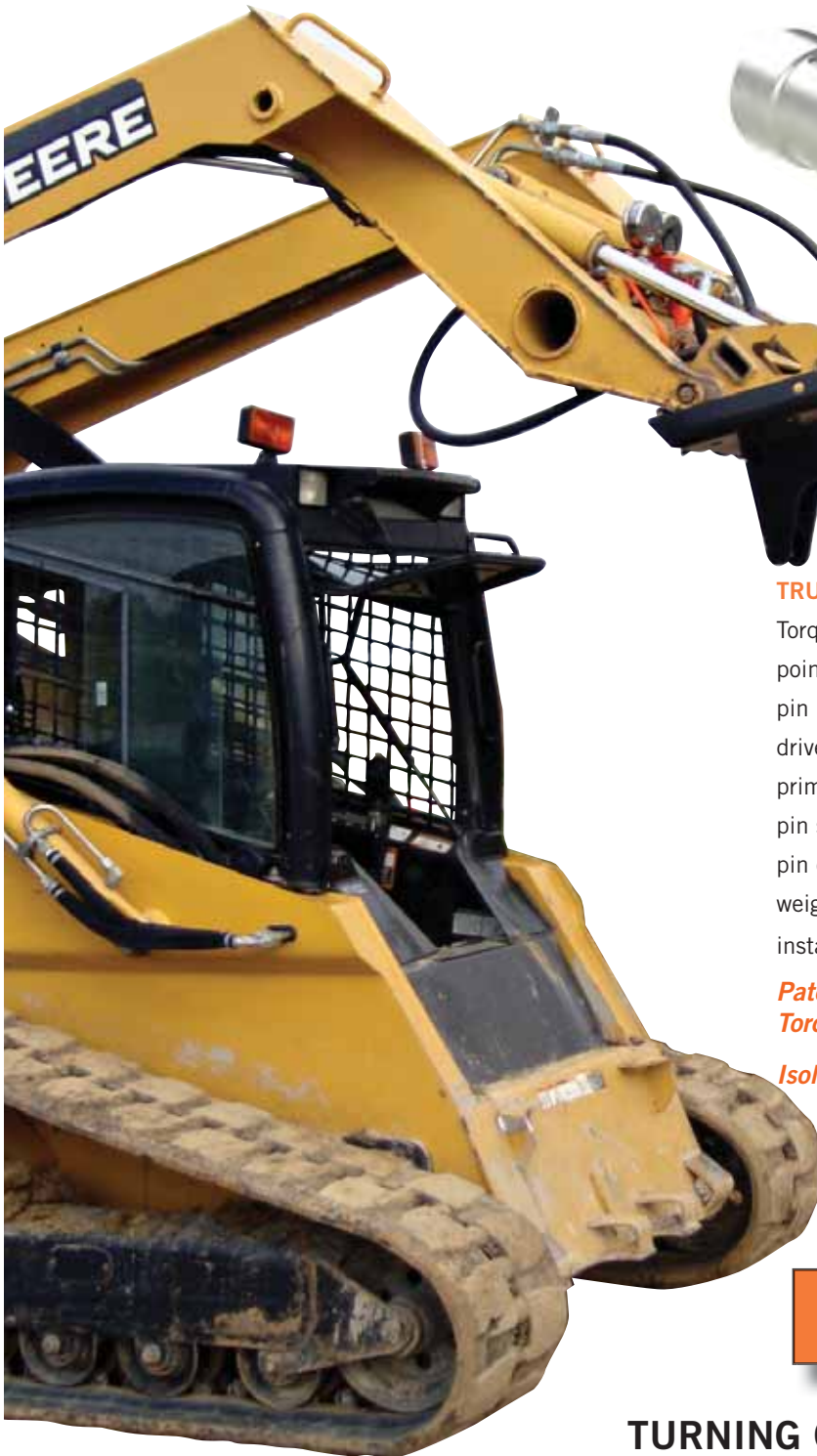


TRULINK

TORQUE MONITOR™

We're Breaking New
Ground with the All New
TruLink Torque Monitor!

A revolutionary new approach
to collecting installation data associated
with helical pier projects.



TRULINK™ PIN:

Torque is measured at two points within the connection pin located between the anchor drive attachment and the prime mover. The TruLink™ pin simply replaces the OEM pin ensuring that no additional weight or height is added to the installation equipment.

*Patent Pending
Torque Sensing Capability*

Isolates Torque Values Only

**Provides the Productivity and Accuracy
You Deserve on the Jobsite!**

TURNING CHALLENGES INTO SOLUTIONS!



TRULINK

TORQUE MONITOR™

The TruLink™ Torque Monitor system offers true torque readings that deliver a high degree of accuracy (+/- 2%) while providing the operator with real time data. TruLink™ records actual torque being applied to the helical pile, the installation angle and the depth. Unlike other torque monitoring systems available, TruLink isolates torque values only. Downward and side load forces are omitted ensuring the data is clean.



- Replaces Connection Pin
 - No Added Weight or Height or Loss of Stroke
- Built-in Inclinometer Allows Operator to Maintain a Consistent Angle of Insertion
- All Data is Recorded Within the Display
 - No Laptop Required to Extract Data
- Downward (perpendicular) Force is Omitted with Patent Pending Technology
 - Isolating Torque Values
- Strain Gage Technology
 - Not "Inferred" or Calculated as With Hydraulic Systems
- Hard Wired Connection
 - Eliminates Interference and Signal Issues Encountered with Wireless Systems
- Ability to Chart and Record Depth for Each Pile



- 4" or 8" Easy to Read, Touch Screen Display
- Displays Time/Date, Torque, Depth and Pile Number
- Easily Mounts Inside Operators Cab
- ip67 Display Housing
 - Rugged, Weatherproof and Shock-Resistant
- Simple Power Supply
 - Adapter uses Auxiliary Power Port, Cigarette Lighter

| DESCRIPTION | Screen Size | Pin Dia. | Max Torq | PART NO. |
|-------------|-------------|----------|----------------|----------|
| TL4-C1 | 4" | 45mm | 22500 (ft/lb) | 615000 |
| TL4-C2 | 4" | 75mm | 69126 (ft/lb) | 615001 |
| TL8-C1 | 8" | 45mm | 22500 (ft/lb) | 615002 |
| TL8-C2 | 8" | 75mm | 69126 (ft/lb) | 615003 |
| TL8-C3 | 8" | 3.967" | 110418 (ft/lb) | 615004 |
| TL8-C4 | 8" | 4.5" | 211790 (ft/lb) | 615005 |

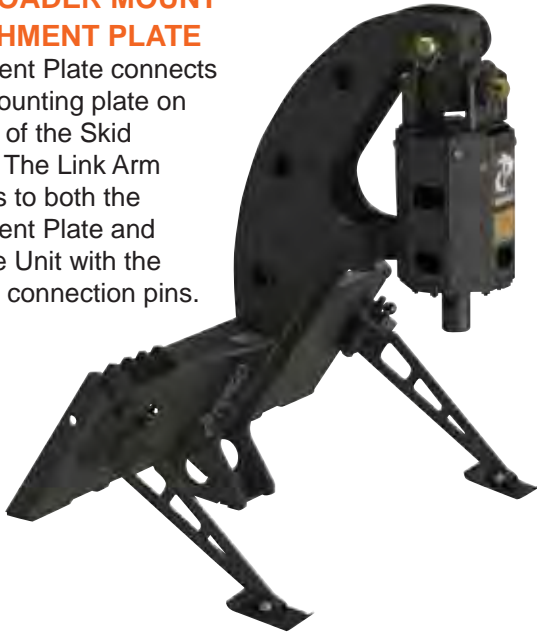


DRIVE MOUNTS | Universal Skid Loader Mount

| ITEM DESCRIPTION | PART NO. |
|---------------------------------|----------|
| Long Reach Universal Skid Mount | 661318 |

SKID LOADER MOUNT ATTACHMENT PLATE

Attachment Plate connects to the mounting plate on the front of the Skid Loader. The Link Arm connects to both the Attachment Plate and the Drive Unit with the supplied connection pins.



Mount shown with DS-2 Drive.

| ITEM DESCRIPTION | PART NO. |
|---------------------------------|----------|
| Universal Skid Mount - Standard | 661111 |

SKID LOADER MOUNT ATTACHMENT PLATE

Attachment Plate connects to the mounting plate on the front of the Skid Loader. The Link Arm connects to both the Attachment Plate and the Drive Unit with the supplied connection pins.



Mount shown with DS-2 Drive.

DRIVE MOUNTS | Backhoe Loader / Excavator Mount

| ITEM DESCRIPTION | PART NO. |
|-------------------|----------------|
| End of Boom Mount | Model Specific |

EXCAVATOR / BACKHOE END OF BOOM MOUNT

Mounting Bracket connects directly to the boom with the customer supplied connection pin. The Drive Unit connects to the Mounting Bracket with the supplied connection pin.



| ITEM DESCRIPTION | PART NO. |
|---------------------|----------------|
| Quick Coupler Mount | Model Specific |

EXCAVATOR / BACKHOE QUICK COUPLER MOUNT

Mounting Bracket connects to the quick coupler when the jaws of the quick coupler engage the pins on the Mounting Bracket. The Link Arm connects to both the Mounting Bracket and the Drive Unit with the supplied connection pins.





DRIVE MOUNTS | Examples

Skid Loader Mounting System

- o Provides maximum ground clearance of 7' to 11' depending model selected.
- o Increases height capability so drillers can use longer auger bits and anchor installers can use longer sections.
- o Unique design optimizes the operators visibility by positioning the Drive up to 48" from the front of the skid loader.
- o Standard retractable stabilizer arms allow the Drive attachment to stand upright when not in use. Improves ability to store, transport and attach to the skid loader.
- o Designed to be used with up to a 12,000 ft/lb Drive.



Long reach skid mount used to install helical anchors.



Excavator quick coupler mount used with DT-15 Drive and auger.

Excavator Mounting System

- o Complete mounting system for all sizes of excavators.
- o Mounts can mount directly to the boom or be designed to work with an existing quick coupler.
- o Excavator mounts allow for maximum movement to ensure the Drive always hangs true to the ground.
- o Custom mounts can be designed for specific applications.
- o Mounts are available for the entire range of Drives offered by PENGO.

REVOLUTION
SERIES



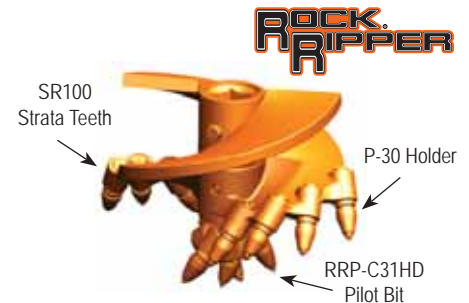
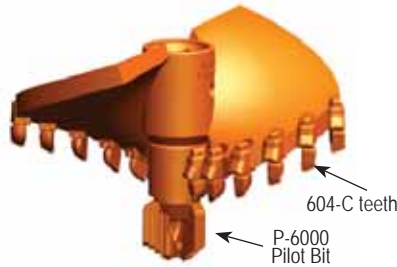
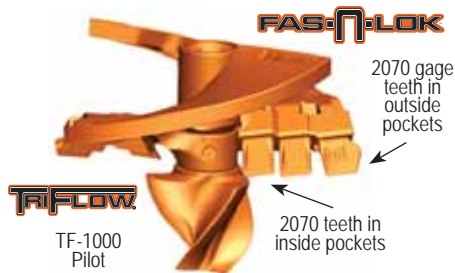
EXCAVATOR AUGERS | Quick Change System

FLIGHT BODIES | 5', 10' or 20'

| DESC. | DIA. | 5' P/N | 10' P/N | 20' P/N |
|--------|------|--------|---------|---------|
| FEX-16 | 16 | 165442 | 165450 | 165451 |
| FEX-18 | 18 | 165443 | 165452 | 165453 |
| FEX-20 | 20 | 165444 | 165454 | 165455 |
| FEX-24 | 24 | 165445 | 165456 | 165457 |
| FEX-30 | 30 | 165446 | 165458 | 165459 |
| FEX-36 | 36 | 165447 | 165460 | 165461 |
| FEX-42 | 42 | 165448 | 165462 | 165463 |
| FEX-48 | 48 | 165449 | 165464 | 165465 |



No need to carry two augers, use one Quick Change flight body with multiple interchangeable heads.



OPTION 1 | Carbide & Dirt Heads

| DESC. | DIRT P/N | CARBIDE P/N |
|-----------|----------|-------------|
| POEXDH-16 | 165470 | 165471 |
| POEXDH-18 | 165472 | 165473 |
| POEXDH-20 | 165474 | 165475 |
| POEXDH-24 | 165476 | 165477 |
| POEXDH-30 | 165478 | 165479 |
| POEXDH-36 | 165480 | 165481 |
| POEXDH-42 | 165482 | 165483 |
| POEXDH-48 | 165484 | 165485 |

OPTION 2 | Spiral Rock Heads

| DESC. | PART NO. |
|------------|----------|
| POEXSRH-16 | 165490 |
| POEXSRH-18 | 165492 |
| POEXSRH-20 | 165494 |
| POEXSRH-24 | 165496 |
| POEXSRH-30 | 165498 |
| POEXSRH-36 | 165500 |
| POEXSRH-42 | 165502 |
| POEXSRH-48 | 165504 |

OPTION 3 | Rock Ripper® Heads

| DESC. | PART NO. |
|------------|----------|
| POEXRRH-16 | 165510 |
| POEXRRH-18 | 165512 |
| POEXRRH-20 | 165514 |
| POEXRRH-24 | 165516 |
| POEXRRH-30 | 165518 |
| POEXRRH-36 | 165520 |
| POEXRRH-42 | 165522 |
| POEXRRH-48 | 165524 |

PARTS | Teeth & Holders

| | |
|----------------------------|--------|
| 2070 Dirt Fas-N-Lok™ | 140000 |
| 1076 Carbide | 140255 |
| 2077 Carbide Fas-N-Lok™ | 140003 |
| 2078 Carbide Gage | 140004 |
| 2079 Carbide Fas-N-Lok™ | 140001 |
| 604-C Carbide Faced Tooth | 140065 |
| SR100 Strata Conical Tooth | 850023 |
| P30 Bullet Tooth Holder | 990001 |
| 1604 Holder | 157000 |

PARTS | Pilot Bits and Holders

| | |
|---------------------------|--------|
| TF-1000 Triflow Pilot Bit | 137345 |
| P-6000 Carbide Pilot Bit | 151275 |
| C31HD Pilot Bit Assembly | 135936 |

Pilot Bit Assemblies include, pilot, nuts, bolts and teeth if applicable.



Take Your Drilling to New Depths with STRATA Drilling Grade Carbide Teeth!

The improved grade of carbide in all STRATA teeth increases the life cycle of the tooth, meaning less down time and increased productivity!

PARTS

PRODUCT CATALOG

PARTS



LET'S BREAK GROUND TOGETHER



www.pengoattachments.com | 800.599.0211

powerful construction attachments

Parts Catalog

PILOT BITS | UTILITY



TRIFLOW® 600

Dirt Pilot Bit

- Patented Pilot Bit
- Three-fluted design for longer wear
- For use with MD Dirt and Quick Change Augers

Use 141-L Pilot Bit Adapter

LBS 8.5

PN 137357



TRIFLOW® 600

Dirt Pilot Bit with 1 3/4" Stem

- Patented Pilot Bit
- Three-fluted design for longer wear
- MD Dirt and Quick Change Augers

LBS 16

PN 137331

Use 1.75 SQ Pilot Bit Adapter

PN 151593 4.23 lbs.



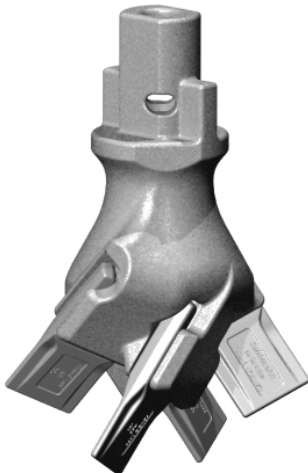
P-6000

Dirt Pilot Bit

- For use with MD Step Rock and Quick Change Augers in Solid, Non-Fracturable Rock

LBS 8

PN 151275



P-1650

Dirt Pilot Bit Assembly

- For use with MD Dirt and Quick Change Augers

Includes:

- 2 - 1851 Fas-N-Lok® Teeth
- 2 - 1652 Dirt Gage Fas-N-Lok® Teeth
- 1 ea. - G5 1/2-14 Hex Bolt and Nut

LBS 20

PN 131726



P-1656

Pilot Bit Assembly

- For use with MD Augers in High Abrasion, Frozen Soil with Low Impact

Includes:

- 2 - 1658 Fas-N-Lok® Teeth
- 2 - 1656 Dirt Gage Fas-N-Lok® Teeth
- 1 ea. - G5 1/2-14 Hex Bolt and Nut

LBS 24

PN 131727



RCP-6.5

Pilot Bit Assembly

- For use with MD Augers in Fracturable Rock

Includes:

- 5 - SR-86 Bullet Teeth
- 1 - PC-387 Bullet Tooth
- 1 - CP-18 Center Point
- 1 ea. - G5 1/2-13 Hex Bolt and Nut

Use Center Point 16 (132524)

or 18 (151272)

LBS 18

PN 132116

PILOT BITS | UTILITY



5.5-TCH-171L Pilot

Tungsten Carbide Head
Pilot Bit Assembly
- For use with MD Step Rock Augers
- Solid, Non-fracturable rock

Includes:

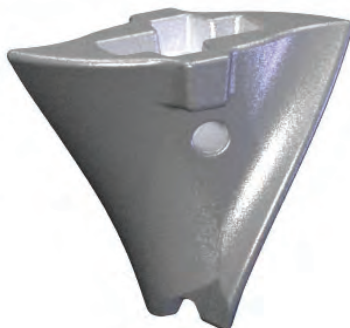
1 ea. - G5 1/2-16 Hex Bolt and Nut

LBS 6.1

PN 199223

Additional TCH Pilots:

6.5-TCH-171L (bit only) 8.3 lbs. PN 151520
8.5-TCH-171L (bit only) 9.9 lbs. PN 151550
9.5-TCH-171L 11 lbs. PN 133270



FH-205

Screw Bit Pilot Assembly
- For use with MD Dirt and Quick Change Augers
- Abrasive, Frozen Soil with Low Impact

Includes:

1 ea. - G5 3/8-16 Hex Bolt and Nut

LBS 2.68

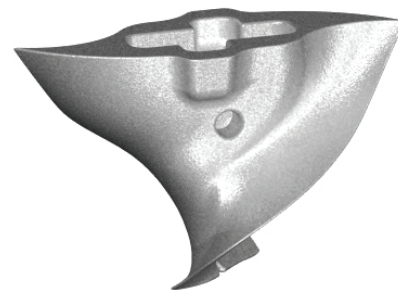
PN 157382

Additional FH-205 Pilots:

FH-205C 2.1 lbs. PN 132260
FH-205CXC 2.1 lbs. PN 132825
FH-205HF 2.1 lbs. PN 137275
FH-205HFTC 3.7 lbs. PN 133264
FH-205HFF 3 lbs. PN 132201

Use PA-183-L Pilot Bit Adapter

PN 151110 7.93 lbs.



SB-50

Screw Bit Pilot Assembly
- For use with MD Dirt Augers
- Abrasive, Frozen Soil with Low Impact

Includes:

1 ea. - G5 1/2-16 Hex Bolt and Nut

Use PA-183-L Pilot Bit Adapter

LBS 3.4

PN 131728

Additional Screw Bit Pilots:

SB-50C 3.4 lbs. PN 131751
SB-50HF 3.6 lbs. PN 132937
SB-50HFTC 3.1 lbs. PN 132624
SB-60 4.4 lbs. PN 132029
SB-60C 4.6 lbs. PN 132803
SB-60CXC 4.6 lbs. PN 133252
SB-60HF 4.6 lbs. PN 133251
SB-60HFTC 5.5 lbs. PN 133254
SB-70 4.5 lbs. PN 132185
SB-70C 4.8 lbs. PN 132368
SB-70HFTC 4.6 lbs. PN 133256
SB-80 5.5 lbs. PN 132198
SB-80C 5.4 lbs. PN 132638
SB-80HF 5.4 lbs. PN 133257
SB-90 5.8 lbs. PN 132552
SB-90CXC 5.8 lbs. PN 133261
SB-90HF 5.5 lbs. PN 132898
SB-90HFTC 5.8 lbs. PN 133271
SB-100 6.3 lbs. PN 132363
SB-100C 6.2 lbs. PN 132903
SB-100HFTC (bit only) 6.3 lbs. PN 151302

SIZE GUIDE:

50 = 5", 60 = 6", 70 = 7", 80 = 8", 90 = 9", and 10 = 10"

RR-1.75Q ROCK RIPPER®

Rock Pilot Bit Assembly
- Patented Rock Pilot for Rock Ripper Augers
- Features NEW Strata SR76SW Teeth
- Use in Hard Rock Applications

Includes:

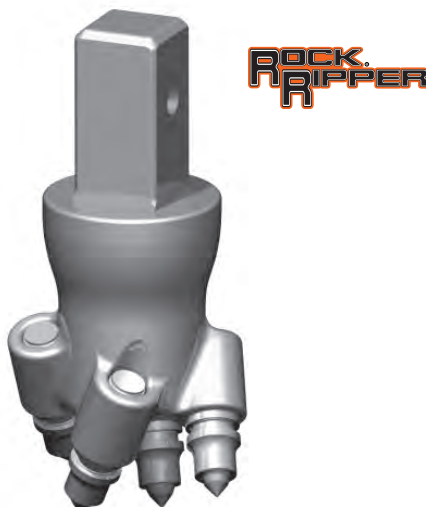
4 - SRL08 Bullet Teeth
OPTION: 4 - SR-76SW Bullet Teeth
1 ea. - G5 1/2-13 Hex Bolt and Nut

LBS 15

PN 137208

Additional Rock Ripper Pilots:

RR-API/C20 17 lbs. PN 157406



PILOT BITS | CONSTRUCTION



TRIFLOW

TRIFLOW® 350

Dirt Pilot Bit

- Patented Pilot Bit
- Three-fluted design for longer wear
- For use with Pengo AGGRESSOR, TriMax and Ag Max Augers

Does not include Hex Bolt/Nut

LBS 5

PN 135088



SB-25

Screw Bit Pilot Bit Assembly

- Use with CS Augers
- Abrasive, Frozen Soil with Low Impact
- Use PA-183-L Pilot Bit Adapter

Includes:

1 ea. G5 5/16 Hex Bolt and Nut

LBS .6

PN 131740



ROCK RIPPER

RRP-1.75 SQ

Rock Ripper® Pilot Bit Assembly

- Patented Rock Pilot for Rock Ripper Augers
- Features NEW Strata SR76 Teeth
- Use in Hard Rock Applications

Includes:

4 - SRL08 Bullet Teeth

1 ea. - G5 1/2-13 Hex Bolt and Nut

LBS 15

PN 137208

Use 1.75 SQ Pilot Bit Adapter

PN 137203 4.23 lbs.



375-TCH-171

Screw Bit Pilot

- Use with Step Rock Auger
- Abrasive, Frozen Soil with Low Impact

LBS 5.1

PN 132173



SB-35 175

Screw Bit Pilot

- Use with AG AGGRESSOR
- Abrasive, Frozen Soil with Low Impact

LBS 3.9

PN 151318

Screw Bit Pilots

| | | |
|-----------|----------|-----------|
| SB-25C | .6 lbs. | PN 132135 |
| SB-25CXC | .9 lbs. | PN 132758 |
| SB-25HF | 1.5 lbs. | PN 132266 |
| SB-25HFTC | 1.4 lbs. | PN 132590 |
| SB-30 | 1.4 lbs. | PN 131766 |
| SB-30CXC | 1.5 lbs. | PN 131765 |
| SB-30HF | 1.6 lbs. | PN 132359 |
| SB-30HFTC | 1.6 lbs. | PN 133250 |
| SB-35 | 1.2 lbs. | PN 133402 |
| SB-35C | 1.2 lbs. | PN 133403 |
| SB-35HF | 2.1 lbs. | PN 133405 |
| SB-35HFTC | 2.8 lbs. | PN 133406 |
| SB35SQ | 2.8 lbs. | PN 136809 |
| SB35SQ HF | 4 lbs. | PN 136816 |
| SB-45 | 3.0 lbs. | PN 133407 |
| SB-45C | 3.1 lbs. | PN 133408 |
| SB-45HF | 3.2 lbs. | PN 133410 |
| SB-45HFTC | 3.2 lbs. | PN 133411 |

HF = Hard-faced
Hardfaced dirt teeth and pilot are for use in abrasive soil.

C = Carbide Tipped
Carbide tipped dirt pilots are for use in highly abrasive soil and frozen ground.

CXC = Carbide
Carbide dirt teeth and pilot are for use in highly abrasive soil and frozen ground.

HFTC = Hard-faced Carbide
Hardfaced Tungsten Carbide dirt teeth and pilot are for use inabrasive and high impact soil.

PILOT BITS | FOUNDATION



TRIFLOW® 1000
Dirt Pilot Bit Assembly
- Patented Pilot Bit
- Three-fluted design for longer wear
- 2 1/2" Square Stem

Includes:
1 ea. - G5 3/4-10 Hex Bolt and Nut

LBS 43

PN 137348



B47-10
Rock Pilot Bit Assembly
- 4" Square Stem
- Features the New STRATA SR122 Conical Teeth

Includes:
4 - SR-122 Bullet Teeth
1 - G8 1-8 Hex Bolt
1 - G5 1-8 Hex Nut

LBS 72

PN 135965

Additional B47 Pilots:
B47-HF 2.5 Stem
78 lbs. PN 159216



C31HD-8.5
Rock Pilot Bit Assembly
- 2 1/2" Square Stem

Includes:
4 - STRATA SR100 Conical Teeth
1 ea. - G5 3/4-10 pin and washer
For use with 1" Single Row, Double Row, Combo Drilling Bucket and Pressure Augers in Rock

LBS 30

PN 135913

Additional C31HD Pilots:
C31HD 8.5 HF (pin/washer)
33 lbs. PN 135939
C31HD 8.5 (nut/bolt)
35 lbs. PN 135912



SD-60-175
Pilot Bit Assembly
- 2-Fluted Pilot

LBS 15

PN 135983

Use 1.75 SQ Pilot Bit Adapter
PN 151593 4.23 lbs.



C4-1HF
Rock Pilot Bit Assembly
- 2 1/2" Square Stem

Includes:
4 - STRATA SR104 Conical Teeth
1 ea. - G5 3/4-10 Hex Bolt and Nut

LBS 30

PN 135971



S-250
2 1/2" Square Pilot Bit Adapter
- Use with TF-1000 Pilot
- 2.5" X 6" OD

LBS 18

PN 151598

S-400 43 lbs. PN 135904
4" Square Pilot Bit Adapter
- Use with B47-10 Pilot
- 4" X 8" OD

HF = Hard-faced
Hardfaced dirt teeth and pilot are for use in abrasive soil.

C = Carbide Tipped
Carbide tipped dirt pilots are for use in highly abrasive soil and frozen ground.

CXC = Carbide
Carbide dirt teeth and pilot are for use in highly abrasive soil and frozen ground.

HFTC = Hard-faced Carbide
Hardfaced Tungsten Carbide dirt teeth and pilot are for use inabrasive and high impact soil.

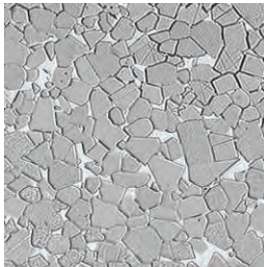
STRATA DRILLING GRADE CARBIDE

The STRATA Proprietary Drilling Grade Teeth are Made Especially for the Drilling Industry!

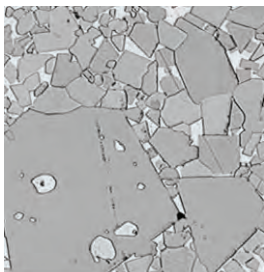
The Improved Grade of Carbide in All Strata Teeth Increases The Life Cycle of The Tooth

Less Down Time
Means Increased
Production and
Productivity!

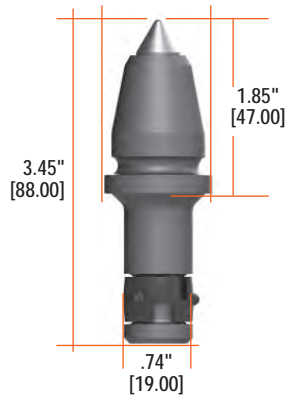
All STRATA conical tools are manufactured in the USA!



Strata Series Carbide Grain Structure



Conventional Carbide Grain Structure



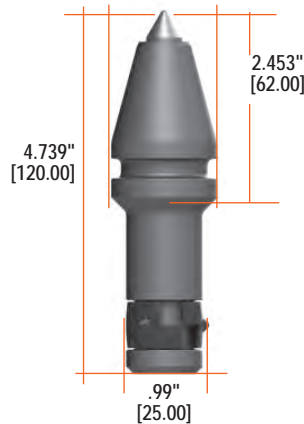
SR-74

- Conical Tooth
- .74" Shank Diameter
 - New Carbide Angle for Increased Penetration
 - Improved Carbide Grade

PN 850027

| POCKET | LBS | BUCKET QTY. |
|--------|-----|-------------|
| P20 | .65 | 65 |

1.375" [35.00]

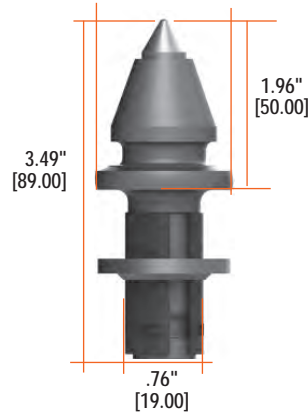


SR-100

- Conical Tooth
- 1" Shank Diameter
 - Carbide Angle for Increased Penetration
 - New Carbide Grade

PN 850023

| POCKET | LBS | BUCKET QTY. |
|------------|-----|-------------|
| P30 & P30F | 1.1 | 35 |



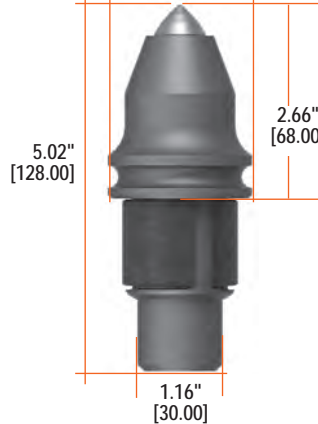
SR-76SW

- Conical Tooth
- .76" Shank Diameter
 - Sleeve Washer
 - New Carbide Angle
 - Use with PENGO's Rock Ripper Augers

PN 850035

| POCKET | LBS | BUCKET QTY. |
|--------|-----|-------------|
| P10 | .56 | 50 |

1.97" [50.00]



SR-122

- Conical Tooth
- Step Shank
 - New Carbide Grade

PN 850034

| POCKET | LBS | BUCKET QTY. |
|--------|-----|-------------|
| P4 | 2.6 | 10 |

Hear What Our Customers Are Saying!

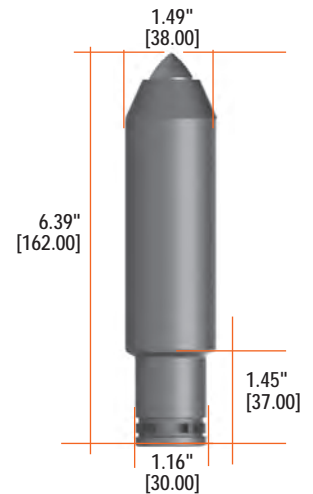
We were using a competitor brand and every 15 minutes they were coming out of the hole, teeth were shot, flat on one side, our total depth achieved was 2-3".

After 30 minutes of using the SR74 teeth we did not really see a tremendous slow down in production, however since it had been so long we took the core barrel out of the hole to check the teeth. We saw some flat spotting, but truly the teeth did not necessarily need to be changed, plus we had advanced a total of 12"!

BRUCE MURPHY, VICE PRESIDENT

Drilling Service

Bridgeton, Missouri
Using 54" Core Barrel on a Watson 3100 in limestone with ribbons of very hard chert rock.



SR-104

- Conical Tooth
- Step Shank
 - New Hair Pin Clip
 - New Carbide Grade

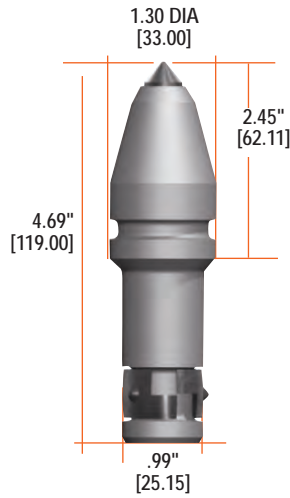
PN 850024

| POCKET | LBS | BUCKET QTY. |
|--------|-----|-------------|
| P4 | 2.6 | 12 |

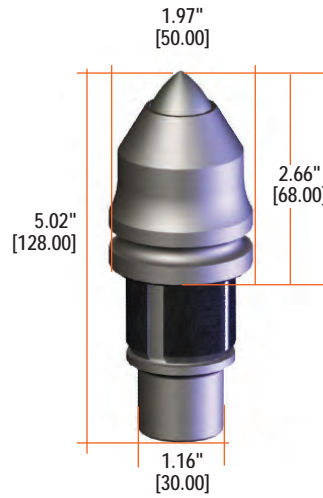
The three conical teeth to the right and on the following pages are the Standard Pengo Teeth. Note these are different than the STRATA teeth as they do not contain the drilling grade carbide tips.

The standard teeth are used in solid fracturable rock but may not provide the same wear as the Strata Teeth.

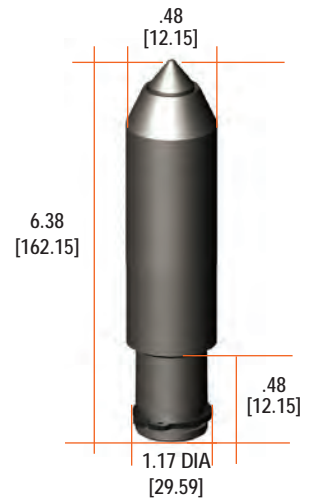
PENGO Foundation augers are shipped with STRATA conical teeth.



S31-HD
Conical Tooth
- 1" Shank Diameter
PN 850037



S22
Conical Tooth
- Step Shank
PN 850039



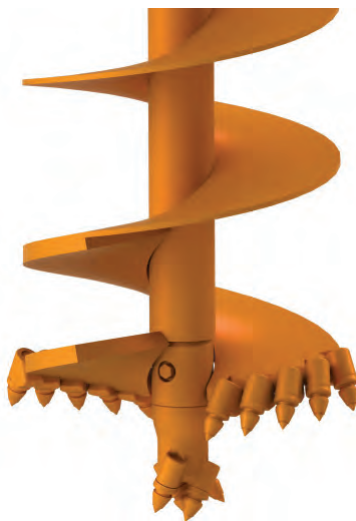
S4-1
Conical Tooth
- Step Shank
PN 850038

| POCKET | LBS | BUCKET QTY. |
|------------|-----|-------------|
| P30 & P30F | 1.1 | 35 |

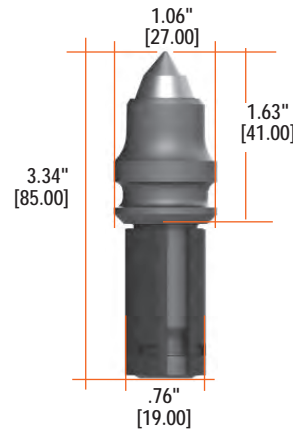
| POCKET | LBS | BUCKET QTY. |
|--------|-----|-------------|
| P4 | 2.6 | 12 |

| POCKET | LBS | BUCKET QTY. |
|--------|-----|-------------|
| P4 | 2.6 | 15 |

PENGO'S All New MD Rock Ripper Auger Features the STRATA SR-76SW tooth. For optimum performance select this tooth when reordering. Note the SRL08 will also work with Pengo Rocker Ripper Augers.

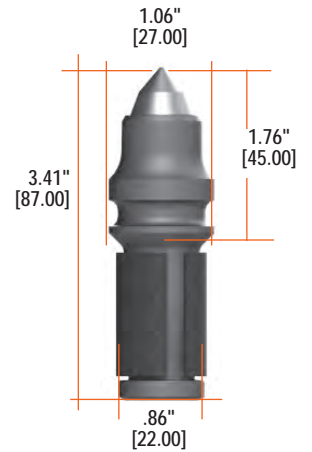


ROCK RIPPER



SRL08
Conical Tooth
- .76" Shank Diameter
- Improved Carbide Grade
- Use in PENGO's Rock Ripper Augers
PN 850032

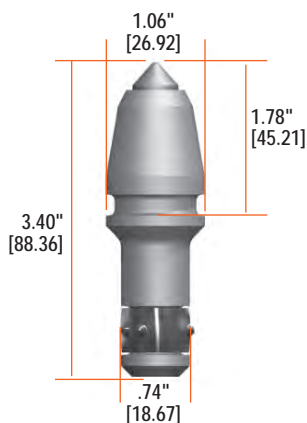
| POCKET | LBS | BUCKET QTY. |
|--------|-----|-------------|
| P10 | .65 | 65 |



SL-02
Conical Tooth
- .86" Shank Diameter
- New Carbide Angle for Increased Penetration
- Improved Carbide Grade
PN 850031

| POCKET | LBS | BUCKET QTY. |
|--------|-----|-------------|
| P-87 | .56 | 65 |

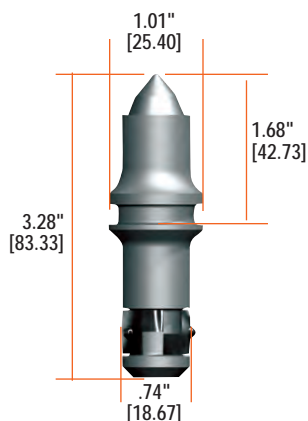
CONICAL TEETH



S21
Conical Tooth
- .74" Shank
- Internal Retainer
- Design Evenly Distributes Impact Loads Through Tool Shoulder
- Ideal for Use in Hard, High Impact Conditions

PN 850025

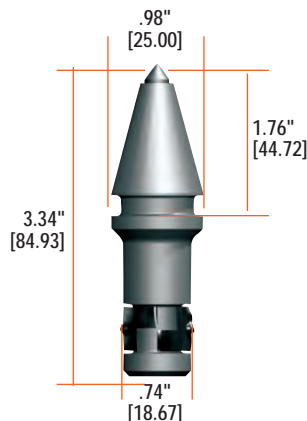
| POCKET | LBS | BUCKET QTY. |
|--------|-----|-------------|
| P20 | .3 | 65 |



S23
Conical Tooth
- .74" Shank
- Internal Retainer
- Design Evenly Distributes Impact Loads Through Tool Shoulder
- Ideal for Use in Hard, High Impact Conditions

PN 850033

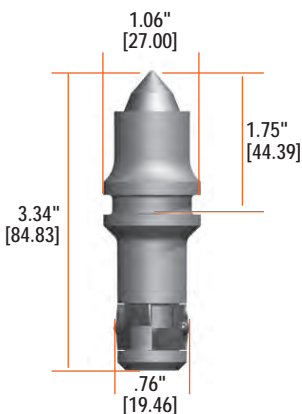
| POCKET | LBS | BUCKET QTY. |
|--------|-----|-------------|
| P20 | .3 | 65 |



S24
Conical Tooth
- .74" Shank
- Internal Retainer
- Design Evenly Distributes Impact Loads Through Tool Shoulder
- Ideal for Use in Hard, High Impact Conditions

PN 850029

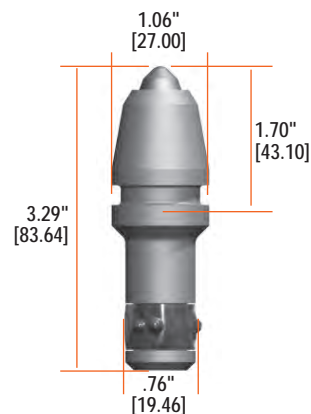
| POCKET | LBS | BUCKET QTY. |
|--------|-----|-------------|
| P20 | .4 | 65 |



SRL-09
Conical Tooth
- .76" Shank
- Internal Retainer
- Design Evenly Distributes Impact Loads Through Tool Shoulder
- Hard, High Impact

PN 850017

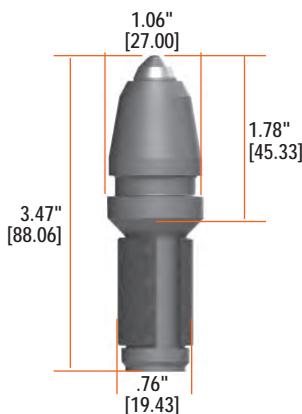
| POCKET | LBS | BUCKET QTY. |
|--------|-----|-------------|
| P10 | .5 | 65 |



SRL-10
Conical Tooth
- .76" Shank
- Internal Retainer
- Design Evenly Distributes Impact Loads Through Tool Shoulder
- Hard, High Impact

PN 850022

| POCKET | LBS | BUCKET QTY. |
|--------|-----|-------------|
| P10 | .5 | 65 |

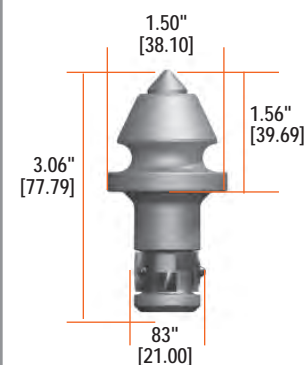


SRL-07
Conical Tooth
- .76" Shank
- Internal Retainer
- Hard, High Impact

PN 850009

| POCKET | LBS | BUCKET QTY. |
|--------|-----|-------------|
| P10 | .5 | 35 |

BoRH Teeth



P21RR
Conical Tooth
- .83" Shank Diameter
- STRATA tooth
- Replacement Tooth in PENGOS BoRH - Bolt On Rock Head
- Internal Retainer
- Hard Rock, Concrete

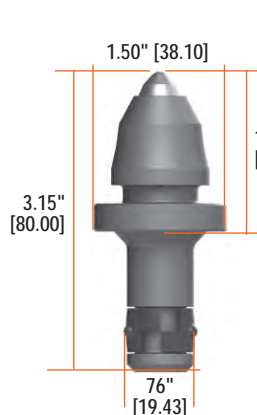
PN 850019

| LBS | BUCKET QTY. |
|-----|-------------|
| .59 | 50 |



The Pengo S21RR Tooth was designed exclusively for the Pengo BoRH® (Bolt-on Rock Head) which converts the Pengo Aggressor® auger into a rock auger in minutes. The stout S21-RR design works well in hard rock and concrete conditions and the enlarged tooth shoulder helps to protect the BoRH™ from wear.

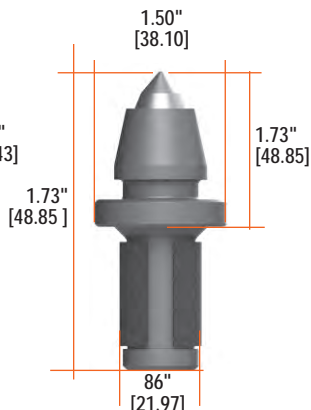
CONICAL TEETH



SRS16

- Conical Tooth
- .76" Shank Diameter
- Internal Retainer
- Hard, High Impact

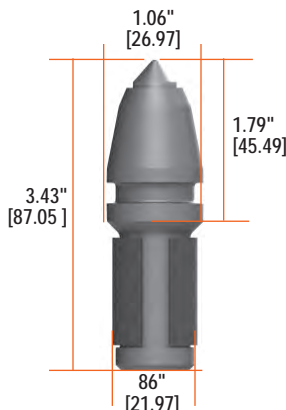
PN 850020



S-387BF

- Conical Tooth
- .86" Shank Diameter
- Internal Retainer
- Design Evenly Distributes Impact Loads Through Tool Shoulder
- Hard, High Impact

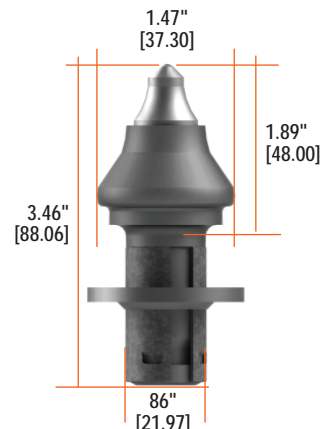
PN 850030



SL-04

- Conical Tooth
- .86" Shank Diameter
- Internal Retainer
- Design Evenly Distributes Impact Loads Through Tool Shoulder
- Hard, High Impact

PN 850016



SM04

- Conical Tooth
- 86" Shank Diameter
- Sleeve Washer
- Internal Retainer
- Hard, High Impact

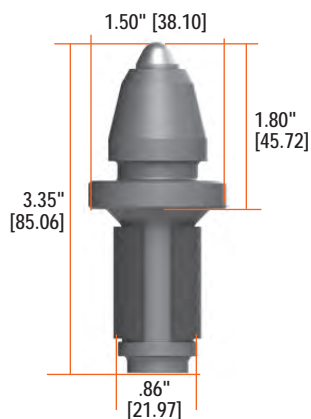
PN 850014

| POCKET | LBS | BUCKET QTY. |
|--------|-----|-------------|
| 0 | .5 | 50 |

| POCKET | LBS | BUCKET QTY. |
|--------|-----|-------------|
| S87HDS | .3 | 65 |

| POCKET | LBS | BUCKET QTY. |
|--------|-----|-------------|
| S87HDS | .5 | 65 |

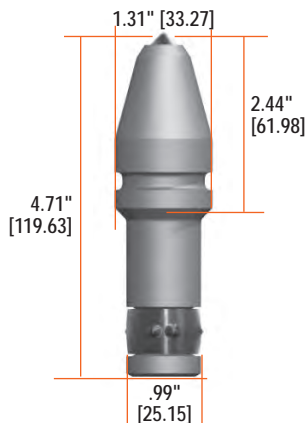
| LBS | BUCKET QTY. |
|-----|-------------|
| .8 | 45 |



SM06

- Conical Tooth
- 86" Shank Diameter
- Standard Body Design
- Design Evenly Distributes Impact Loads Through Tool Shoulder
- Hard, High Impact

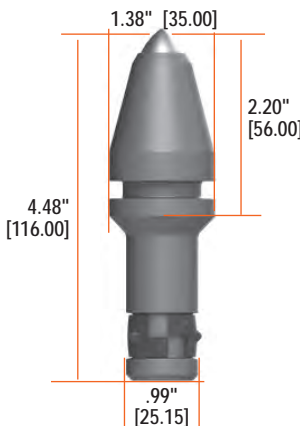
PN 850018



S31

- Conical Tooth
- 1" Shank Diameter
- Smaller Tip for Increased Penetration
- Improved Carbide Grade
- Internal Retainer
- Hard Rock, Concrete

PN 850026



SU40-HD

- Conical Tooth
- 1" Shank Diameter
- Internal Retainer
- Hard, High Impact

PN 850021

| LBS | BUCKET QTY. |
|-----|-------------|
| .8 | 50 |

| LBS | BUCKET QTY. |
|-----|-------------|
| 1.3 | 35 |

| LBS | BUCKET QTY. |
|-----|-------------|
| 2.2 | 35 |

Conical Teeth

SRZ16
Bucket Qty. 65
PN 850001

SRP18
Bucket Qty. 45
PN 850000

SRP19
Bucket Qty. 50
PN 850004

S3KBF
Bucket Qty. 50
PN 850003

S3KBF-LN
Bucket Qty. 50
PN 850002

S20HP
 Puller Bit
 - Easily Remove the Pengo's Conical Teeth
PN 850005

DIRT TEETH | UTILITY



1650
Dirt Tooth
- FAS-N-LOK®
- Replacement Teeth for Pengo MD Boring Heads & Quick Change Augers
- Typical Dirt Applications
PN 140200

| POCKET | LBS | BUCKET QTY. |
|--------------------|-----|-------------|
| 1XS, BT-100, WT-50 | .5 | 50 |



1652
Dirt Gage Tooth
- FAS-N-LOK®
- Replacement Teeth for Pengo MD Boring Heads & Quick Change Augers
- Typical Dirt Applications
PN 140020

| POCKET | LBS | BUCKET QTY. |
|--------------------|-----|-------------|
| 1XS, BT-100, WT-50 | 1.1 | 50 |



1652HF
Dirt Gage Tooth
- FAS-N-LOK®
- Replacement Teeth for Pengo MD Boring Heads & Quick Change Augers
- Typical Dirt Applications
PN 140086

| POCKET | LBS | BUCKET QTY. |
|--------------------|-----|-------------|
| 1XS, BT-100, WT-50 | 1 | 50 |



1656
Carbide Dirt Tooth
- FAS-N-LOK®
- Replacement Teeth for Pengo MD Boring Heads & Quick Change Augers
- High Abrasion, Frozen Soil, Low Impact
PN 140005

| POCKET | LBS | BUCKET QTY. |
|--------------------|-----|-------------|
| 1XS, BT-100, WT-50 | .59 | 25 |



1658
Carbide Dirt Gage Tooth
- FAS-N-LOK®
- Replacement Teeth for Pengo MD Boring Heads & Quick Change Augers
- High Abrasion, Frozen Soil, Low Impact
PN 140006

| POCKET | LBS | BUCKET QTY. |
|--------------------|-----|-------------|
| 1XS, BT-100, WT-50 | 1 | 25 |



1851
Dirt Tooth
- FAS-N-LOK®
- Replacement Teeth for Pengo MD Boring Heads & Quick Change Augers
- Typical Dirt Applications
PN 140017

| POCKET | LBS | BUCKET QTY. |
|--------------------|-----|-------------|
| 1XS, BT-100, WT-50 | .5 | 50 |



RB56
Ridge Breaker Tooth
- FAS-N-LOK®
- Replacement Teeth for Pengo MD Boring Heads & Quick Change Augers
- Typical Dirt Applications
PN 140022

| POCKET | LBS | BUCKET QTY. |
|--------------------|-----|-------------|
| 1XS, BT-100, WT-50 | .5 | 25 |



RB58
Carbide Dirt Tooth
- FAS-N-LOK®
- Replacement Teeth for Pengo MD Boring Heads & Quick Change Augers
- Typical Dirt Applications
PN 140015

| POCKET | LBS | BUCKET QTY. |
|--------------------|-----|-------------|
| 1XS, BT-100, WT-50 | .59 | 25 |

DIRT TEETH | CONSTRUCTION



40/50
Dual Angle Dirt Tooth
- Replacement Teeth for Pengo AGGRESSOR Augers
- Typical Dirt Applications
PN 134501

| POCKET | LBS | BUCKET QTY. |
|--------|-----|-------------|
| NA | .5 | 100 |



40/50C
Dual Angle Carbide Dirt Tooth
- Replacement Teeth for Pengo AGGRESSOR Augers
- Abrasive and Frozen Soil, No Impact
PN 134519

| POCKET | LBS | BUCKET QTY. |
|--------|-----|-------------|
| NA | .5 | 25 |



40/50HFF
Dual Angle Hardface Dirt Tooth
- Replacement Teeth for Pengo AGGRESSOR Augers
- Abrasive and Frozen Soil, Impact
PN 134802

| POCKET | LBS | BUCKET QTY. |
|--------|-----|-------------|
| NA | .5 | 25 |



35
Dirt Tooth
- FAS-N-LOK®
- Replacement Teeth for CS and AG AGGRESSOR Augers
- Typical Dirt Applications
PN 133835

| POCKET | LBS | BUCKET QTY. |
|------------|-----|-------------|
| T-35; T-36 | .4 | 100 |



35C
Carbide Dirt Tooth
- FAS-N-LOK®
- Replacement Teeth for CS and AG AGGRESSOR Augers
- Compacted Rock, Abrasive, No Impact
PN 140007

| POCKET | LBS | BUCKET QTY. |
|------------|-----|-------------|
| T-35; T-36 | .4 | 50 |



35HF
Hardface Dirt Tooth
- FAS-N-LOK®
- Replacement Teeth for AG AGGRESSOR and CS Augers
- Abrasive, Impact
PN 140008

35HFF PN 140009

| POCKET | LBS | BUCKET QTY. |
|------------|-----|-------------|
| T-35; T-36 | .6 | 50 |

In 2008 Pengo developed the FAS-N-LOK Series of dirt teeth. Fas-N-Lok teeth incorporates vulcanized rubber on the inside surface of the tooth, saving you time and money!



TYPE Dirt Tooth
DRILLING dirt, ordinary digging

TYPE Carbide Tooth
DRILLING highly abrasive soil, frozen ground

TYPE Gage Tooth
DRILLING dirt, ordinary digging

TYPE Carbide Gage
DRILLING highly abrasive soil, frozen ground

TYPE Carbide Rock
DRILLING rock, compacted soil

TYPE Hard Faced - one side
DRILLING abrasive soil, impact

TYPE Hard Faced - two sides (HFF)
DRILLING abrasive soil, impact

TYPE Ridge Breaker
DRILLING high abrasion, frozen soil, low impact

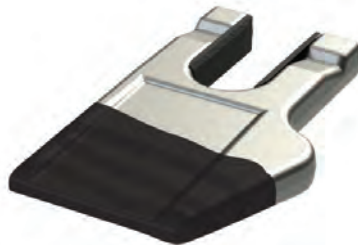
Due to varying manufacturers tolerances, Rub-R-Lok might be necessary to obtain the correct fit.

DIRT TEETH | CONSTRUCTION



37
Dirt Gage Tooth
- FAS-N-LOK®
- Replacement Teeth for Pengo Quick Change, AG Max and TRIMAX Augers and Boring Heads
- Typical Dirt Applications
PN 140027

| POCKET | LBS | BUCKET QTY. |
|------------|-----|-------------|
| T-35; T-36 | .5 | 50 |



37HF
Dirt Hardface Gage Tooth
- FAS-N-LOK®
- Replacement Teeth for Pengo Quick Change, AG Max and TRIMAX Augers and Boring Heads
- Abrasive, Impact
PN 140010

| POCKET | LBS | BUCKET QTY. |
|------------|-----|-------------|
| T-35; T-36 | .6 | 50 |



1336L
Carbide Dirt Tooth
- FAS-N-LOK®
- Replacement Teeth for TRIMAX and CS Augers
- Abrasive Frozen Soil
PN 140016

| POCKET | LBS | BUCKET QTY. |
|------------|-----|-------------|
| T-35; T-36 | .6 | 100 |



RB36LC
Carbide Dirt Tooth
- FAS-N-LOK®
- Replacement Teeth for TRIMAX and CS Augers
- Abrasive Frozen Soil
PN 140021

| POCKET | LBS | BUCKET QTY. |
|------------|-----|-------------|
| T-35; T-36 | .6 | 100 |



5T30
Carbide Dirt Tooth
- FAS-N-LOK®
- Replacement Teeth for Pengo TRIMAX Augers and Boring Heads
- Loose Rock, Abrasive, No Impact
PN 140029

| POCKET | LBS | BUCKET QTY. |
|------------|-----|-------------|
| T-35; T-36 | .4 | 100 |



5T30C
Carbide Dirt Tooth
- FAS-N-LOK®
- Replacement Teeth for Pengo TRIMAX Augers and Boring Heads
- Compacted Rock, Abrasive Soil, No Impact
PN 140012

| POCKET | LBS | BUCKET QTY. |
|------------|-----|-------------|
| T-35; T-36 | .4 | 50 |



5T30HF
Carbide Dirt Tooth
- FAS-N-LOK®
- Replacement Teeth for Pengo TRIMAX Augers and Boring Heads
- Rock, High Impact
PN 140014

| POCKET | LBS | BUCKET QTY. |
|------------|-----|-------------|
| T-35; T-36 | .6 | 50 |



RB5T30
Carbide Gage Tooth
- FAS-N-LOK®
- Replacement Teeth for Pengo TRIMAX Augers and Boring Heads
- Rock, High Impact
PN 140013

| POCKET | LBS | BUCKET QTY. |
|------------|-----|-------------|
| T-35; T-36 | .6 | 100 |

DIRT TEETH | FOUNDATION



2070
Dirt Tooth
- FAS-N-LOK®
- Replacement Teeth for Cast Replacement Heads
- Typical Dirt Applications
PN 140002



2072
Dirt Gage Tooth
- FAS-N-LOK®
- Replacement Teeth for Cast Replacement Heads
- Typical Dirt Applications
PN 140000



2077
Carbide Dirt Tooth
- FAS-N-LOK®
- Replacement Teeth for Cast Replacement Heads
- High Abrasion
PN 140003



2078
Carbide Gage Tooth
- FAS-N-LOK®
- Replacement Teeth for Cast Replacement Heads
- High Abrasion
PN 140004

| POCKET | LBS | BUCKET QTY. |
|------------|-----|-------------|
| WA & FA 70 | 2 | 20 |

| POCKET | LBS | BUCKET QTY. |
|------------|-----|-------------|
| WA & FA 70 | 2.3 | 20 |

| POCKET | LBS | BUCKET QTY. |
|------------|-----|-------------|
| WA & FA 70 | 2.3 | 20 |

| POCKET | LBS | BUCKET QTY. |
|------------|-----|-------------|
| WA & FA 70 | 2.4 | 20 |



2079
Carbide Dirt Tooth
- FAS-N-LOK®
- Replacement Teeth for Cast Replacement Heads
- High Abrasion
PN 140001

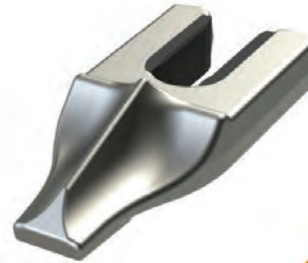
| POCKET | LBS | BUCKET QTY. |
|------------|-----|-------------|
| WA & FA 70 | 3.3 | 20 |



16R55
Dirt Tooth
- FAS-N-LOK®
- Replacement Teeth for Foundation Dirt Augers
- Typical Dirt Applications
PN 140019

16R51 Bident Tooth
1.1 lb. **PN 140509**

| POCKET | LBS | BUCKET QTY. |
|---------------------|-----|-------------|
| B-256, C-355, E-555 | 1 | 50 |



7R55
Carbide Chisel Dirt Tooth
- FAS-N-LOK®
- Replacement Teeth for Foundation Dirt Augers
- High Abrasion
PN 140018

7R56 **PN 140395**

| POCKET | LBS | BUCKET QTY. |
|---------------------|-----|-------------|
| B-256, C-355, E-555 | 1 | 50 |



TAPER FIT TEETH



60
Dirt Tooth
- Replacement Teeth for Foundation Augers
- Typical Dirt Applications
PN 170006



70
Dirt Tooth
- Replacement Teeth for Foundation Augers
- Typical Dirt Applications
PN 170020



80
Dirt Tooth
- Replacement Teeth for Foundation Augers
- Typical Dirt Applications
PN 170008



80C
Dirt Tooth
- Replacement Teeth for Foundation Augers
- Typical Dirt Applications
PN 170003

| POCKET | LBS | BUCKET QTY. |
|--------|-----|-------------|
| WO-1 | 1 | 50 |

| POCKET | LBS | BUCKET QTY. |
|--------|-----|-------------|
| WO-1 | 1 | 50 |

| POCKET | LBS | BUCKET QTY. |
|--------|-----|-------------|
| WO-12 | 2 | 25 |

| POCKET | LBS | BUCKET QTY. |
|--------|-----|-------------|
| WO-12 | 1.7 | 12 |



90P
Dirt Tooth
- Replacement Teeth for Foundation Augers
- Typical Dirt Applications
PN 134855



95P
Dirt Tooth
- Replacement Teeth for Foundation Augers
- Typical Dirt Applications
PN 170015



132
Dirt Tooth
- Replacement Teeth for Foundation Augers
- Typical Dirt Applications
PN 134406



134
Dirt Tooth
- Replacement Teeth for Foundation Augers
- Typical Dirt Applications
PN 134411

SZ90P SubZero Tooth
1.75 lbs. PN 134792

| POCKET | LBS | BUCKET QTY. |
|--------|------|-------------|
| WO-12 | 1.63 | 25 |

| POCKET | LBS | BUCKET QTY. |
|--------|-----|-------------|
| WO-12 | 1.5 | 25 |

| POCKET | LBS | BUCKET QTY. |
|-----------------|-----|-------------|
| WO-5; WO5HDS | 2 | 15 |

| POCKET | LBS | BUCKET QTY. |
|-----------------|-----|-------------|
| WO-5; WO5HDS | 2 | 15 |

TAPER FIT TEETH



201
Dirt Tooth
- Replacement Teeth for Foundation Augers
- Typical Dirt Applications
PN 170030



201C
Carbide Tooth
- Replacement Teeth for Foundation Dirt Augers
- High Abrasion Digging
PN 170029



211
Dirt Tooth
- Replacement Teeth for Foundation Dirt Augers
- High Abrasion
PN 170034



299
Carbide Tooth
- Replacement Teeth for Foundation Dirt Augers
- High Abrasion
PN 134659

| POCKET | LBS | BUCKET QTY. |
|-----------------|-----|-------------|
| WO-5; WO5HDS | 2.1 | 20 |

| POCKET | LBS | BUCKET QTY. |
|-----------------|-----|-------------|
| WO-5; WO5HDS | 2.1 | 20 |

| POCKET | LBS | BUCKET QTY. |
|-----------------|-----|-------------|
| WO-5; WO5HDS | 2.9 | 20 |

| POCKET | LBS | BUCKET QTY. |
|-----------------|-----|-------------|
| WO-5; WO5HDS | 2.8 | 20 |



PFC2
Carbide Tooth
- Replacement Teeth for Foundation Dirt Augers
- High Abrasion
PN 140112



PFC5
Carbide Tooth
- Replacement Teeth for Foundation Dirt Augers
- High Abrasion
PN 140115



SZ210
Sub Zero Tooth
- Replacement Teeth for Foundation Dirt Augers
- High Abrasion
PN 170032



SZ211
Sub Zero Tooth
- Replacement Teeth for Foundation Dirt Augers
- High Abrasion
PN 170039

| POCKET | LBS | BUCKET QTY. |
|-----------------|-----|-------------|
| WO-5; WO5HDS | 2.5 | 20 |

| POCKET | LBS | BUCKET QTY. |
|--------|-----|-------------|
| PFC-5H | 1 | 50 |

| POCKET | LBS | BUCKET QTY. |
|-----------------------|-----|-------------|
| WO-8; WO-5; WO5HDS | 2.5 | 15 |

| POCKET | LBS | BUCKET QTY. |
|-----------------------|-----|-------------|
| WO-8; WO-5; WO5HDS | 3.5 | 15 |

DRAG STYLE TEETH



CB10
Carbide Tooth
- Replacement Teeth for MD and GP Step Rock Augers
- Dirt, Sand, Clay
PN 140055



604C
Carbide Tooth
- Replacement Teeth for MD and GP Step Rock Augers
- Hard Rock
PN 140065



CU7
Carbide Tooth
- Replacement Teeth for MD and GP Step Rock Augers
- Dirt, Sand, Clay
PN 134084



CJ2
Carbide Tooth
- Replacement Teeth for MD and GP Step Rock Augers
- Dirt, Sand, Clay
PN 850028

U7L Sub Zero
.55 lbs. PN 134083

| POCKET | LBS | BUCKET QTY. |
|--------|-----|-------------|
| H-10 | .8 | 100 |

| POCKET | LBS | BUCKET QTY. |
|--------|-----|-------------|
| 1604 | .55 | 50 |

| POCKET | LBS | BUCKET QTY. |
|--------|-----|-------------|
| CJ-2 | .55 | 50 |

| POCKET | LBS | BUCKET QTY. |
|--------|-----|-------------|
| CJ-2 | .69 | 50 |

ACCESSORIES



STORAGE
- For Your MD Auger
10" 1345-3.75 DISH
6.8 lbs. PN 151735
10" CUST - 4" ID DISH PN 132875
8" 1345-3.00 DISH
4.5 lbs. PN 151732
9" DISH
4.75 lbs. PN 154008
2 3/8" API, 3 1/2" OD BOX
6.1 lbs. PN 132191
2-3/8" API, 4" OD BOX
PN 151193
WIND-UP 0.8 lbs. PN 157704



DRIVE LUGS
Cast Alloy
- Used with Screw Bit Pilots
140CS SB-25, SB-30
2.3 lbs. PN 151930
141-L 375-TCH-171
1.3 lbs. PN 151970
141-R SB-35 or SB-45
1 lbs. PN 151956
141-MT SB-35 or SB-45
1.3 lbs. PN 151960
MF-MM SB-35 or SB-45
2.2 lbs. PN 151020



DRIVE PINS
- For use with Your PENGO Parts
DP-2 2" 3/8" x 1-1/2"
.1 lbs. PN 157779
DP-3 3" 1/2" x 2"
.1 lbs. PN 157780
DP-4 4" 5/8" x 2-3/4"
.3 lbs. PN 157781
DP-5 5" 5/8" x 2-3/4"
.5 lbs. PN 157782



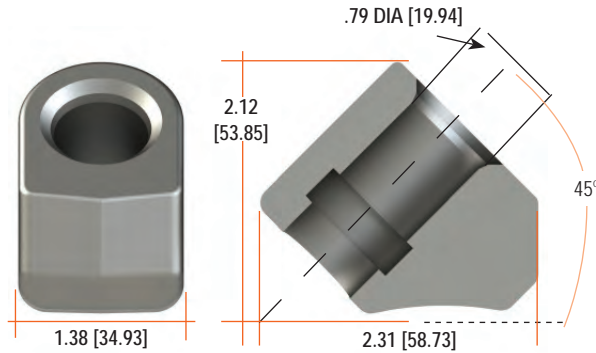
TOOLS
- For use with Your PENGO Parts
SOFT HAMMER 3.5 lbs.
PN 137737
DRIFT PUNCH .8 lbs.
PN 137750
HORSESHOE NAIL 1 lbs.
PN 137620
RUBR-LOK .1 lbs.
PN 137601
P-10 Pin .1 lbs.
PN 137610

BLOCKS | CONICAL TEETH

P10
Conical Tooth Block
- Fits .76" Shank Size
Conical Teeth

PN 990043

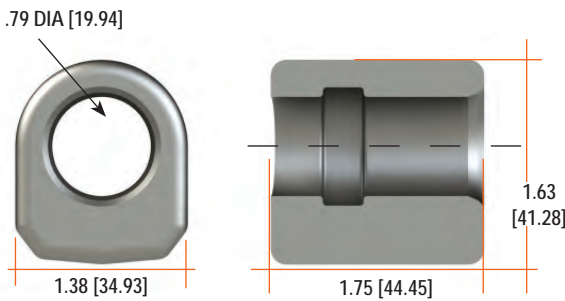
| LBS | BUCKET QTY. |
|-----|-------------|
| .8 | 35 |



P10F
Conical Tooth Block
- Fits .76" Shank Size
Conical Teeth

PN 990084

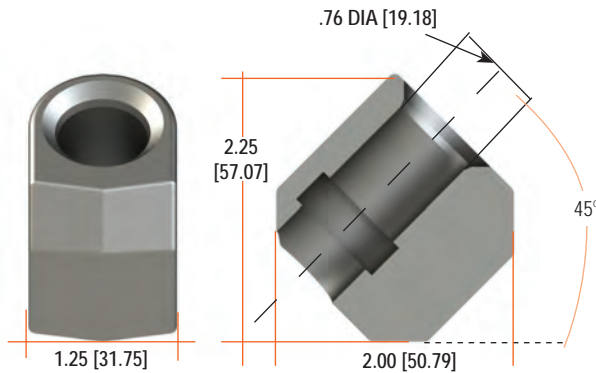
| LBS | BUCKET QTY. |
|-----|-------------|
| .55 | 40 |



P20
Conical Tooth Block
- Fits .74" Shank Size
Conical Teeth

PN 990002

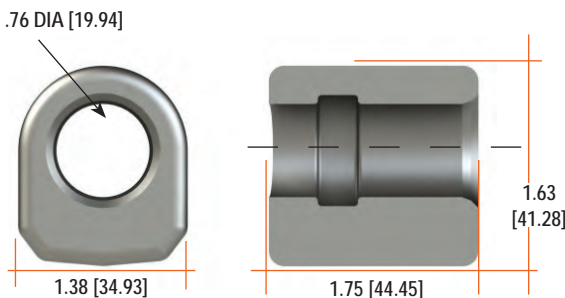
| LBS | BUCKET QTY. |
|-----|-------------|
| .7 | 40 |



P20F
Conical Tooth Block
- Fits .74" Shank Size
Conical Teeth

PN 990085

| LBS | BUCKET QTY. |
|-----|-------------|
| .9 | 40 |



S10HD
Conical Tooth Block
- Fits .76" Shank Size
Conical Teeth

PN 850006

| LBS | BUCKET QTY. |
|-----|-------------|
| .60 | 35 |

S20HD
Conical Tooth Block
- Fits .74" Shank Size
Conical Teeth

PN 850007

| LBS | BUCKET QTY. |
|-----|-------------|
| 1.1 | 35 |

S30H
Conical Tooth Block
- Fits 1" Shank Size
Conical Teeth

PN 850013

| LBS | BUCKET QTY. |
|-----|-------------|
| .9 | 40 |

B48
Conical Tooth Block
- Fits
Conical Teeth

PN 800072

| LBS | BUCKET QTY. |
|-----|-------------|
| 1.1 | 6 |

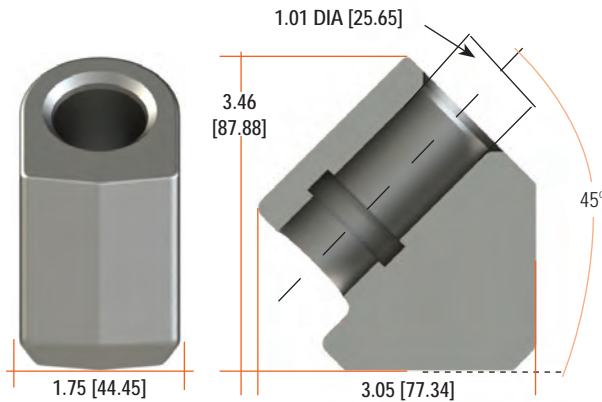
BLOCKS | CONICAL TEETH

P30

Conical Tooth Block
- Fits 1" Shank Size
Conical Teeth

PN 990001

| LBS | BUCKET QTY. |
|-----|-------------|
| 2.6 | 12 |

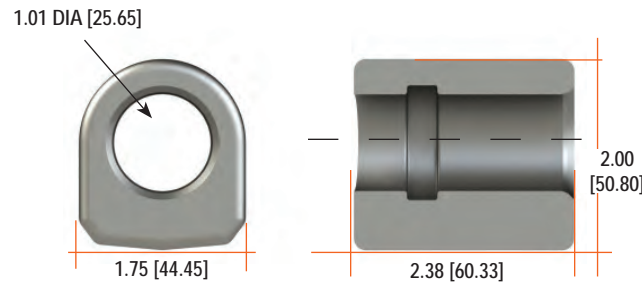


P30F

Conical Tooth Block
- Fits 1" Shank Size
Conical Teeth

PN 990082

| LBS | BUCKET QTY. |
|-----|-------------|
| .7 | 40 |

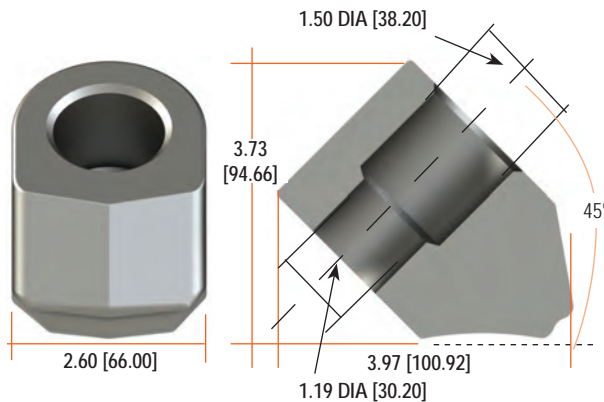


P4

Conical Tooth Block
- Fits Step Shank
Conical Teeth

PN 990003

| LBS | BUCKET QTY. |
|------|-------------|
| 3.65 | 8 |

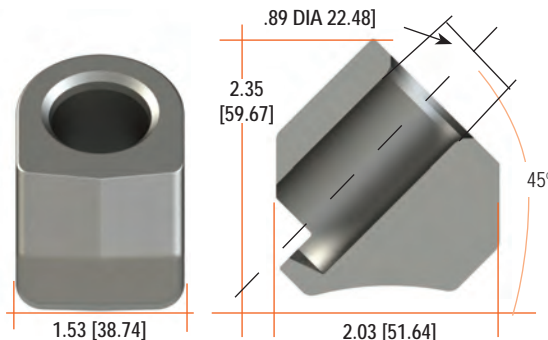


P87B

Conical Tooth Block
- Fits .86 Shank Size
Conical Teeth

PN 990029

| LBS | BUCKET QTY. |
|-----|-------------|
| 2.6 | 25 |



P30F Holder



The P30F Holder is designed specifically for the PENGO Core Barrels. The straight design offers flexibility in angle placement.

P4 Holder



Eliminates Gap

The heavy-duty P4 Holder design eliminates the need to fill large gaps when welding holders in a row. No more excessive welding saves time and keeps heat treat properties intact.

BLOCKS | DIRT



T35 Angled

- Fits 35 Series Teeth

LBS 1
PN 171221



T36 Straight

- Fits 35 Series Teeth

LBS .5
PN 171231



1ASR

- Fits 2070 Series Teeth

LBS 2.4
PN 156980



FA-70

- Fits 2070 Series Teeth

LBS 2
PN 158110



WA-70

- Fits 2070 Series Teeth

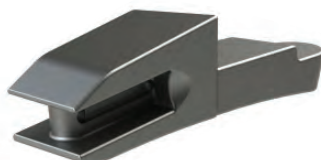
LBS 2
PN 158120



B-255

- Fits 16R55 Series Teeth

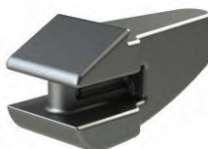
LBS 2.5
PN 155000



C-355

- Fits 16R55 Series Teeth

LBS 3
PN 155010



E-555

- Fits 16R55 Series Teeth

LBS 2.5
PN 154990



1XS

- Fits 1650 Series Teeth

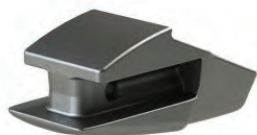
LBS 1.6
PN 157010



BT-100

- Fits 1650 Series Teeth

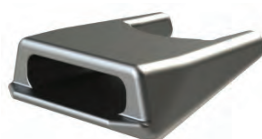
LBS 1.6
PN 157300



WT-50

- Fits 1650 Series Teeth

LBS 2.5
PN 158115



WO-1

- Fits 60 and 70 Taper Fit Teeth

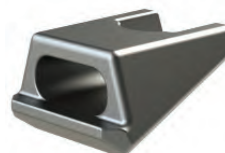
LBS 1.5
PN 171565



WO-12

- Fits 80, 90, & 95 Teeth

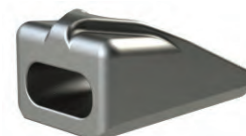
LBS 2.8
PN 171570



WO-5

- Fits 132, 134, 211, 201, 299 SZ210, SZ211

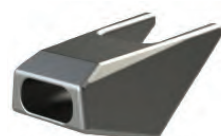
LBS 2.5
PN 171575



WO-5HDS

- Fits 132, 134, 211, 201, 299 SZ210, SZ211

LBS 3
PN 171574



WO-8

- Fits 132, 134, 211, 201, 299 SZ210, SZ211

LBS 2.5
PN 171577



H-10

- Fits CB-10 Drag Style Teeth

LBS .28
PN 157025



PFC-5H

- Fits PFC-5 Taper Fit Teeth

LBS 1.5
PN 157027



CJ-2

- Fits CJ2 Drag Style Teeth

LBS 1.5
PN 134098

WT-51

- Fits 15T50

LBS 1.59
PN 171530

1604

- Fits 1604 Teeth

LBS .6
PN 157000

HUBS & ADAPTERS



HEX

Cast Alloy Hubs

- Upgrade or repair any brand of auger

| | | |
|---------|-----------|-----------|
| RH-1375 | | PN 133156 |
| RH-812 | .6 lbs. | PN 153955 |
| RH-1625 | 3.1 lbs. | PN 153958 |
| H-200U | 10.5 lbs. | PN 154121 |
| H-250 | 19.7 lbs. | PN 154141 |
| H-262 | 17.6 lbs. | PN 154151 |
| H-225 | 12.5 lbs. | PN 154160 |
| H-300 | 21 lbs. | PN 154205 |



SQUARE

Cast Alloy Hubs

- Upgrade or repair any brand of auger

| | | |
|-----------|----------|-----------|
| S-200 | 19 lbs. | PN 153990 |
| S-225 FAB | | PN 154002 |
| S-250 | 21 lbs. | PN 154010 |
| S-300 | 40 lbs. | PN 154020 |
| S-3505 | 2.3 lbs. | PN 154030 |
| S-400 | 65 lbs. | PN 154050 |
| S-130MM | 100 lbs. | PN 154161 |
| S-150MM | 175 lbs. | PN 154162 |
| S-177MM | 205 lbs. | PN 154163 |
| S-200MM | 390 lbs. | PN 154164 |



ROUND

Cast Alloy Hubs

- Upgrade or repair any brand of auger

| | | |
|------------|----------|-----------|
| 1" General | 1.4 lbs. | PN 153967 |
| R-200 | 5.2 lbs. | PN 154080 |
| R-256 | 9.5 lbs. | PN 154115 |



HEX ADAPTERS

Cast Adapters

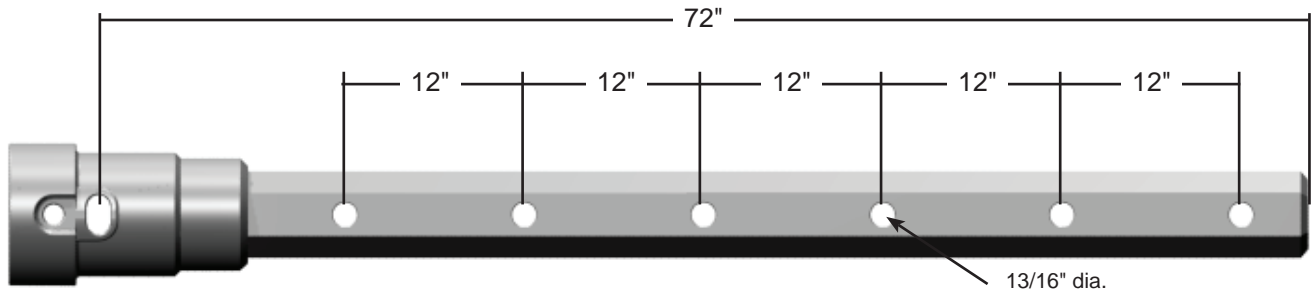
| | | |
|-----------------|---------|-----------|
| H-200F X H-250M | 22 lbs. | PN 132609 |
| H-200F X H-262M | 23 lbs. | PN 133379 |
| H-200F X R-200M | 14 lbs. | PN 557156 |
| H-250F X H-200M | 30 lbs. | PN 132419 |
| H-250F X H-262M | 31 lbs. | PN 136466 |
| H-250F X R-256M | 31 lbs. | PN 151025 |
| H-250F X S-200M | 29 lbs. | PN 132946 |
| H-250F X S-250M | 33 lbs. | PN 133560 |
| H-250F X H-262M | | PN 136466 |
| H-250F X S-200M | | PN 132946 |
| H-250F X S-250M | | PN 133560 |
| H-262F X H-200M | 26 lbs. | PN 133938 |
| H-262F X H-225M | 26 lbs. | PN 133939 |
| H-262F X H-250M | 30 lbs. | PN 132702 |
| H-262F X S-250M | 30 lbs. | PN 132703 |
| H-262F X S-300M | | PN 133923 |
| S-250F X H-225M | 32 lbs. | PN 132842 |
| S-300F X S-250M | | PN 133137 |
| S-350F X S-300M | | PN 134797 |

SQUARE ADAPTERS

Cast Square Female Adapters

| | | |
|-------------------|---------|-----------|
| S-250 X S-300M | 41 lbs. | PN 133914 |
| 130MM F X H300M | | PN 661284 |
| 130MM F X S400M | | PN 159033 |
| 150MM F X S400M | | PN 154109 |
| 177MM F X 130MM M | | PN 136615 |
| 200MM F X 150MM M | | PN 136680 |

EXTENSIONS & COUPLERS | UTILITY



TELESCOPING

Hex Extension

- Extend from 12" to 144"
- Available in 2", 2 1/2" and 2 5/8"

| Hex | Part Description | PN |
|-----------------------|------------------|-----------|
| HE20-12 | 2" HEX X 12" | PN 557142 |
| HE20-24 | 2" HEX X 24" | PN 557143 |
| HE20-36 | 2" HEX X 36" | PN 557144 |
| HE20-48 | 2" HEX X 48" | PN 557145 |
| HE20-60 | 2" HEX X 60" | PN 557146 |
| HE20-72 | 2" HEX X 72" | PN 557147 |
| HE20-84 | 2" HEX X 84" | PN 557148 |
| HE20-96 | 2" HEX X 96" | PN 557149 |
| HE20-144 | 2" HEX X 144" | PN 557151 |
| HE25-12 | 2 1/2" HEX X 12" | PN 557126 |
| HE25-24 | 2 1/2" HEX X 24" | PN 557162 |
| HE25-36 | 2 1/2" HEX X 36" | PN 557128 |
| HE25-48 | 2 1/2" HEX X 48" | PN 557129 |
| HE25-60 | 2 1/2" HEX X 60" | PN 557130 |
| HE25-72 | 2 1/2" HEX X 72" | PN 557163 |
| HE25-90 | 2 1/2" HEX X 90" | PN 135598 |
| HE26-12 | 2 5/8" HEX X 12" | PN 557119 |
| HE26-24 | 2 5/8" HEX X 24" | PN 557120 |
| HE26-36 | 2 5/8" HEX X 36" | PN 557121 |
| HE26-48 | 2 5/8" HEX X 48" | PN 557122 |
| HE26-60 | 2 5/8" HEX X 60" | PN 557160 |
| HE26-72 | 2 5/8" HEX X 72" | PN 557161 |
| HE225-72 | 1/4" HEX X 72" | PN 557140 |
| H-250F X H-262M X 72" | | PN 557172 |
| H-262F X H-250M X 72" | | PN 557170 |

3" TELESCOPING

Hex Extension - Heat Treated

| | | |
|-----------------|----------|-----------|
| H300 X 24" OAL | 70 lbs. | PN 134870 |
| H300 X 36" OAL | 98 lbs. | PN 134871 |
| H300 X 48" OAL | 124 lbs. | PN 134872 |
| H300 X 60" OAL | 135 lbs. | PN 134844 |
| H300 X 72" OAL | 175 lbs. | PN 134847 |
| H300 X 102" OAL | | PN 134828 |

EXTENSION BARS

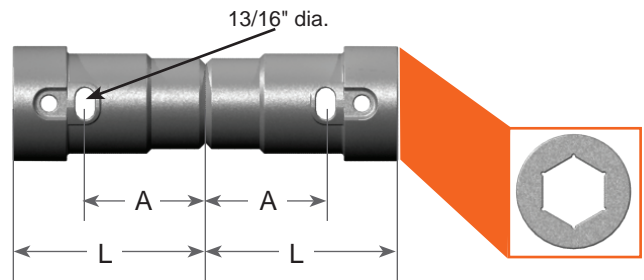
No Hubs with Holes

| | |
|---------------------------|-----------|
| - Extend from 12" to 144" | |
| 2" HEX X 72" STD | PN 137570 |
| 2 1/2" HEX X 72" STD | PN 137571 |
| 2 5/8" HEX X 72" STD | PN 137572 |

EXTENSION BARS

No Hubs no Holes

| | |
|---------------------------|----------------------|
| - Extend from 12" to 144" | |
| 2" HEX X 72" HEX BAR | 70.7 lbs. PN 151125 |
| 2 1/2" HEX X 72" HEX BAR | 110.5 lbs. PN 151127 |
| 2 5/8" HEX X 72" HEX BAR | 110.5 lbs. PN 151128 |



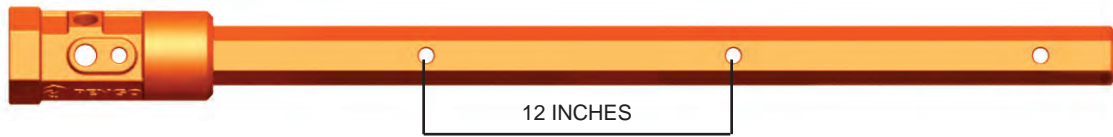
HEX COUPLERS

for Utility

| | | |
|-----------------|---------------|-------------------|
| 2" x 2" | A = 3" L = 8" | 13 lbs. PN 553400 |
| 2 1/2" x 2 1/2" | A = 5" L = 8" | 22 lbs. PN 553402 |
| 2 5/8" x 2 5/8" | A = 5" L = 8" | 21 lbs. PN 553403 |

**CONTACT PENGO SALES
AT 800.599.0211
FOR COMPLETE LISTING
OF REPLACEMENT PARTS**

EXTENSIONS | CONSTRUCTION



CS TELESCOPING

For adapting PENGO Standard Auger to Any Hand Held Earth Drill

| | |
|---------------------------|-----------|
| G-1.00R X 24 GENERAL | PN 557091 |
| G-1.375HX24 GENERAL | PN 557092 |
| LB-1.25SX24 LIT BEAVER | PN 557093 |
| GH-.875SX24 GROUND HOG | PN 557094 |
| PC-1.31R X12 PENGO COLLAR | PN 557095 |
| PC-1.687RX24 PENGO COLLAR | PN 557096 |
| PC-1.687RX36 PENGO COLLAR | PN 557097 |

NOTE: Augers used with CS Extensions must be ordered with PENGO's CS collar (part no. 158065).

ADJUSTABLE EXTENSION SHAFTS

| | |
|--------------|-----------|
| SA24-256 24" | PN 137570 |
|--------------|-----------|

TELESCOPING

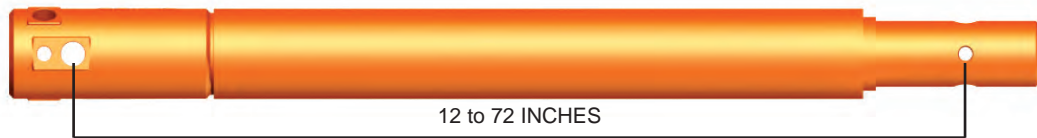
2" Hex with Standard Holes

| | | |
|------------------|---------|-----------|
| HE20-12 STANDARD | 22 lbs. | PN 557142 |
| HE20-24 STANDARD | 34 lbs. | PN 557143 |
| HE20-36 STANDARD | 46 lbs. | PN 557144 |
| HE20-48 STANDARD | 58 lbs. | PN 557145 |
| HE20-60 STANDARD | 70 lbs. | PN 557146 |
| HE20-72 STANDARD | 82 lbs. | PN 557147 |

EXTENSION BARS

2" Hex Bar with Standard Holes

| | |
|------------------|-------------------|
| 2" HEX X 72" | PN 137570 |
| 2-5/8" HEX X 72" | PN 137572 |
| H-250 X 72" | PN 137571 |
| HE20-72 | 82 lbs. PN 557147 |



FIXED EXTENSIONS

2" Round Extension

| | |
|---------|-----------|
| RE20-12 | PN 557176 |
| RE20-24 | PN 557178 |
| RE20-36 | PN 557174 |
| RE20-48 | PN 557179 |

FIXED EXTENSIONS

2 9/16" Round Extension

| | |
|-------------------|-------------------|
| RE20-12 | PN 557176 |
| RE25-12 STD FIXED | 20 lbs. PN 134203 |
| RE25-24 STD FIXED | 31 lbs. PN 134204 |
| RE25-36 STD FIXED | 40 lbs. PN 134205 |
| RE25-48 STD FIXED | 50 lbs. PN 134206 |
| RE25-60 STD FIXED | 61 lbs. PN 134207 |
| RE25-72 STD FIXED | 72 lbs. PN 134208 |

FLIGHTING

PRODUCT CATALOG



**LET'S BR
BREAK
GROUND
TOGETHER**



www.pengoattachments.com | 800.599.0211

powerful construction attachments

PENGO

PENGO was established in 1950 near San Francisco, California to design and manufacture utility industry equipment to pull and tension high voltage transmissions lines. The company later developed augers to drill efficiently in conditions, which, at the time, were considered extremely difficult. Within a few years, Pengo held over 169 patents, most of which are still the basis for current drilling industry standards. The BoRH® auger line is the latest patented product that has been chosen by the leading dealers, distributors, and OEM (Original Equipment Manufacturers).

Today, PENGO is the largest manufacturer of augers and related wear parts in the world, serving the utility, construction, agriculture, foundation, and major worldwide OEM customers. Our products are available through a network of over 500 dealers and OEM's. The product line has includes forged, cast and fabricated attachments and foundation drilling tools and components. PENGO acquired CAM Manufacturing in May 2004. This added the conveyor screw product line and the ability to manufacturer heavy duty helical and sectional flighting.

With manufacturing and distribution points in Iowa and Minnesota, we have several locations to serve you.



CONSTRUCTION
Aggregate Mining
Utility Agriculture

International Equipment Solutions, LLC (IES) was formed in September 2011 through the support of KPS Capital Partners, LP (KPS). Our companies employ more than 1,500 people and operate 14 manufacturing facilities throughout North America and other parts of the world. Our customers include major OEMs, national rental and retail fleet companies and hundreds of OEM-aligned and independent dealers serving a wide range of global markets. IES also focuses on direct sales to highly specialized customers.



PENGO is proud to be a part of the following organizations.



PENGO is at your fingertips!



Headquarters | 500 E. Hwy 10, Laurens, IA 50554 712.845.2540

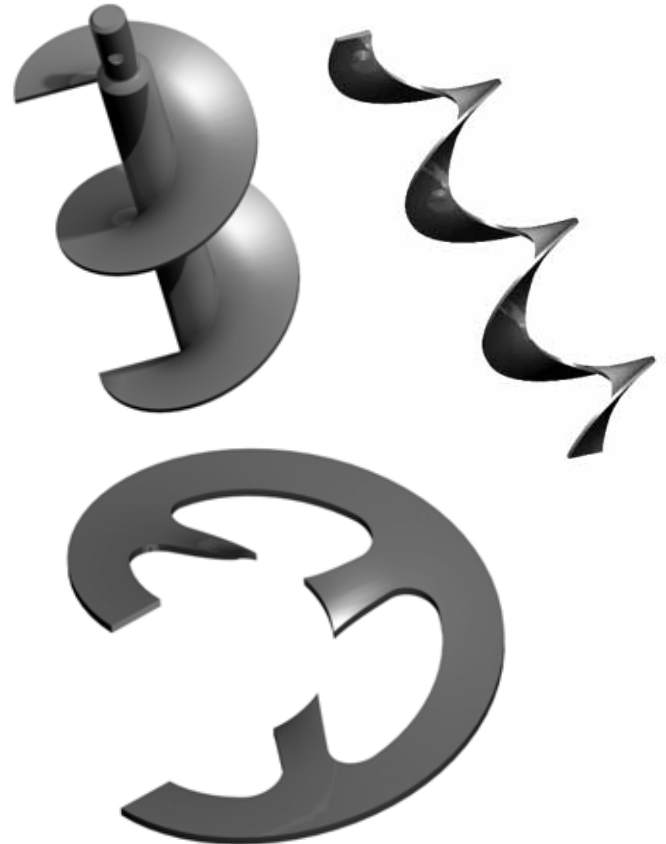
Flight Manufacturing | 13369 60th Street, Cokato, MN 55321 320.286.5581

With Pengo®, You Have It Made

Regardless of materials being moved, the dependability of your conveyor screw is a critical element in keeping your materials, production, and profits moving.

At Pengo® we have the expertise to take raw stock and turn it to the correct helical configuration to exactly meet your specifications. Our flame and plasma cutting, welding, forming, and sawing capabilities enable us to work materials to your specifications. With having a manual and CNC turning and milling services means we can fabricate virtually any screw or auger you require.

- Flame and plasma cutting on stock up to 4" thick
- Punching and notching
- Hard surfaced or machined OD's; OEM & replacement
- Small or large dimension drilling
- Plate and sheet shearing up to ½" thick
- Milling up to 33" x 82" CNC
- Press brake forming up to 200 tons
- Short & long run production work
- Sawing of stock up to 18" thick
- Fabricated steel plate assemblies
- Milling & turning up to 24" x 240"
- VTL & boring mill capabilities



Pengo® custom fabricates conveyor screws in a variety of materials, including (but not limited to):

- Stainless steel (most alloys)
- Monel steel (corrosion resistant)
- Carbon steel (most alloys)
- Inconel steel (corrosion resistant)
- Abrasion Resistant (AR) steel
- Bronze
- T-1 steel (impact/AR)
- Aluminum
- 11-14% Manganese steel (work hardening)



**Simplify Your Supply
Needs with Pengo
Versatility**

**Our complete, in-house hard facing applied to shaft outside diameter and
flighting provides extended wear life.**

Keep Your Production Up with Pengo® Assured Performance

That's why Pengo® is so important to you. Pengo® supplies custom designed conveyor screws, heavy-duty helical or sectional flighting on demand to original equipment manufacturers and after-market end users.

Everything built to your specifications. For more than 70 years, we've been a recognized leader in the conveyor screw manufacturing industry. This is know-how in which you can be confident. Pengo exceeds industry tolerances and meets your particular specifications perfectly. We work for speedy delivery and easy installation to help keep your production up and running.



You can Trust the Pengo® Metalworking Heritage

From very small designs to move the most delicate, flowable products, to very large screws to literally move mountains of bulk materials, Pengo brings a corporate metalworking history that reaches all the way back to 1878. Fabrication, conveyor screws, augers and flighting for more than seven decades, Pengo's history testifies to the reliability and long-life performance of Pengo products for our customers.

Save Money with Pengo® Controlled Cost Measures

No one knows how bulk materials have to move through your process better than you. Better than anyone, you know exactly the tolerances necessary to achieve optimum performance for every application. At Pengo®, our manufacturing practices meet or exceed industry required codes, standards and tolerances. We build to your supplied specifications, using your designated materials of manufacture, to help expedite fabrication and speed delivery of a finished part that fits perfectly into your machine. This helps avoid heavy engineering costs other manufactures may add on. You and your cash flow are protected.



Protect Your Production Process with Pengo® Quality Management



Reinforced support stanchions installed to reliably hold ribbon flighting.



Conveyor screw is ground and polished to meet customer requirements.

Quality control is second nature to Pengo® conveyor screw manufacturing. We place emphasis on in-process inspection capabilities. Also, Pengo® welders are AWS-certified. If your current conveyor screw supplier doesn't measure up to these quality inspection standards, you're not getting your money's worth in quality conveyor screws and parts. Our inspection tools/ measures include:

- Inspection Grade 4' x 6' Granite Plate.
- Gage Master Optical Comparitor Series Twenty with GM5 control.
- Federal Profilometer.



Every Pengo job is completed in accordance with all codes, standards and tolerances required by the customer.

Miscellaneous inspection gauging includes:

- Standard gage block sets
- Micrometers – ID and OD to 24"
- Bore gages to 24"
- Verniers to 80"
- Height gages to 24"
- Mitutoyo Height Stand with digital readout
- Thread Micrometers and Gages
- Thread & Plug Gages



Reduce Time Delays with Pengo® Responsiveness

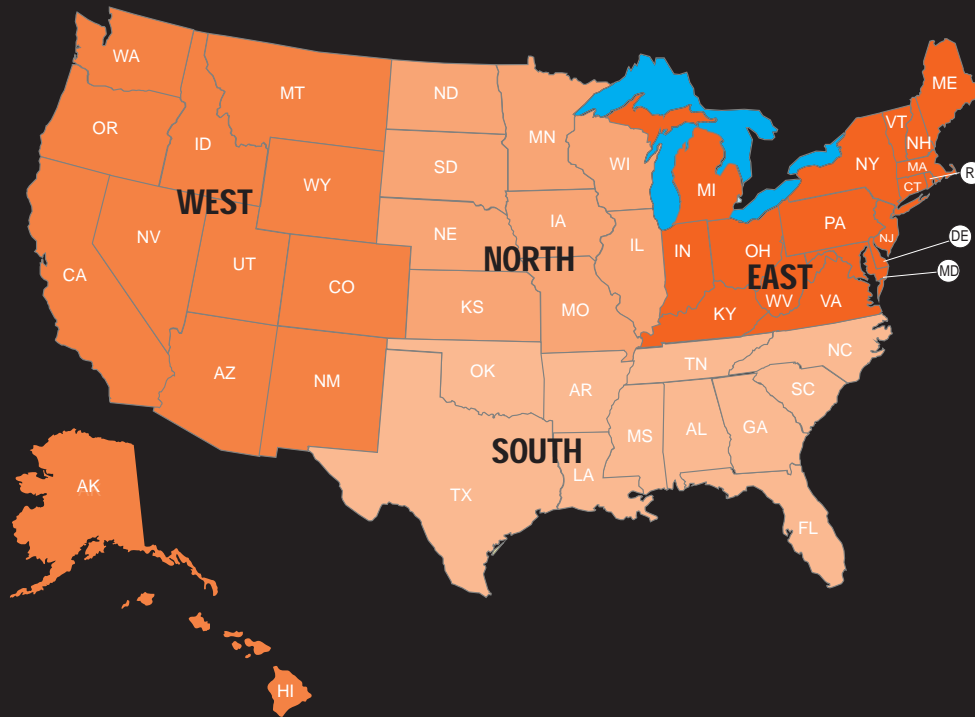
*Ground and polished to your specifications, your Pengo conveyor screws assure optimum material movement in your continuous or batch processing operations in mixing, agitating, spreading or material conveying applications. Solid, or tubular, continuous or sectional, with Pengo you can trust your conveyor screw will fit into your process system perfectly, with time-saving ease.

**Pengo contracts out this service, for more details please call us at 1-800-599-0211.*

Speed Cost-Effective Solutions with Pengo Request Quote Services

For a free conveyor screw or auger quote please contact us at 800-599-0211 ext. 41268. We've supplied helicoid, centerless, and sectional conveyor screws and flighting, pharmaceutical, chemical, mining, aggregate industrial applications, and material handling original equipment manufactures for over seventy years. Be a satisfied Pengo® customer!





PENGO SALES

| | |
|--|---|
| <i>Eric Hennarichs, Territory Manager, Eastern</i> | 317.286.8386 ehennarichs@pengoattachments.com |
| <i>Jack Bonomi, Territory Manager, Western</i> | 208.691.4489 jbonomi@pengoattachments.com |
| <i>Gerry Logan, Territory Manager, Northern</i> | 515.302.0206 glogan@pengoattachments.com |
| <i>Brad Blackstone, Territory Manager, Western</i> | 972.489.7361 bblackstone@pengoattachments.com |
| <i>Wendy Panbecker, Promotional Coordinator</i> | 712.841.7414 wpanbecker@pengattachments.com |
| <i>Kent Upton, Business Development Manager</i> | 336.210.3755 kupton@pengoattachments.com |
| <i>Dawn Jamison, Manager, OEM & Sales Administration</i> | 319.210.6895 djamison@pengoattachments.com |
| <i>Dana Scudder, VP Sales & Marketing</i> | 561.400.9311 dscudder@pengoattachments.com |

PENGO INSIDE SALES

| | |
|---|---|
| <i>Deanna Heuton, Customer Service Rep., Senior</i> | 800.599.0211 ext. 41212 dheuton@pengoattachments.com |
| <i>Tim Leith, Customer Service Rep.</i> | 800.599.0211 ext. 41224 tleith@pengoattachments.com |
| <i>Nicole Simpson, Customer Service Rep.</i> | 800.599.0211 ext. 41236 nsimpson@pengoattachments.com |
| <i>Hanna Rollefson, Customer Service Rep.</i> | 800.599.0211 ext. 41237 hrollefson@pengoattachments.com |

PENGO MANAGEMENT TEAM

| | |
|---|---|
| VP, General Manager, <i>Brian Rickards</i> | VP, Sales & Marketing, <i>Dana Scudder</i> |
| Manager, OEM & Sales Admin., <i>Dawn Jamison</i> | Division Controller, <i>John Ricke</i> |
| Engineering Manager, <i>Eric Matthias</i> | Human Resource Manager, <i>Connie Groat</i> |
| Operations Director, <i>Dennis Crisler</i> | |

PENGO
500 EAST HIGHWAY 10
LAURENS, IA 50554
PH: 800.599.0211 OR 712.845.2540
FX: 800.915.6904
WWW.PENGOATTACHMENTS.COM
PENGOSALES@PENGOATTACHMENTS.COM

© COPYRIGHT 2013 PENGO

Division of
 INTERNATIONAL
EQUIPMENT
SOLUTIONS
www.iesholdings.com