

Clamps, Grabs & Tongs

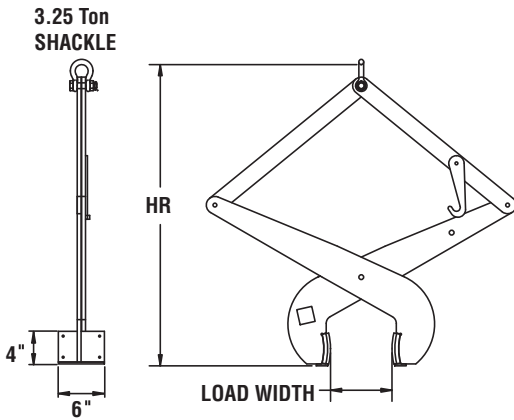
Model ST - Slab Tongs



PRODUCT FEATURES:

- Designed for lifting dry slabs of concrete, stone, or metal that must be protected from scratching or marring.
- Use in construction work to position slabs.
- The curved pads give proper contact for gripping smooth surfaces and handling a large range of sizes.
- Polyurethane gripping surfaces are standard.
- A manual latch is standard and locks the tong arms for easy placement on the load.
- Complies with ASME standards.

INSTOCK PROGRAM



SPECIFICATIONS

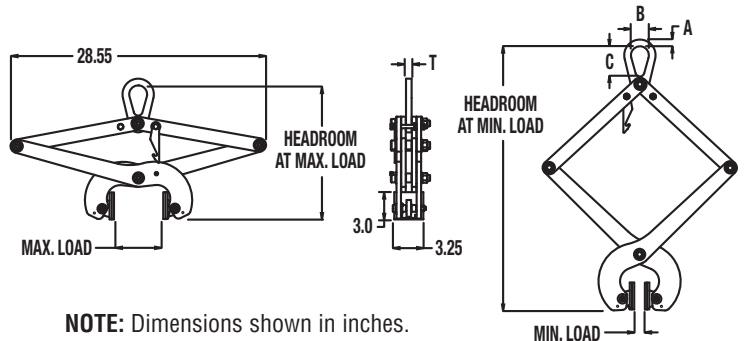
Model Number	Rated Capacity (lbs.)	Load Width (in.) Min. - Max.	HR Headroom (in.) Min. - Max.	Weight (lbs.)
71-0	1000	1 - 6	31.30 - 39.58	65
71-1	1000	6 - 10	29 - 41	75
71-2	1500	8 - 12	23.4 - 34.9	85
71-3	1500	10 - 14	28.6 - 41.2	145
71-4	1500	14 - 18	36.8 - 49.8	145
71-5	1500	18 - 22	45.4 - 60.1	150

Model 172 - Concrete Pressure Tong with Urethane Pads



PRODUCT FEATURES:

- Designed for handling cured concrete products.
- Automatically adjusts to the load size.
- Easy to release manual latch.
- Pivoting pads align with load surface for proper contact.
- Polyurethane pads grip surface without damage.
- Complies with ASME standards.



NOTE: Dimensions shown in inches.

SPECIFICATIONS

Model No	Rated Cap. (lbs.)	Dimensions (inches)							Weight (lbs.)
		Load Width Min - Max	Overall Width Min - Max	HR Headroom Min - Max	Bail				
					A	B	C	T	
172-1/4	550	1-3/16 - 5-1/2	21.8 - 28.8	13.5 - 29.5	11/16	1-11/16	2	11/16	25
172-1/2	1100	1-3/16 - 5-1/2	21.8 - 28.8	13.5 - 29.5	3/4	2	3-3/8	5/8	43
172-1	2200	1-3/8-6-3/32	32.6-36.6	16.7-29.5	11/16	2	3-1/8	3/4	93

NOTE: 1/4 ton unit has shackle lifting eye.

INSTOCK PROGRAM