

# Clamps, Grabs & Tongs

## Model CGCS - Grabs With Cam Pads

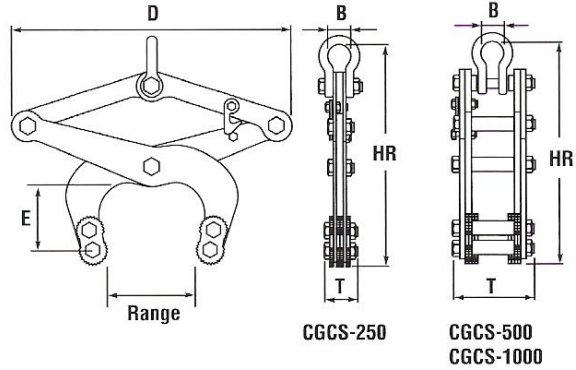
CLAMPS,  
GRABS &  
TONGS



**IN-STOCK PROGRAM**

### PRODUCT FEATURES:

- Designed for handling cured concrete products.
- Automatically adjusts to the load size.
- Easy to release manual latch.
- Serrated steel cams securely grip the load.
- Rotate gripping cams for longer field life.



### SPECIFICATIONS

Model Number	Rated Cap. (lbs.)	Dimensions (inches)						Weight (lbs.)
		Range Min. - Max.	HR Min. - Max.	B	D	E	T	
CGCS-250	551	1-3/16 - 6-19/64	11.22 - 16.93	1.38	17.91	2.76	1.57	16
CGCS-500	1100	1-3/16 - 6-19/64	11.22 - 16.93	1.38	17.91	2.76	4.41	27
CGCS-1000	2200	2-3/8 - 7-3/32	15.35 - 23.23	2.09	21.06	5.91	5.87	42

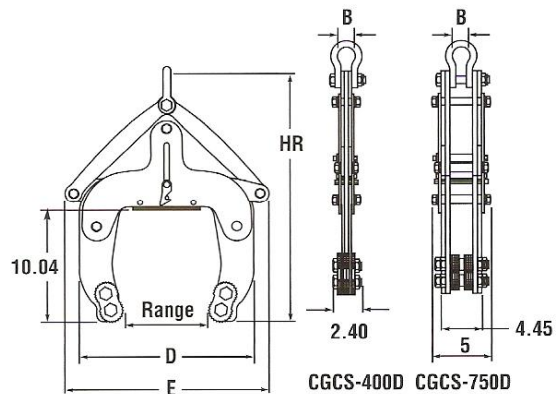
## Model CGCS-D - Grabs With Cam Pads



**IN-STOCK PROGRAM**

### PRODUCT FEATURES:

- Designed for handling cured concrete products.
- Automatically adjusts to the load size.
- Easy to release manual latch.
- Serrated steel cams securely grip the load.
- Rotate gripping cams for longer field life.



NOTE: Dimensions shown in inches.

### SPECIFICATIONS

Model Number	Rated Cap. (lbs.)	Dimensions (inches)					Weight (lbs.)
		Clamping Range Min. - Max.	HR	B	D Min.	E Max.	
CGCS-400D	881	1-9/16 - 6-7/8	29-5/8	1.57	15.55	18.11	31
CGCS-750D	1653	1-9/16 - 6-7/8	29-5/8	1.57	15.55	18.11	42